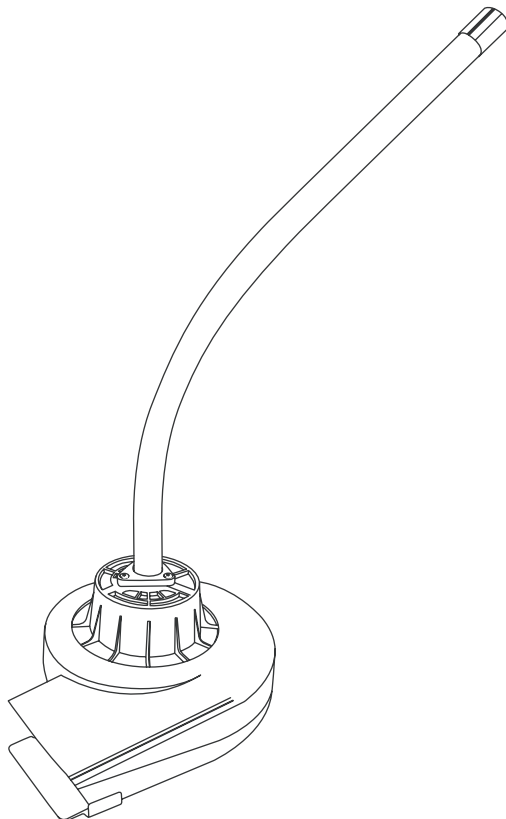
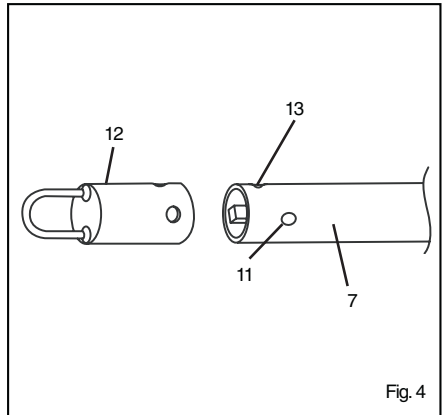
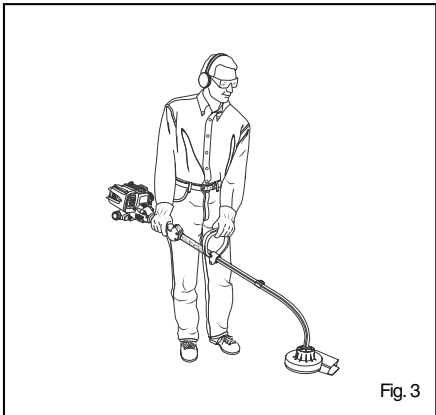
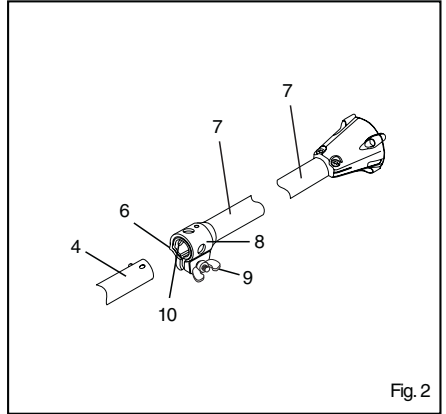
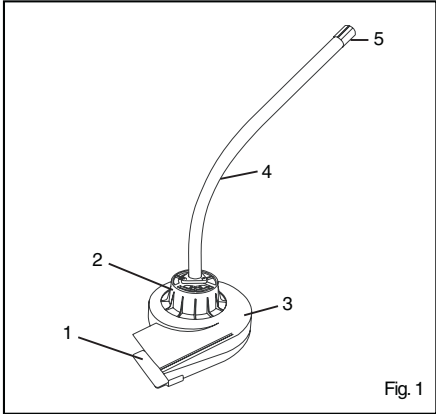


Expand~~o~~it™
Attachment System

ABE-03

BLOWER ATTACHMENT OPERATOR'S MANUAL





Important!






It is essential that you read the instructions in this manual before mounting and operating this machine.

Subject to technical modifications

English

SYMBOLS

Important: Some of the following symbols may be used on your tool. Please study them and learn their meaning. Proper interpretation of these symbols will allow you to operate the tool better and safer.

	NAME	EXPLANATION
	Safety Alert Symbol	Indicates danger, warning or caution. It means attention!!! Your safety is involved.
	Read Your Operator's Manual	Your manual contains special messages to bring attention to potential safety concerns as well as operating and servicing information. Please read all the information carefully to ensure satisfaction and safe use.
	Wear eye and hearing protection	Wear eye and hearing protection when operating this equipment.
	Keep bystanders away	Keep all bystanders at least 15 m away.
	Ricochet	Danger of Ricochet.



WARNING

Read and understand all instructions. Failure to follow all instructions listed below, may result in electric shock, fire and/or serious personal injury.

SAVE THESE INSTRUCTIONS.

GENERAL SAFETY RULES

- For safe operation, read and understand all instructions before using the attachment. Follow all safety instructions. Failure to follow all safety instructions listed below, can result in serious personal injury.
- Do not allow children or untrained individuals to use this unit.
- Wear safety glasses or goggles that are marked to comply with ANSI Z87.1 standards and hearing protection when operating this unit.
- Wear heavy long pants, boots, and gloves. Do not wear loose fitting clothing, short pants, jewelry of any kind, or go barefoot.
- Secure long hair so it is above shoulder level to prevent entanglement in any moving parts.
- Keep all bystanders, children, and pets at least 15 m away.
- Do not operate this unit when you are tired, ill, or under the influence of alcohol, drugs, or medication.
- Do not operate in poor lighting.
- Keep firm footing and balance. Do not overreach. Overreaching can result in loss of balance or exposure to hot surfaces.
- Keep all parts of your body away from any moving part.
- Do not touch areas around the muffler or cylinder of the power head, these parts get hot from operation. Failure to do so could result in possible serious personal injury.
- Always stop the engine and remove the spark plug wire before making any adjustments or repairs except for carburetor adjustments.
- Inspect unit before each use for loose fasteners, damaged or missing parts. Correct before using the attachment. Failure to do so can cause serious injury.
- Check for damaged parts. Before further use of the appliance, any part that is damaged should be carefully checked to determine that it will operate properly and perform its intended function. Check for alignment of moving parts, binding of moving parts, breakage of parts, mounting, and any other conditions that may affect its operation. A guard or other part that is damaged should be properly repaired or replaced by an authorized service center.

GENERAL SAFETY RULES

- Use only original manufacturer's replacement parts. Failure to do so, may cause poor performance, possible injury, and will void your warranty.
- Do not, under any circumstance, use any attachment or accessory on this product which was not provided with the product or identified as appropriate for use with this product in the Operator's Manual.

SPECIFIC SAFETY RULES FOR BLOWER USE


- Never direct air blast towards any persons, animals, plants, or delicate objects.
- Keep air intake clear of debris.
- Always stay clear of air intake while blower is running.
- Do not point blower in direction of people or pets.
- Wear a face mask in dusty conditions to reduce the risk of injury associated with the inhalation of dust.

DESCRIPTION

1. Air Outlet
2. Air Intake
3. Blower Housing
4. Blower Attachment Shaft
5. End Cap
6. Guide Recess
7. Power Head Shaft
8. Coupler
9. Knob
10. Positioning Hole
11. Button
12. Hanger Cap
13. Hanger Hole

ASSEMBLY

JOINING THE POWER HEAD TO THE BLOWER ATTACHMENT (Fig. 2)

-  **WARNING** Never attach or adjust any attachment while power head is running. Failure to stop the engine may cause serious personal injury.

The blower attachment connects to the power head by means of a coupler device.

- Loosen the knob (9) on the coupler (8) of the power head shaft (7) and remove the end cap (5) from the attachment shaft.

- Push in the button (11) located on the blower attachment shaft. Align the button with the guide recess (6) on the power head coupler and slide the two shafts together. Rotate the blower attachment shaft until the button locks into the positioning hole (10).
Note: If the button does not release completely in the positioning hole, the shafts are not locked into place. Slightly rotate from side to side until the button is locked into place.
- Tighten the knob securely.



WARNING

Be certain the knob is fully tightened before operating equipment; check it periodically for tightness during use to avoid serious injury or product damage.

REMOVING THE ATTACHMENT FROM THE POWER HEAD

For removing or changing the attachment:

- Loosen the knob.
- Push in the button and twist the shafts to remove and separate ends.

OPERATION

OPERATION USING THE BLOWER ATTACHMENT (Fig. 3)

When using the blower attachment, hold the unit with the right hand on the rear handle and the left hand on the front handle. Keep a firm grip with both hands while in operation. The blower should be held at a comfortable position with the rear handle about hip height.

Note: Carry the unit slightly above ground level. Do not drag or push it along on the ground as the housing will wear quickly.

OPERATING TIPS

- So that you may become accustomed to the blower operation, start the engine and let it warm up. At idle, you will find that no air is moving because the clutch is disengaged. As you gradually increase the engine speed to full throttle, you will find that the air force increases also.
- The blower produces a strong air blast when operated at full speed and the air force is directly controlled by the engine speed.

OPERATION

- In many situations it is not necessary to use the full power of the blower, in fact it is not advisable in some applications. When using the blower in tight quarters, such as corners of patios and garages, full power is not usually required. A somewhat slower speed will do the same job effectively without the turbulence created by full power operation. This turbulence only carries the blown material back into the corner and produces floating dust.
- To keep from scattering debris, blow around the outer edges of a debris pile. Never blow directly into the center of a pile.
- You will find that it is no longer necessary to move objects to effectively clean around them. A simple blast from the blower will move debris from those difficult to reach and often impossible to clean areas.
- The ground level air blast is ideal for practically all sweeping jobs.

MAINTENANCE

- The blower attachment is maintenance free except for an occasional check for debris that may have accumulated on top of the fan. Strong vibrations during use is a sure sign that something has become lodged in the fan. Stop the engine, disconnect the coupling, remove the attachment from the power head, and remove the debris.
- Never operate a unit that is damaged, improperly adjusted, or is not completely and securely assembled.

- Always stop the engine before making any adjustments or repairs.
- Inspect the unit before each use for loose fasteners and damaged or missing parts. Replace any parts that are cracked, chipped, or damaged in any way. Failure to do so can cause serious injury.
- Make sure all handles are properly and securely attached.

STORING THE BLOWER ATTACHMENT

Store the blower attachment in a well ventilated place that is inaccessible to children. Keep away from corrosive agents such as garden chemicals and de-icing salts.

To remove the blower attachment from the power head for storage:

- Loosen the knob on the coupler device.
- Push the button (11) in, then twist the shafts to remove and separate the power head from the attachment.

For storing information: Please refer to the operator's manual of your power head.

ATTACHING THE STORAGE HANGER (Fig. 4)

There are two ways to hang your attachment for storage.

- To use the hanger cap (12), push in the button and place the hanger cap over end of the blower attachment's shaft. Slightly rotate the cap from side to side until the button locks into place.
- The hanger hole (13) in the blower attachment shaft can be used for hanging purposes as well.

RYOBI TECHNOLOGIES AUSTRALIA PTY. LTD.

GUARANTEE



Subject to the guarantee condition below, this Ryobi tool (hereinafter called "the product") is guaranteed by Ryobi (hereinafter called "the Company") to be free from defects in material or workmanship for a period of 24 months from the date of original purchase covering both parts and labour. Under the terms of this guarantee, the repair or replacement of any part shall be the opinion of the Company or its authorised agent. Should service become necessary during the warranty period, the owner should contact the RYOBI HELPLINE 1300 361 505 or contact the retailer from whom the product was purchased.

In order to obtain guarantee service, the owner must present the sales docket and Guarantee Certificate to confirm date of purchase. This product is sold by the dealer or agent as principal and the dealer has no authority from the Company to give any additional guarantee on the Company's behalf except as herein contained or herein referred to.

Guarantee Conditions

This guarantee only applies provided that the Product has been used in accordance with the manufacturer's recommendations under normal use and reasonable care (in the opinion of the Company) and such

guarantee does not cover damage, malfunction or failure resulting from misuse, neglect, abuse, or used for a purpose for which it was not designed or is not suited and no repairs, alterations or modifications have been attempted by other than an Authorised Service Agent. This guarantee will not apply if the tool is damaged by accident or if repairs arise from normal wear and tear.

The Company accepts no additional liability pursuant to this guarantee for the costs of travelling or transportation of the Product or parts to and from the service dealer or agent - such costs are not included in this guarantee.

Certain legislation, including the Trade Practices Act, 1974 (as amended) and other state and territorial laws give rights to the buyer and impose liability on the seller in certain circumstances. Nothing herein shall have the effect of excluding, restricting or modifying any condition, guarantee, right or liability imposed, to the extent only that such exclusion, restriction or modification would render any term herein void.

RYOBI.

RYOBI TECHNOLOGIES AUSTRALIA PTY. LTD.

A.B.N. 98 002 277 509

SYDNEY: Building B, Rosehill Industrial Estate, 3-5 Shirley Street, Rosehill N.S.W. 2142

Contact during normal business hours.

Tel: 1300 361 505 - Fax: 1800 807 993 - www.ryobi.com.au

BRISBANE : All enquiries Tel : 1300 361 505
TOWNSVILLE: All enquiries Tel : 1300 361 505
MELBOURNE: All enquiries Tel : 1300 361 505

HOBART: All enquiries Tel : 1300 361 505
ADELAIDE: All enquiries Tel : 1300 361 505
PERTH: 33-35 Sorbonne Cres. Canning Vale, W.A. 6155
Tel : (08) 9455 7775

RYOBI NEW ZEALAND PTY. LTD.

AUCKLAND: 27 Clemow Drive, Mt Wellington, N.Z.

Tel: (09) 573 0230 - Free Call: 0800 279 624 - Fax: (09) 573 0231 - www.ryobi.co.nz

Contact during normal business hours.

This Guarantee Form Should Be Retained By The Customer At All Times

For your record and to assist in establishing date of purchase (necessary for in-guarantee service) please keep your purchase docket and this form completed with the following particulars.

Address Of Dealer _____

Date _____ Model No _____ Serial No _____

Present This Form With Your Purchase Docket When Guarantee Service Is Required.