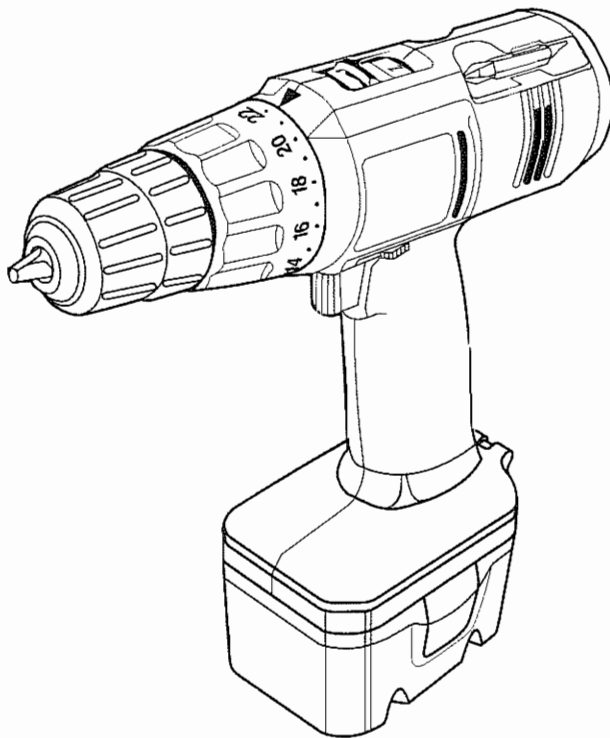


# **RYOBI** OPERATOR'S MANUAL CORDLESS DRILL-DRIVER MODEL NO. CDL1442P4/CDL1802P4



## **THANK YOU FOR BUYING A RYOBI CORDLESS DRILL-DRIVER.**

Your new cordless drill-driver has been engineered and manufactured to Ryobi's high standard for dependability, ease of operation, and operator safety. Properly cared for, it will give you years of rugged, trouble-free performance.

**⚠ CAUTION: Carefully read through this entire operator's manual before using your new cordless drill-driver.**

Pay close attention to the Rules for Safe Operation, Warnings, and Cautions. If you use your cordless drill-driver properly and only for what it is intended, you will enjoy years of safe, reliable service.

Thank you again for buying Ryobi tools.

**SAVE THIS MANUAL FOR FUTURE REFERENCE**



## TABLE OF CONTENTS

■ General Safety Rule .....	2-3
■ Specific Safety Rules/Symbols .....	3-5
■ Features .....	5
■ Specifications .....	6
■ Important Information For Recharging Hot Batteries .....	6
■ Operation .....	7-13
■ Maintenance .....	14
■ Parts Ordering / Service .....	15

## GENERAL SAFETY RULES



### WARNING:

Read and understand all instructions. Failure to follow all instructions listed below, may result in electric shock, fire and/or serious personal injury.

### SAVE THESE INSTRUCTIONS

#### Work Area

- **Keep your work area clean and well lit.** Cluttered benches and dark areas invite accidents.
- **Do not operate power tools in explosive atmospheres, such as in the presence of flammable liquids, gases, or dust.** Power tools create sparks which may ignite the dust or fumes.
- **Keep bystanders, children, and visitors away while operating a power tool.** Distractions can cause you to lose control.

#### Electrical Safety

- **Do not abuse the cord.** Never use the cord to carry the charger. Keep cord away from heat, oil, sharp edges, or moving parts. Replace damaged cords immediately. Damaged cords may create a fire.
- **A battery operated tool with integral batteries or a separate battery pack must be recharged only with the specified charger for the battery.** A charger that may be suitable for one type of battery may create a risk of fire when used with another battery. Use battery only with charger listed.

MODEL	BATTERY	CHARGING ASSEMBLY/CHARGER
CDL1442P4	130224017	2601050
CDL1802P4	130109020	2601038

- **Use battery operated tool only with specifically designated battery pack.** Use of any other batteries may create a risk of fire. Use only with battery pack listed.

#### Personal Safety

- **Stay alert, watch what you are doing and use common sense when operating a power tool. Do not use tool while tired or under the influence of drugs, alcohol, or medication.** A moment of inattention while operating power tools may result in serious personal injury.
- **Dress properly. Do not wear loose clothing or jewelry. Contain long hair. Keep your hair, clothing, and gloves away from moving parts.** Loose clothes, jewelry, or long hair can be caught in moving parts.
- **Avoid accidental starting. Be sure switch is in the locked or off position before inserting battery pack.** Carrying tools with your finger on the switch or inserting the battery pack into a tool with the switch on, invites accidents.
- **Remove adjusting keys or wrenches before turning the tool on.** A wrench or a key that is left attached to a rotating part of the tool may result in personal injury.
- **Do not overreach. Keep proper footing and balance at all times.** Proper footing and balance enable better control of the tool in unexpected situations. Do not use on a ladder or unstable support.
- **Use safety equipment. Always wear eye protection.** Dust mask, non-skid safety shoes, hard hat, or hearing protection must be used for appropriate conditions.

# GENERAL SAFETY RULES

## Tool Use and Care

- Use clamps or other practical way to secure and support the workpiece to a stable platform. Holding the work by hand or against your body is unstable and may lead to loss of control.
- Do not force tool. Use the correct tool for your application. The correct tool will do the job better and safer at the rate for which it is designed.
- Do not use tool if switch does not turn it on or off. A tool that cannot be controlled with the switch is dangerous and must be repaired.
- Disconnect battery pack from tool before making any adjustments, changing accessories, or storing the tool. Such preventive safety measures reduce risk of starting the tool accidentally.
- Store idle tools out of reach of children and other untrained persons. Tools are dangerous in the hands of untrained users.
- When battery pack is not in use, keep it away from other metal objects like: paper clips, coins, keys, nails, screws, or other small metal objects that can make a connection from one terminal to another. Shorting the battery terminals together may cause sparks, burns, or a fire.

- Maintain tools with care. Keep cutting tools sharp and clean. Properly maintained tools, with sharp cutting edges are less likely to bind and are easier to control.
- Check for misalignment or binding of moving parts, breakage of parts, and any other condition that may affect the tool's operation. If damaged, have the tool serviced before using. Many accidents are caused by poorly maintained tools.
- Use only accessories that are recommended by the manufacturer for your model. Accessories that may be suitable for one tool, may create a risk of injury when used on another tool.

## Service

- Tool service must be performed only by authorized repair personnel. Service or maintenance performed by unqualified personnel could result in a risk of injury.
- When servicing a tool, use only identical replacement parts. Follow instructions in the Maintenance section of this manual. Use of unauthorized parts or failure to follow Maintenance Instructions may create a risk of shock or injury.

# SPECIFIC SAFETY RULES AND/OR SYMBOLS

Hold tool by insulated gripping surfaces when performing an operation where the cutting tool may contact hidden wiring. Contact with a "live" wire will make exposed metal parts of the tool "live" and shock the operator.

## Additional Rules For Safe Operation

- Know your power tool. Read operator's manual carefully. Learn its applications and limitations, as well as the specific potential hazards related to this tool. Following this rule will reduce the risk of electric shock, fire, or serious injury.
- Make sure your extension cord is in good condition. When using an extension cord, be sure to use one heavy enough to carry the current your product will draw. A wire gage size (A.W.G.) of at least 16 is recommended for an extension cord 100 feet or less in length. A cord exceeding 100 feet is not recommended. If in doubt, use the next heavier gage. The smaller the gage number, the heavier the cord. An undersized cord will cause a drop in line voltage resulting in loss of power and overheating.

## Important Rules for Battery Tools

- Battery tools do not have to be plugged into an electrical outlet; therefore, they are always in operating condition. Be aware of possible hazards when

not using your battery tool or when changing accessories. Following this rule will reduce the risk of electric shock, fire, or serious personal injury.

- Do not place battery tools or their batteries near fire or heat. This will reduce the risk of explosion and possible injury.
- Do not charge battery tool in a damp or wet location. Following this rule will reduce the risk of electric shock.
- For best results, your battery tool should be charged in a location where the temperature is between 10°C and 37°C.
- Under extreme usage or temperature conditions, battery leakage may occur. If liquid comes in contact with your skin, wash immediately with soap and water, then neutralize with lemon juice or vinegar. If liquid gets into your eyes, flush them with clean water for at least 10 minutes, then seek immediate medical attention. Following this rule will reduce the risk of serious personal injury.

## SPECIFIC SAFETY RULES AND/OR SYMBOLS

### Important Safety Instructions For Charger

- **Save these instructions.** This manual contains important safety and operating instructions for charger. Following this rule will reduce the risk of electric shock, fire, or serious personal injury.
- **Before using battery charger, read all instructions and cautionary markings in this manual, on battery charger, and product using battery charger.** Following this rule will reduce the risk of electric shock, fire, or serious personal injury.
- **To reduce risk of injury, charge only nickel-cadmium type rechargeable batteries. Other types of batteries may burst causing personal injury and damage.** Following this rule will reduce the risk of electric shock, fire, or serious personal injury.
- **Do not expose charger to rain or snow.** Following this rule will reduce the risk of electric shock, fire, or serious personal injury.
- **Use of an attachment not recommended or sold by the battery charger manufacturer may result in a risk of fire, electric shock, or injury to persons.** Following this rule will reduce the risk of electric shock, fire, or serious personal injury.
- **To reduce risk of damage to charger body and cord, pull by charger plug rather than cord when disconnecting charger.** Following this rule will reduce the risk of electric shock, fire, or serious personal injury.
- **Make sure cord is located so that it will not be stepped on, tripped over, or otherwise subjected to damage or stress.** Following this rule will reduce the risk of serious personal injury.
- **An extension cord should not be used unless absolutely necessary.** Use of improper extension cord could result in a risk of fire and electric shock. If extension cord must be used, make sure:
  - a. That pins on plug of extension cord are the same number, size and shape as those of plug on charger.
  - b. That extension cord is properly wired and in good electrical condition; and
  - c. That wire size is large enough for AC ampere rating of charger.

- **Do not operate charger with a damaged cord or plug. If damaged, have replaced immediately by a qualified serviceman.** Following this rule will reduce the risk of electric shock, fire, or serious personal injury.
- **Do not operate charger if it has received a sharp blow, been dropped, or otherwise damaged in any way; take it to a qualified serviceman.** Following this rule will reduce the risk of electric shock, fire, or serious personal injury.
- **Do not disassemble charger; take it to a authorized serviceman when service or repair is required. Incorrect reassembly may result in a risk of electric shock or fire.** Following this rule will reduce the risk of electric shock, fire, or serious personal injury.
- **To reduce the risk of electric shock, unplug charger from outlet before attempting any maintenance or cleaning. Turning off controls will not reduce this risk.** Following this rule will reduce the risk of electric shock, fire, or serious personal injury.
- **Disconnect charger from power supply when not in use.** Following this rule will reduce the risk of electric shock, fire, or serious personal injury.



### **DANGER:**

**RISK OF ELECTRIC SHOCK. DO NOT TOUCH UNINSULATED PORTION OF OUTPUT CONNECTOR OR UNINSULATED BATTERY TERMINAL.**

- **Save these instructions. Refer to them frequently and use them to instruct others who may use this tool. If you loan someone this tool, loan them these instructions also.** Following this rule will reduce the risk of electric shock, fire, or serious personal injury.
- **The charger should not be used by young or infirm persons unless supervised.** Young children should be supervised to ensure they do not play with the charger.



## WARNING:

Some dust created by power sanding, sawing, grinding, drilling, and other construction activities contains chemicals known to cause cancer, birth defects or other reproductive harm. Some examples of these chemicals are:

- lead from lead-based paints,
- crystalline silica from bricks and cement and other masonry products, and
- arsenic and chromium from chemically-treated lumber.

Your risk from these exposures varies, depending on how often you do this type of work. To reduce your exposure to these chemicals: work in a well ventilated area, and work with approved safety equipment, such as those dust masks that are specially designed to filter out microscopic particles.

## SYMBOLS

SYMBOL	NAME	DESIGNATION/EXPLANATION
V	Volts	Voltage
A	Amperes	Current
Hz	Hertz	Frequency (cycles per second)
min	Minutes	Time
~	Alternating Current	Type or a characteristic of current
—	Direct Current	Type or a characteristic of current
$n_0$	No Load Speed	Rotational speed, at no load
.../min	Revolutions or Reciprocation Per Minute	Revolutions, strokes, surface speed, orbits etc. per minute
	Safety Alert Symbol	Indicates danger, warning or caution. It means attention!!! Your safety is involved.

## FEATURES

### DEFINITIONS

- A) **DANGER:** Failure to obey a safety warning will result in serious injury to yourself or to others. Always follow the safety precautions to reduce the risk of fire, electric shock and personal injury.
- B) **WARNING:** Failure to obey a safety warning can result in serious injury to yourself or to others. Always follow the safety precautions to reduce the risk of fire, electric shock and personal injury.
- C) **CAUTION:** Failure to obey a safety warning may result in property damage or personal injury to yourself or to others. Always follow the safety precautions to reduce the risk of fire, electric shock and personal injury.
- D) **NOTE:** Advises you of information or instructions vital to the operation or maintenance of the equipment.

**SPECIFICATIONS:**

	<b>CDL1442P4</b>	<b>CDL1802P4</b>
Chuck	10mm Keyless	10mm Keyless
Motor	14.4V DC 600	18V DC 700
Switch	Variable Speed	Variable Speed
No Load Speed	0 - 350/0-1200RPM	0 - 400/0-1350RPM
Clutch	24 Positions	24 Positions
Charger Input	240V, 50 Hz, AC Only	240V, 50 Hz, AC Only
Charge Rate	1 Hour	1 Hour
Battery Capacity	1.3 Ah	1.5 Ah

**IMPORTANT INFORMATION FOR RECHARGING HOT BATTERIES**

When using your drill-driver continuously, the batteries in your battery pack become hot. You should let a hot battery pack cool down for approximately 30 minutes before attempting to recharge.

**Note:** This situation occurs when continuous use of your drill-driver causes the batteries to become hot. It does not

occur under normal circumstances. Refer to "**Charging Your Impact Drill-Driver**" for normal recharging of batteries. If the charger/charging assembly does not charge your battery pack under normal circumstances, return **both** the battery pack and charger/charging assembly to your nearest **Ryobi Authorized Service Center** for electrical check.



**WARNING:**



The operation of any power tool can result in foreign objects being thrown into your eyes, which can result in severe eye damage. Before beginning power tool operation, always wear safety goggles or safety glasses with side shields and a full face shield when needed. We recommend Wide Vision Safety Mask for use over eyeglasses or standard safety glasses with side shields.

# OPERATION

## KNOW YOUR DRILL-DRIVER

See Figure 1.

Before attempting to use any tool, familiarize yourself with all operating features and safety requirements.



### WARNING:

Do not allow familiarity with tools to make you careless. Remember that a careless fraction of a second is sufficient to inflict severe injury.

## LED FUNCTION OF CHARGER 2601038/2601050

See Figure 2.

### LED WILL BE LIGHTED TO INDICATE STATUS OF CHARGER AND BATTERY PACK:

- Red LED lighted = Fast Charging Mode
- Green LED lighted = Fully Charged Battery Pack
- Yellow and Green LED Lighted = Control Charge or Defective Battery Pack.

## CHARGING YOUR DRILL-DRIVER

The battery pack for this tool has been shipped in a low charge condition to prevent possible problems. Therefore, you should charge it prior to use.

**NOTE:** Batteries will not reach full charge the first time they are charged. Allow several cycles (cutting followed by re-charging) for them to fully charge.

- Charge battery pack only with the charger provided.
- **Make sure power supply is normal house voltage, 240 Volts, 50 Hz, AC only.**
- Connect charger to power supply.
- Place battery pack in charger. See Figure 2. Align raised rib on battery pack with groove in charger.
- Press down on battery pack to be sure contacts on battery pack engage properly with contacts in charger. When properly connected, red light will turn on.
- Normally, the yellow and green lights on the charger will come on. This indicates charger is in control charge mode and should switch to fast charge mode within 5 minutes. When charger is in fast charge mode the red light will come on. If after a period of 15 minutes the yellow and green lights remain on, remove the battery pack, wait 1 minute and reinsert battery pack in charger. If the yellow and green lights continue to remain on an additional 15 minutes, the battery pack is damaged and will not accept charge.
- When your battery pack becomes fully charged, the red light will turn off and the green light will turn on.
- After normal usage, 1 hour of charge time is required to be fully charged. A minimum charge time of 1 to 1-1/2 hours is required to recharge a completely discharged tool.
- The battery pack will become slightly warm to the touch while charging. This is normal and does not indicate a problem.

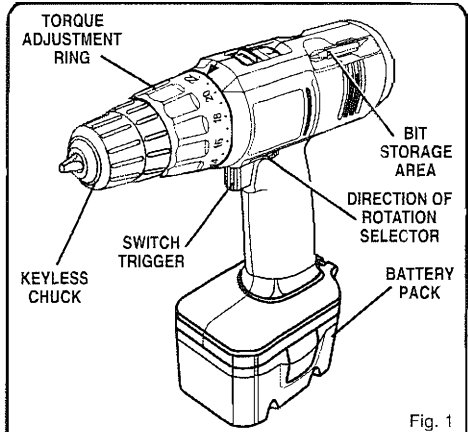


Fig. 1

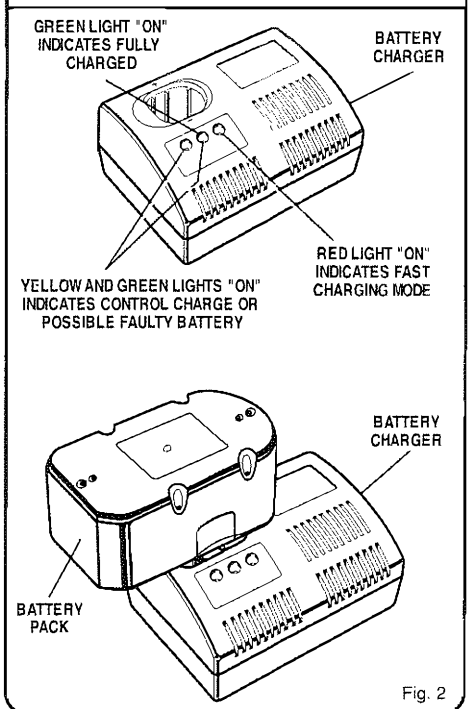


Fig. 2

- Do not place charger in an area of extreme heat or cold. It will work best at normal room temperature.
- When the batteries become fully charged, unplug your charger from power supply and remove the battery pack.

# OPERATION

## TWO SPEED GEAR TRAIN

See Figure 3.

Your drill has a two-speed gear train designed for drilling or driving at **LO (1)** or **HI (2)** speeds. A slide switch is located on top of your drill to select either **LO (1)** or **HI (2)** speed. When using drill in the **LO (1)** speed range, speed will decrease and unit will have more power and torque. When using drill in the **HI (2)** speed range, speed will increase and unit will have less power and torque. Use **LO (1)** speed for high power and torque applications and **HI (2)** speed for fast drilling or driving applications.

## IMPORTANT SAFETY WARNING!

**CORDLESS CUTTING TOOLS CAN BE EXTREMELY DANGEROUS IF NOT HANDLED CORRECTLY AND WITH PROPER CAUTION.**

Once the battery pack is attached to the cutting tool, the cutting

- Use extreme caution when operating the tools.
- Never leave the battery pack attached when the tool is not in use.
- Never get into the habit of activating the trigger switch when you do not intend to use the tool immediately.
- Always keep out of reach of children and never let inexperienced user operate the tool without them firstly thoroughly reading and understanding the safety and operating instructions in the owners manual.
- Never leave the battery pack attached to the tool when changing blade or making setting adjustments to the tools.
- The appliance is not intended for use by young children or infirm persons without supervision.
- Young children should be supervised to ensure that they do not play with the appliance.

**Failure to follow these safety instructions can result in accidental starting, causing serious injury to your self or others.**



### WARNING:

If any parts are missing, do not operate tool until the missing parts are replaced. Failure to do so could result in possible serious personal injury.

## SWITCH

See Figure 4.

Your drill starts and stops by depressing and releasing the switch trigger.

Your drill has a variable speed feature in the switch. The switch delivers higher speed and torque with increased trigger pressure. Speed is controlled by the amount of switch trigger depression.

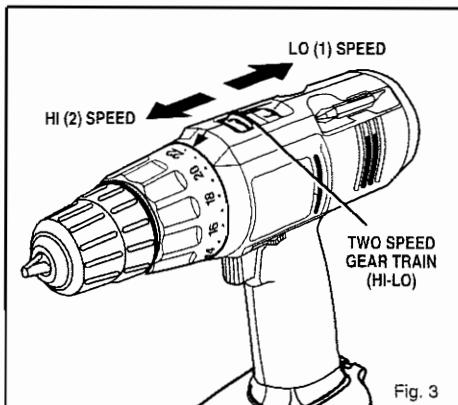


Fig. 3

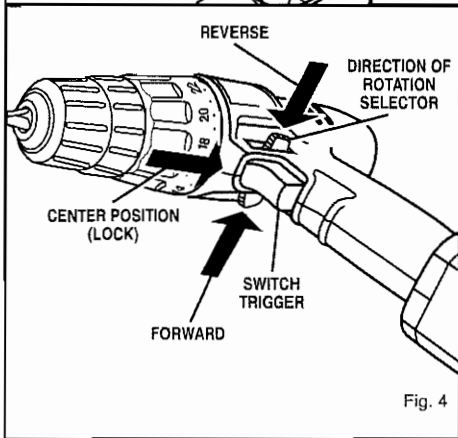


Fig. 4

## SWITCH LOCK

See Figure 4.

The switch trigger can be locked in the **OFF** position. This feature helps reduce the possibility of accidental starting when not in use. To lock the switch trigger, place the direction of rotation selector in the center position.

## TO INSTALL BATTERY PACK

- Place the direction of rotation selector in center position. See Figure 4.
- Place the battery pack in your drill. Align raised rib on battery pack with groove in drill's battery port. See Figure 5.
- Make sure the latches on each side of your battery pack snap in place and that battery pack is secured in drill before beginning operation.

# OPERATION

## TO REMOVE BATTERY PACK

- Place the direction of rotation selector in center position. *See Figure 4.*
- Locate latches on side of battery pack and depress both sides to release battery pack from your drill. *See Figure 5.*
- Remove battery pack from your drill.



### CAUTION:

When placing battery pack in your drill, be sure raised rib on battery pack aligns with groove in drill's battery port and latches snap in place properly. Improper assembly of battery pack can cause damage to internal components.

## REVERSIBLE

*See Figure 4.*

This tool is reversible. The direction of rotation is controlled by a selector located above the switch trigger. With the drill held in normal operating position, the direction of rotation selector should be positioned to the left of the switch for drilling. The drilling direction is reversed when the selector is to the right of the switch. When the selector is in center position, the switch trigger is locked.



### CAUTION:

To prevent gear damage, always allow chuck to come to a complete stop before changing the direction of rotation.

To stop, release switch trigger and allow the chuck to come to a complete stop.



### WARNING:

Battery tools are always in operating condition. Therefore, switch should always be locked when not in use or when carrying at your side.

## KEYLESS CHUCK

*See Figure 6.*

A keyless chuck has been provided with your drill to allow for easy installation and removal of bits. As the name implies, you can hand tighten or release drill bits in the chuck jaws. Grasp and hold the collar of the chuck with one hand. Rotate the chuck body with your other hand. The arrows on the chuck indicate which direction to rotate the chuck body in order to **GRIP** (tighten) or **RELEASE** (unlock) the drill bit.

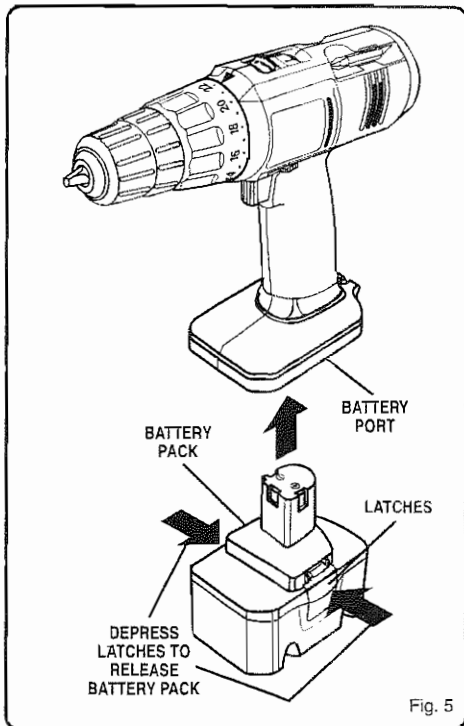


Fig. 5

# OPERATION

## WARNING:

Do not hold the chuck body with one hand and use the power of the drill to tighten chuck jaws on drill bits. Chuck body could slip in your hand or your hand could slip and come in contact with rotating drill bit, an accident resulting in serious personal injury.

## INSTALLING BITS

- Place the direction of rotation selector in center position. See Figure 4. This will turn off the power to your drill.
- Open or close the chuck jaws to a point where the opening is slightly larger than the bit size you intend to use. Also, raise the front of your drill slightly to keep the bit from falling out of the chuck jaws.
- Insert your drill bit into the chuck the full length of the jaws. See Figure 7.
- Tighten the chuck jaws on the drill bit. To tighten, grasp and hold the collar of the chuck with one hand, while rotating the chuck body with your other hand.

**Note:** Rotate the chuck body in the direction of the arrow marked **GRIP** to tighten the chuck jaws. Wrench to tighten or loosen the chuck jaws.

## WARNING:

Do not insert drill bit into chuck jaws and tighten as shown in figure 8. This could cause drill bit to be thrown from drill resulting in possible serious personal injury or damage to the chuck.

## REMOVING BITS

See Figure 7.

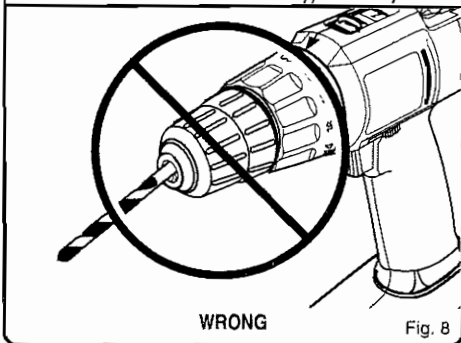
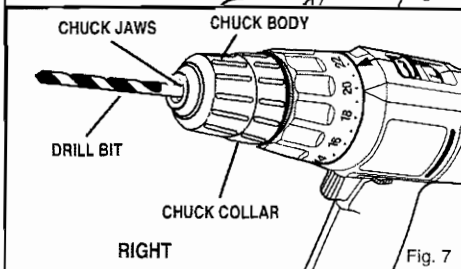
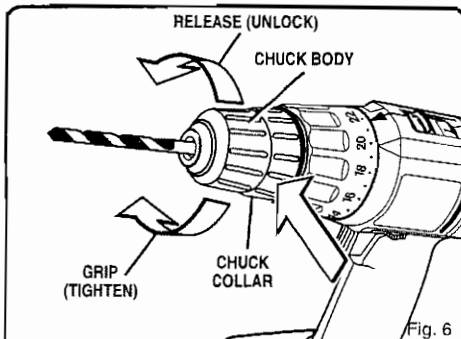
- Place the direction of rotation selector in center position. See Figure 4. This will turn off the power to your drill.
- Loosen the chuck jaws from drill bit.
- To loosen: grasp and hold the collar of the chuck with one hand, while rotating chuck body with your other hand. **Note:** Rotate chuck body in the direction of the arrow marked **RELEASE** to loosen chuck jaws.
- **DO NOT** use a wrench to tighten or loosen the chuck jaws.
- Remove drill bit from chuck jaws.

## SCREWDRIVING

### TORQUE ADJUSTMENT

#### (Driving power of your drill-driver)

When using your drill-driver for various driving applications, it becomes necessary to increase or decrease the torque in order to help prevent the possibility of damaging screw heads, threads, workpiece, etc. In general, torque should correspond to the intensity of the screw diameter. If the torque is too high or the screws too small, the screws may be damaged or broken.




The torque is adjusted by rotating the torque adjustment ring. See Figure 9. The torque is greater when the torque adjustment ring is set on a higher setting. The torque is less when the torque adjustment ring is set on a lower setting.

The proper setting depends on the type of material and the size of screw you are using.

# OPERATION

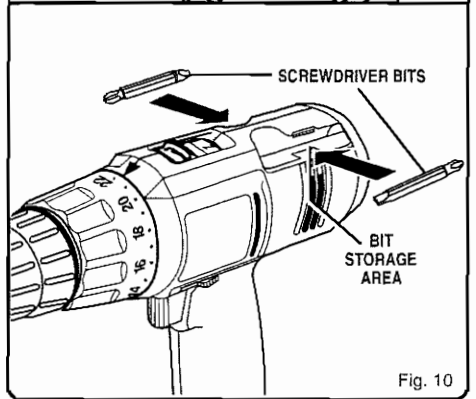
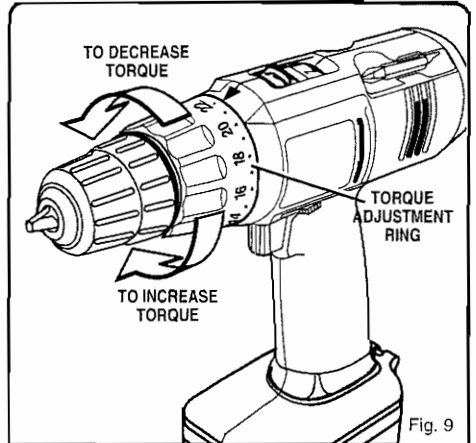
## TO ADJUST TORQUE

- Identify the twenty four torque indicator settings located on the front of your drill. See *Figure 9*.
- Rotate adjustment ring to the desired setting.
  - 1 - 4 For driving small screws.
  - 5 - 8 For driving screws into soft material.
  - 9 - 12 For driving screws into soft and hard materials.
  - 13 - 16 For driving screws in hard wood.
  - 17 - 20 For driving large screws.
  - 21 -  For heavy drilling.

## BIT STORAGE

See *Figure 10*.

When not in use, bits provided with your drill can be placed in the storage area located on the top of your drill as shown in figure 10.



# OPERATION

## WARNING:

Always wear safety goggles or safety glasses with side shields when operating tool. Failure to do so could result in objects being thrown into your eyes, resulting in possible serious injury.

## DRILLING

See Figure 11.

When drilling hard, smooth surfaces, use a center punch to mark the desired hole location. This will prevent the drill bit from slipping off center as the hole is started. However, the lower speed feature allows starting holes without center punching if desired. To accomplish this, simply operate your drill at lower speed until the hole is started.

The material to be drilled should be secured in a vise or with clamps to keep it from turning as the drill bit rotates.

Hold tool firmly and place the bit at the point to be drilled. Depress the switch trigger to start tool.

Move the drill bit into the workpiece, applying only enough pressure to keep the bit cutting. Do not force or apply side pressure to elongate a hole.

## WARNING:

Be prepared for binding or bit breakthrough. When these situations occur, the drill has a tendency to grab and kick opposite to the direction of rotation and could cause loss of control when breaking through material. If you are not prepared, this loss of control can result in possible serious injury.

When drilling metals, use a light oil on the drill bit to keep it from overheating. The oil will prolong the life of the bit and increase the drilling action.

If the bit jams in workpiece or if the drill stalls, release switch trigger immediately. Remove the bit from the workpiece and determine the reason for jamming.

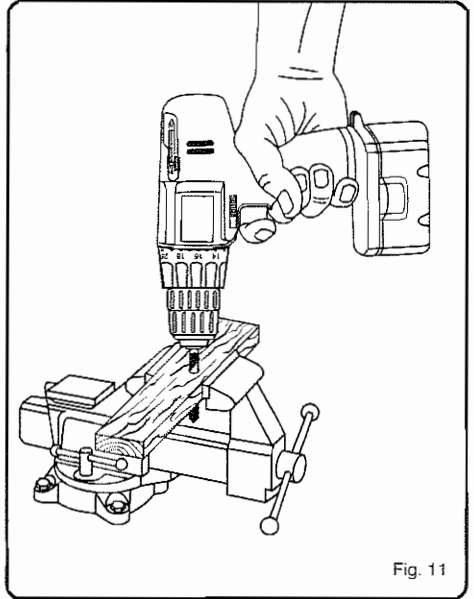


Fig. 11

# OPERATION

## CHUCK REMOVAL

See Figures 12, 13, and 14.

- Lock the switch trigger by placing the direction of rotation selector in center position. See Figure 4.
- Insert a 5/16 inch or larger hex key wrench into the chuck of your drill and tighten the chuck jaws securely.
- Tap the hex key wrench sharply with a mallet in a clockwise direction. See Figure 12. This will loosen the screw in the chuck for easy removal.
- Open chuck jaws and remove hex key wrench. Remove the chuck screw by turning it in a clockwise direction. See Figure 13.

**Note:** The screw has left hand threads.

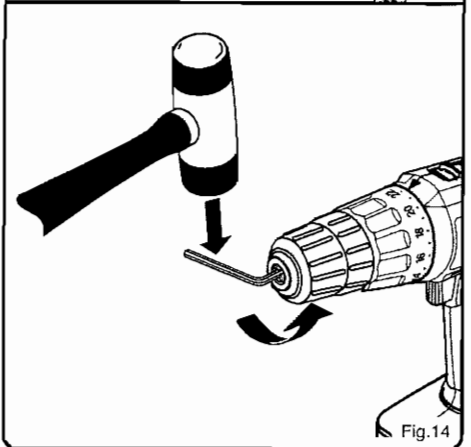
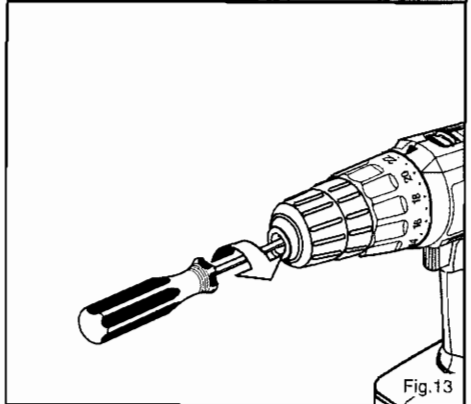
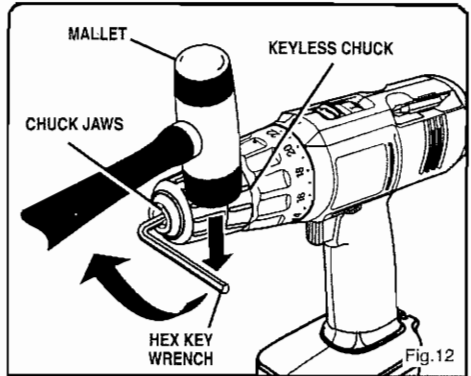
- Insert hex key wrench in chuck and tighten chuck jaws securely. Tap sharply with a mallet in a counterclockwise direction. This will loosen chuck on the spindle. It can now be unscrewed by hand. See Figure 14.

## TO RETIGHTEN A LOOSE CHUCK

The chuck may become loose on spindle and develop a wobble. To tighten, follow these steps:

- Lock the switch trigger by placing the direction of rotation selector in center position. See Figure 4.
- Open the chuck jaws.
- Insert hex key wrench into chuck and tighten chuck jaws securely. Tap hex key wrench sharply with a mallet in a clockwise direction. This will tighten chuck on the spindle.
- Open the chuck jaws and remove hex key wrench.
- Tighten the chuck screw.

**Note:** The chuck screw has left hand threads.



# MAINTENANCE



## WARNING:

When servicing use only identical Ryobi replacement parts. Use of any other parts may create a hazard or cause product damage.

Avoid using solvents when cleaning plastic parts. Most plastics are susceptible to damage from various types of commercial solvents and may be damaged by their use. Use a clean cloth to remove dirt, oil, grease, etc.



## WARNING:

Do not at any time let brake fluids, gasoline, petroleum-based products, penetrating oils, etc., come in contact with plastic parts. They contain chemicals that can damage, weaken, or destroy plastics.

**DO NOT ABUSE POWER TOOLS.** Abusive practices can damage the tool, as well as the work piece.



## WARNING:

Do not attempt to modify this tool or create accessories not recommended for use with this tool. Any such alteration or modification is misuse and could result in a hazardous condition leading to possible serious personal injury.



## CAUTION:

Any repairs requiring disassembly should only be performed by a **Ryobi Authorized Service Center**.

## BATTERIES

Your drill is equipped with Nickel-Cadmium rechargeable batteries. Length of service from each charging will depend on the type of work you are doing.

The batteries in this tool have been designed to provide maximum trouble-free life. However, like all batteries, they will eventually wear out.

To obtain the longest possible battery life, we suggest the following:

- Store and charge your batteries in a cool area. Temperatures above normal room temperature will shorten battery life.
- Never store batteries in a discharged condition. Wait for battery to cool and charge immediately.
- All batteries gradually lose their charge. The higher the temperature, the quicker they lose their charge. If you store your tool for long periods of time without using it, recharge the batteries every month or two. This practice will prolong battery life.

**RYOBI TECHNOLOGIES AUSTRALIA PTY. LIMITED**

# **GUARANTEE**



Subject to the guarantee condition below, this Ryobi tool (hereinafter called "the product") is guaranteed by Ryobi (hereinafter called "the Company") to be free from defects in material or workmanship for a period of 24 months from the date of original purchase covering both parts and labour. Under the terms of this guarantee, the repair or replacement of any part shall be the opinion of the Company or its authorised agent. Should service become necessary during the warranty period, the owner should contact the Authorised Ryobi Retailer from whom the Product was purchased, or the nearest Company Branch Office. In order to obtain guarantee service, the owner must present the sales docket and Guarantee Certificate to confirm date of purchase. This product is sold by the dealer or agent as principal and the dealer has no authority from the Company to give any additional guarantee on the Company's behalf except as herein contained or herein referred to.

### **Guarantee Conditions**

This guarantee only applies provided that the Product has been used in accordance with the manufacturer's recommendations under normal use and reasonable care (in the opinion of the Company) and such guarantee does

not cover damage, malfunction or failure resulting from misuse, neglect, abuse, or used for a purpose for which it was not designed or is not suited and no repairs, alterations or modifications have been attempted by other than an Authorised Service Agent. This guarantee will not apply if the tool is damaged by accident or if repairs arise from normal wear and tear.

The Company accepts no additional liability pursuant to this guarantee for the costs of travelling or transportation of the Product or parts to and from the service dealer or agent - such costs are not included in this guarantee. Certain legislation, including the Trade Practices Act, 1974 (as amended) and other state and territorial laws give rights to the buyer and impose liability on the seller in certain circumstances. Nothing herein shall have the effect of excluding, restricting or modifying any condition, guarantee, right or liability imposed, to the extent only that such exclusion, restriction or modification would render any term herein void.

**RYOBI TECHNOLOGIES AUSTRALIA PTY. LIMITED**

A.B.N. 98 002 277 509

**SYDNEY:** 359-361 Horsley Road, Milperra, N S W. 2214

Contact during normal business hours

Tel: (02) 9792 9888 - Fax: 1800 807 993 - [www.ryobi.com.au](http://www.ryobi.com.au)

**BRISBANE:** All enquiries Tel: 1300 361 505

**TOWNSVILLE:** All enquiries Tel: 1300 361 505

**MELBOURNE:** 960 Stud Road, Rowville Vic. 3178  
Tel: (03) 9764 8655

**HOBART:** All enquiries Tel: 1300 360 216

**ADELAIDE:** All enquiries Tel: 1300 360 216

**PERTH:** 33-35 Sorbonne Cres., Canning Vale, W.A. 6155  
Tel: (08) 9455 7775

**RYOBI NEW ZEALAND PTY. LTD.**

**AUCKLAND:** 503 Mt Wellington Highway, Mt Wellington, N.Z.

Tel: (09) 573 0230 - Free Call: 0800 279 624 - Fax: (09) 573 0231 - [www.ryobi.co.nz](http://www.ryobi.co.nz)

Contact during normal business hours.

## **This Guarantee Form Should Be Retained By The Customer At All Times**

For your record and to assist in establishing date of purchase (necessary for in-guarantee service) please keep your purchase docket and this form completed with the following particulars

Purchased From \_\_\_\_\_

Address Of Dealer \_\_\_\_\_

Date \_\_\_\_\_ Model No \_\_\_\_\_ Serial No \_\_\_\_\_

Present This Form With Your Purchase Docket When Guarantee Service Is Required