

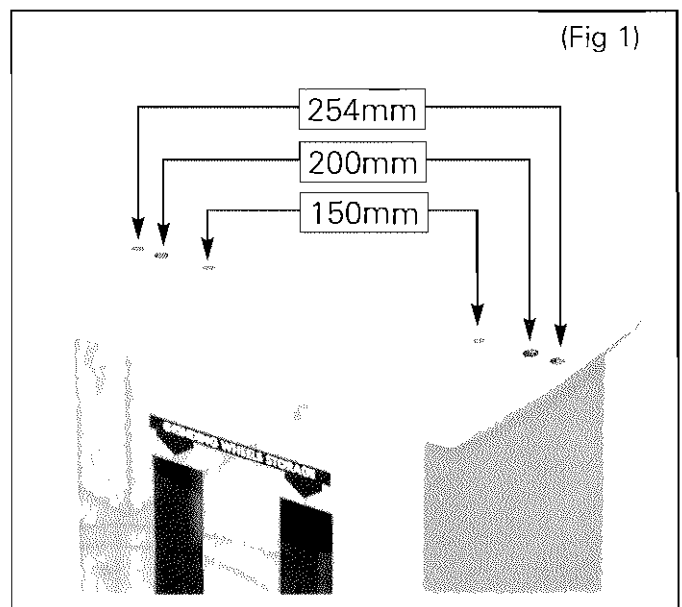
RYOBI®

BENCH GRINDER STAND MODEL HBGSP1 ASSEMBLY INSTRUCTIONS

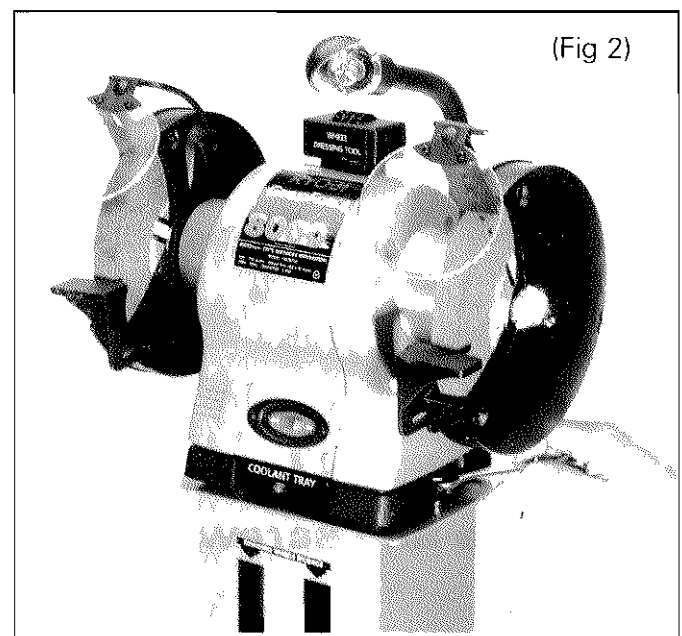


Your Ryobi Bench Grinder Stand has been pre-drilled with holes, spaced accordingly to accept 150mm, 200mm and 254mm Ryobi Bench Grinders. (Fig 1)

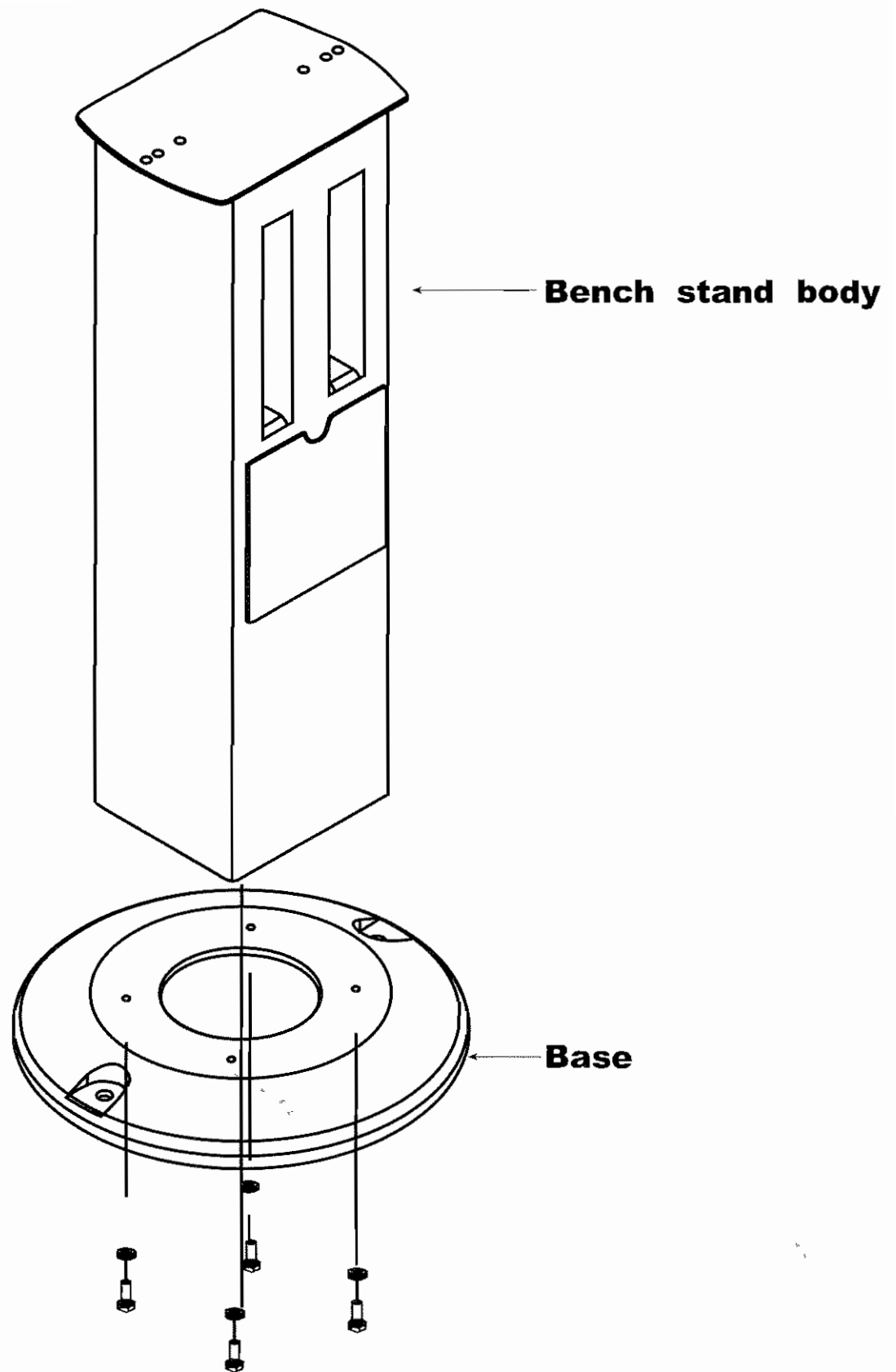
To assemble any other Bench Grinder, new holes may need to be drilled and tapped in the appropriate position.



Align the holes in the base of the Bench Grinder with the holes in the Stand and firmly secure the 2 bolts provided with a spanner (Fig 2)



WARNING: Ensure that the Ryobi Bench Grinder Stand is firmly bolted to a floor area. Failure to adhere to this warning can cause serious personal injury



Attach the four (4) bolts and washers through the base and screw into the body of the stand.