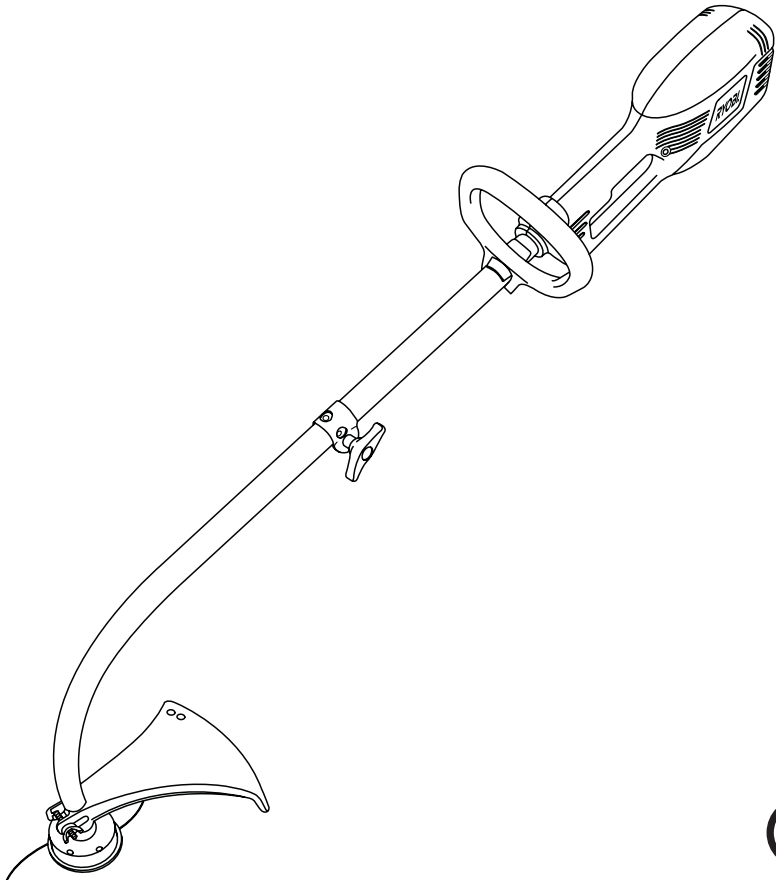


# RYOBI®

ELT1100QFA

## ELECTRIC LINE TRIMMER

OWNER'S OPERATION MANUAL



N197

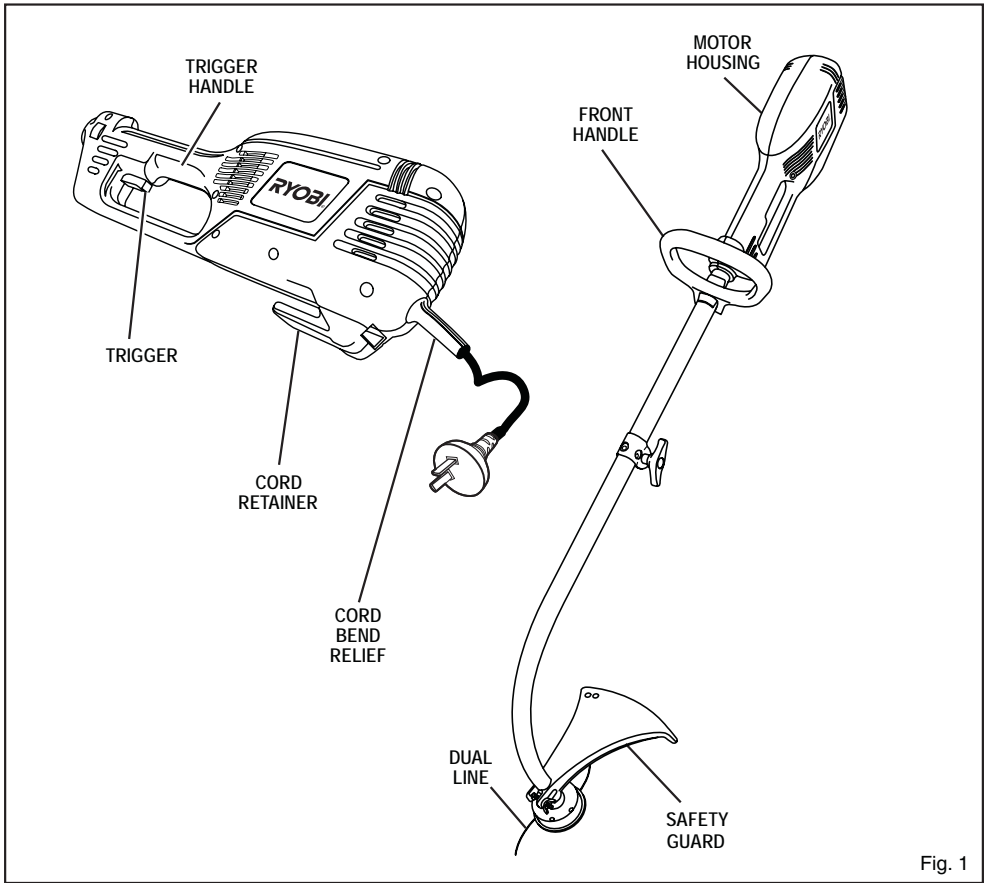


Fig. 1

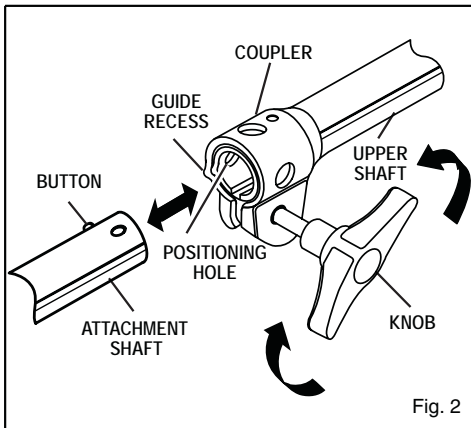


Fig. 2

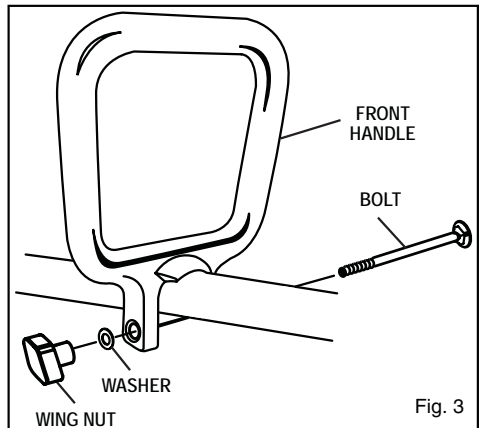
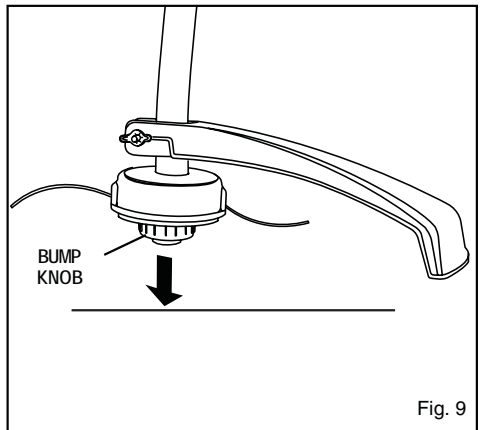
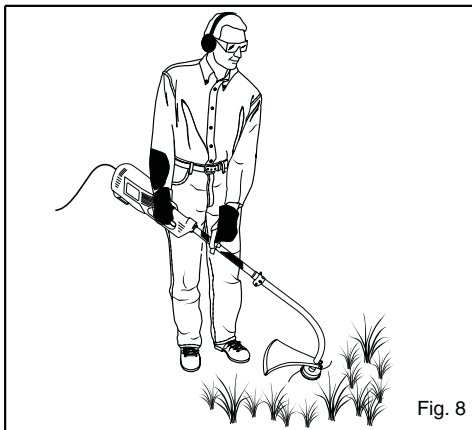
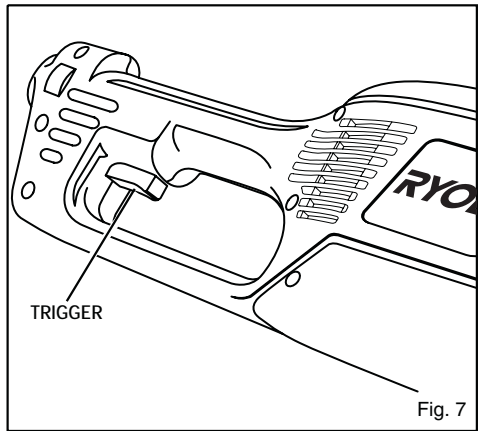
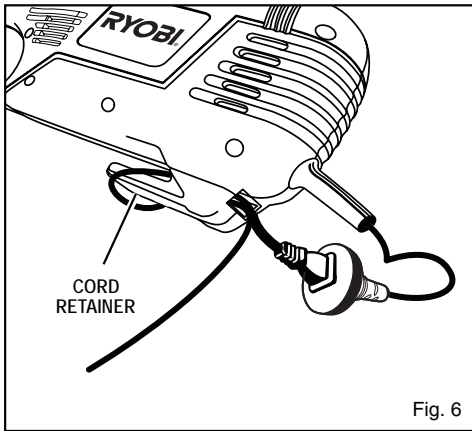
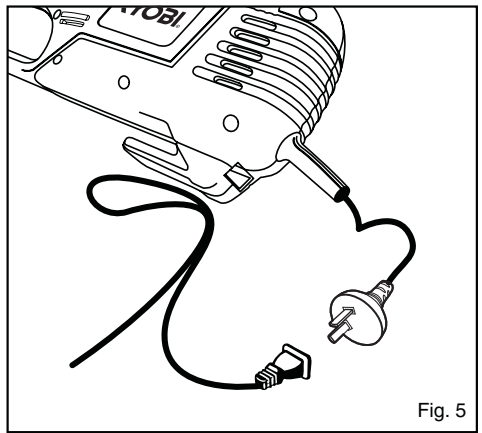
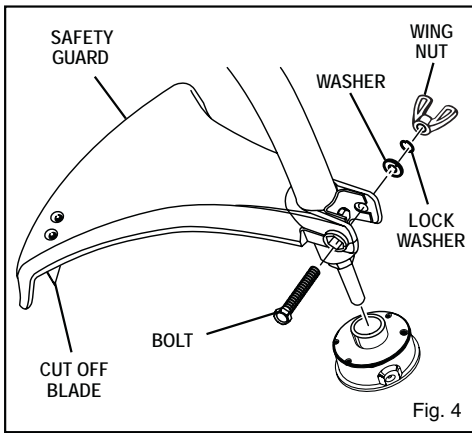


Fig. 3



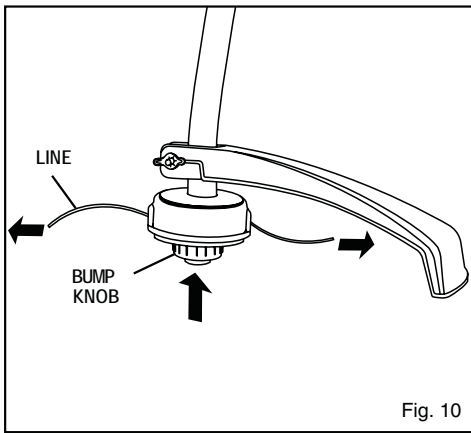


Fig. 10

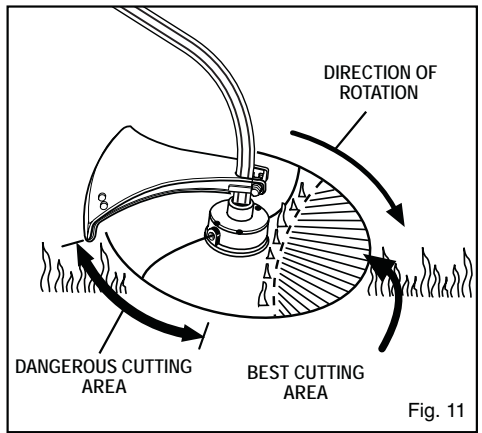


Fig. 11

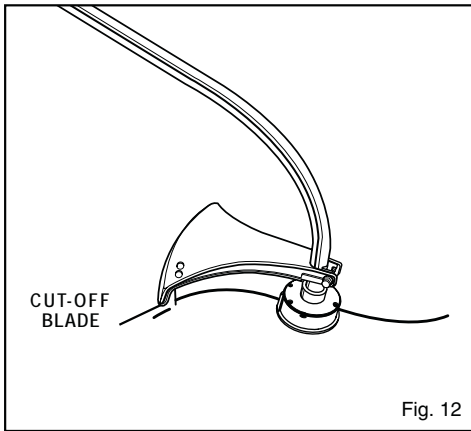


Fig. 12

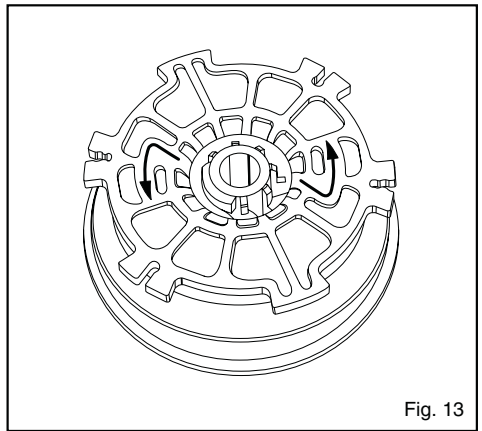


Fig. 13

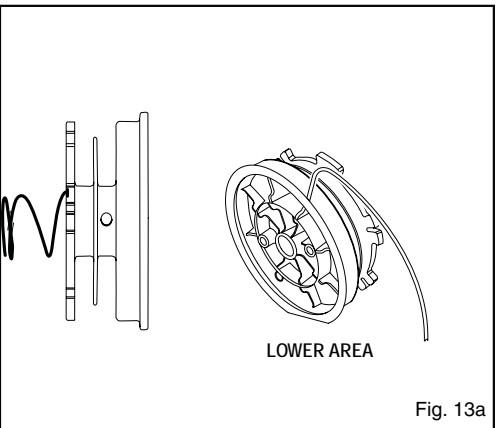
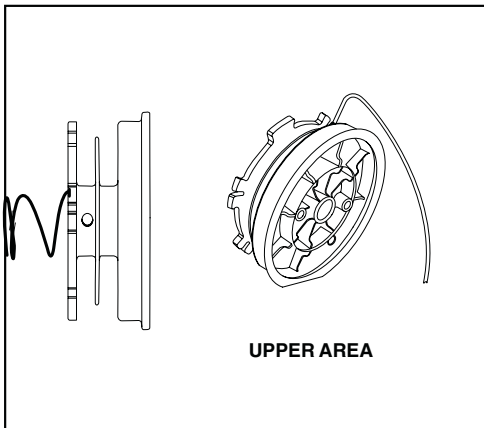
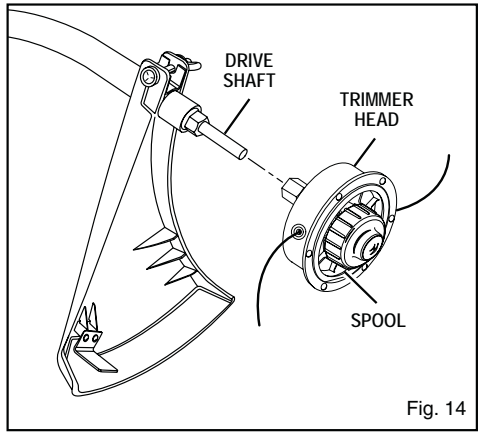
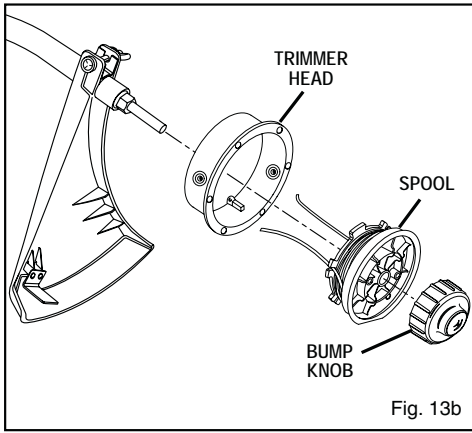


Fig. 13a



## GENERAL SAFETY RULES



### WARNING:

When using electric gardening appliances, basic safety precautions should always be followed to reduce the risk of fire, electric shock and personal injury, including the following:

## READ ALL INSTRUCTIONS

### GENERAL SAFETY RULES

- Clear the work area before each use. Remove all objects, such as rocks, broken glass, nails, wire or string that can be thrown or become entangled in the cutting line.
- Wear heavy, long pants, shorts and gloves. Do not wear loose fitting clothing, short pants or go bare foot. Do not wear jewelry of any kind.
- Secure hair above shoulder level to prevent entanglement in moving parts.
- Do not allow children or untrained individuals to use this product.
- Keep all by standers, children and pets at least 15m away.
- Do not operate this product when you are tired, ill or under the influence of alcohol, drugs or medication.
- Do not operate in poor lighting.
- Keep firm footing and balance. Do not over reach. Over-reaching can result in loss of balance or exposure to hot surfaces.
- Keep all parts of your body away from moving parts.
- Inspect the product before use. Replace any damaged parts before use.
- Do not operate the product in damp or wet locations.
- Do not use the product in the rain.
- Wear safety glasses or goggles when operating this product.
- Use the right product. Use the product for the intended purpose only.
- Do not handle the product with wet hands.
- Do not use the product if the switch does not turn the product on or off. A product that cannot be controlled with the switch is dangerous and must be repaired.
- Avoid accidental starting; never carry the product with your finger on the trigger.

- Stay alert and pay attention to what you are doing. Use common sense when using this product.
- Do not force the product. It will do a better job with less likelihood of a risk of injury when you operate it at the rate for which it was designed.
- Use the product for cutting grass and light weeds only. Do not use for any other purpose.
- Before starting the product, position it so that the line does not come in contact with anything you do not intend to cut.
- Keep the safety guard in place at all times while operating the product. The product may overheat without the safety guard in place.
- Stop the product immediately, unplug it and check for damage if you strike or become entangled with foreign objects. Do not operate the product before having any damage repaired.
- Keep hands away from the cutting line. Do not attempt to remove cut material or to hold material to be cut when the line is moving. Be sure the unplug the product and the release the trigger when clearing jammed material from the line. Do not grasp the line when picking up or holding the product.
- Be cautious after turning off the product. The line coasts after turning off the product.
- Disconnect the product from the power supply when it is not in use, before servicing and when changing accessories.

## SPECIFIC SAFETY RULES

### SPECIFIC TRIMMER SAFETY RULES

- Replace the trimmer head if cracked, chipped or damaged in any way. Be sure the trimmer head is properly installed and securely fastened.
- Make sure all guards, straps, deflectors and handles are properly and securely attached.
- Use only the manufacturer's replacement line in the trimmer head.
- Never operate the product without the safety guard in place and in good condition.
- Maintain a firm grip on both handles while trimming. Keep the trimmer head below waist level. Never cut with the trimmer head over 76 cm or more above the ground.

## SPECIFIC SAFETY RULES

### ELECTRICAL SAFETY RULES

- Make sure the cord is located so that it will not be stepped on, tripped over or otherwise subjected to damage or stress.
- Do not abuse the power cord. Never carry the product by the cord. Never pull the plug out of the power point by the cord. Keep the cord away from heat, oil and sharp edges.
- For outdoors work use only suitably approved extension cables with a min. conductor cross section of 1.5mm<sup>2</sup>. The plug connectors must have earthing contacts and be rain-water-proof.
- To reduce the risk of electrical shock, this product has apolarized plug (one blade is wider than the other) and requires the use of apolarized extension cord. This product plug fits into apolarized extension cord in only one way. If the plug does not fit fully into the extension cord, reverse the plug. If the plug still does not fit, obtain a correct polarized extension cord. Use of a polarized extension cord requires use of apolarized wall outlet. This product plug fits into apolarized wall outlet in only one way. If the plug does not fit fully into the wall outlet, reverse the plug. If the plug still does not fit, contact a qualified electrician to install the proper wall outlet. Do not change the product plug, the extension cord receptacle or the extension cord plug in any way.

Ground Fault Circuit Interrupter (GFCI) protection should be provided on the circuits(s) or outlet(s) used for this product. Receptacles with built-in GFCI protection are available and may be used.

- Inspect extension cords for deterioration, cuts or cracks in the insulation. Repair or replace the cords if any defects appear.
- A nameplate on the product indicates the unit's voltage. Never connect the product to an AC voltage that differs from this voltage.

### MAINTENANCE RULES

- Maintain the product with care. Follow instructions for changing accessories. Keep the product dry, clean and free from oil and grease.
- Release the trigger, allow the motor to stop and unplug the product before making adjustments or repairs.
- Do not use the product if parts have been damaged. Check the product to make sure that it will operate properly and perform the intended function. Check for alignment of moving parts, binding of moving parts, breakage of parts and any other condition that may affect the unit operation. Inspect the unit's power connection. Any part that is damaged should be properly repaired or replaced by a Ryobi authorized service centre.

- Keep the product clean of grass clippings and other materials that may become lodged in the cutting lines.
- Never douse or squirt the product with water or any other liquid. Keep handles dry, clean and free from debris. After each use, clean with a soft, dry cloth.

### SERVICE RULES

- Service on this product must be performed by qualified repair personnel only. Service or maintenance performed by unqualified personnel could result in injury to the user or damage to the product. Such service may also void your warranty.
- Use only identical replacement parts when servicing the product. Follow the instructions in the Maintenance section of this manual. Use of unauthorized parts or failure to follow maintenance instructions may create a risk of shock, serious injury to the user or damage to the product. Such use may also void your warranty.









### STORAGE AND TRANSPORTATION RULES

- Stop the motor when you are waiting to cut or when you are walking from one cutting location to another. Store the product inside in a dry place.
- Store the product up high or lock it up to prevent unauthorized use or damage. Keep the product out of the reach of children.
- Secure the product when transporting it.
- **Save these instructions.** Refer to them frequently and use them to instruct others who may use this product. If you loan someone this product, loan these instructions also.

# ENGLISH

## SYMBOLS

Some of the following symbols may be used on your tool. Please study them and learn their meaning. Proper interpretation of these symbols will allow you to operate the tool more safely and effectively.

SYMBOL	NAME	EXPLANATION
	Safety Alert	Precautions that involve your safety.
	Ricochet	Thrown objects can cause severe injury. Wear protective clothing and boots.
	Eye Protection	Always wear safety goggles or safety glasses with side shields and a full face shield when operating this product.
	Keep Bystanders Away	Keep all bystanders at least 15 m away.
	No Blade	Do not install any type of blade on this product.
	Class II Construction	Double-insulated construction.
	Wet Conditions Alert	Do not expose to rain or use in damp locations.
	Read Operator's Manual	To reduce the risk of injury, user must read and understand operator's manual before using this product.


## SYMBOLS


The following signal words and meanings are intended to explain the levels of risk associated with this product.


SYMBOL	SIGNAL	MEANING
	<b>DANGER:</b>	Indicates an imminently hazardous situation, which, if not avoided, will result in death or serious injury.
	<b>WARNING:</b>	Indicates a potentially hazardous situation, which, if not avoided, could result in serious injury.
	<b>CAUTION:</b>	Indicates a potentially hazardous situation, which, if not avoided, may result in minor or moderate injury.
	<b>CAUTION:</b>	(Without Safety Alert Symbol) Indicates a situation that may result in property damage.

## SERVICE

Servicing requires extreme care and knowledge and should be performed only by a qualified service technician. For service we suggest you return the product to your nearest **AUTHORIZED SERVICE CENTRE** for repair. When servicing, use only identical replacement parts.

 **WARNING:**  
Observe all normal safety precautions related to avoiding electrical shock.

 **WARNING:**  
To avoid serious personal injury, do not attempt to use this product until you read thoroughly and understand completely the operator's manual. Save this operator's manual and review frequently for continuing safe operation and instructing others who may use this product.

 **WARNING:**  
The operation of any power tool can result in foreign objects being thrown into your eyes, which can result in severe eye damage. Before beginning power tool operation, always wear safety goggles or safety glasses with side shields and a full face shield when needed. We recommend Wide Vision Safety Mask for use over eyeglasses or standard safety glasses with side shields. Always use eye protection



## SPECIFICATIONS

### MOTOR

Motor Type.....1100W  
Operating RPM.....7500  
Amperes ..... 4.6 amps

### DRIVE SHAFT AND CUTTING HEAD

Drive Shaft..... 6.35mm Flex Shaft  
Cutting Head .....Bump Line Release  
Cutting Path Diameter.....381 mm  
Drive Shaft Housing.....Aluminum Tube  
Cutting Line Diameter..... 2 mm

**SAVE THESE INSTRUCTIONS**

## UNPACKING

### INSTRUCTIONS

- Carefully remove the parts from the box.  
Inspect the parts carefully to make sure no breakage or damage occurred during shipping.
- Do not discard the packing material until you have carefully inspected and satisfactorily operated the product.
- If any parts are damaged or missing, please call 1300 361 505 for assistance.



### WARNING:

If any parts are missing, replace them before operating the product. Failure to do so could result in serious personal injury against cutting yourself on the line cut off blade.

### PACKING LIST

Upper shaft (Power head) (1)  
Attachment shaft (Cutting head) (1)  
Front Handle (1)  
Carriage bolt - 6 mm x 50 mm (1)  
Flat washer for front handle - 6 mm (1)  
Wing nut for front handle - 6 mm (1)  
Safety guard (1)  
Wing nut for safety guard - 6 mm (1)  
Flat washer for safety guard - 6 mm (1)  
Lock washer - 6 mm (1)  
Hex bolt - 6 mm x 50mm (1)  
Operator's manual (1)

## FEATURES

### TOP-MOUNTED MOTOR

The top-mounted motor improves balance and is located away from the dust and debris of the cutting area.

### CORD RETAINER

The cord retainer helps prevent accidental unplugging of the extension cord.

### DUAL LINE

The dual line permits more efficient and aggressive cutting.

### EZ LINE™ TAP ADVANCE SYSTEM

The EZ Line™ Tap Advance System allows easy line advance during trimmer operation.

### SAFETY GUARD

The trimmer includes a safety guard that helps protect you from flying debris.

### ERGONOMIC DESIGN

The design of the trimmer provides for easy handling. It is designed for comfort and ease of grasp when operating in different positions and at different angles.



### WARNING:

Do not attempt to modify this product or create accessories not recommended for use with this product. Any such alteration or modification is misuse and could result in a hazardous condition leading to serious personal injury.

## ASSEMBLY

### CONNECTING THE ATTACHMENT TO THE UPPER SHAFT

See Figure 2.

The coupler connects the attachment to the upper shaft. Follow these steps to connect the attachment to the upper shaft.

- Loosen the knob by turning it counterclockwise.
- Remove the end cap from the attachment shaft.
- Align the button with the guide recess on the upper shaft.
- Slide the attachment shaft into the upper shaft until the attachment shaft clicks into place.
 

**NOTE:** If the button does not release completely in the positioning hole, the shafts are not locked. Slightly rotate the attachment shaft until the button is locked into place.
- Tighten the locking knob securely by turning it clockwise.
 

**NOTE:** During operation, periodically check the knob and tighten as necessary.

### REMOVING THE ATTACHMENT FROM THE UPPER SHAFT

See Figure 2.

Disconnect the upper shaft and attachment shaft for storage or when a job calls for a different attachment.

Follow these steps to remove the attachment from the upper shaft.

- Release the trigger and allow the trimmer to coast to a stop.
- Unplug the trimmer.
- Loosen the locking knob by turning it counterclockwise.
- Push the button, while pulling out the attachment.

### ATTACHING THE FRONT HANDLE

See Figure 3.

Follow these steps to attach the front handle.

- Press the front handle onto the upper shaft so that the handle is angled toward the trigger handle.
- Place the front handle along the upper shaft to a position that allows for comfortable operation.
- Slide the bolt through the holes in the front handle.
- Slide the washer onto the bolt.
- Place the wing nut onto the bolt and tighten the wing nut securely.

### ATTACHING THE SAFETY GUARD

See Figure 4.



#### WARNING:

The line cutting blade on the safety guard is sharp. Avoid contact with the blade. Failure to avoid contact can result in serious personal injury.

Follow these steps to attach the safety guard.

- Slide the safety guard onto the attachment shaft and fit it over the bracket. Install the bolt through the holes in the tabs on the safety guard and the slots in the bracket on the attachment shaft.
- Install the flat washer, the lock washer and the wing nut.
- Tighten the wing nut securely.
- Remove the protective packaging from the line cutting blade.

### EXTENSION CORD RETAINER

- An extension cord retainer is located on the bottom of the trimmer. This provides strain relief for the cord, preventing unwanted disconnects.

**Note:** To reduce the disconnection of the power cord from the extension cord during operation, use the extension cord retainer described below.

### METHOD OF SECURING EXTENSION CORD

- Use the extension cord retainer when you connect the extension cord to the power cord to prevent disconnection. Use only an **outdoor** approved extension cord as indicated by the letters "W-A" on the cord's jacket.
- Loop the extension cord through the extension cord retainer slot located on the bottom end of the trimmer. See Figure 5.
- Pull loop of extension cord around tongue and pull tight. See Figure 6.
- Attach extension cord to plug on trimmer. See Figure 6.

## OPERATION



### WARNING:

The product may throw objects during operation, causing injury to the operator or to bystanders. Always wear suitable eye protection, boots, gloves and long, heavy pants while operating the product.

### STARTING AND STOPPING THE TRIMMER

See Figure 7.

- To start the trimmer: Press the trigger.
- To stop the trimmer: Release the trigger.

### OPERATING THE TRIMMER

See Figure 8.

Follow these steps to operate the trimmer.

- Plug the trimmer cord into an extension cord approved for outdoor use. Refer to "Electrical Safety Rules" earlier in this manual.
- Hold the trimmer with your right hand on the trigger handle and your left hand on the front handle.  
**NOTE:** Keep a firm grip with both hands during operation.
- Place the trimmer on the right side of your body with the engine behind and away from your body.
- Press the trigger to start the trimmer.
- Trim grass and weeds in a right-to-left motion with the line parallel to the ground.

### CUTTING TIPS

- Inspect and clear the area to be trimmed for any rocks, broken glass or wire that could be thrown or become entangled in the cutting line.  
Trim only when grass or weeds are dry.  
Keep the cutting line parallel to the ground.
- Cut grass or weeds over eight inches tall from the top to the bottom in small amounts. This will prevent grass becoming wrapped around the trimmer head assembly, which may result in damage due to overheating. If grass becomes wrapped around the trimmer head assembly, stop the trimmer, unplug it and remove the grass.
- Move the trimmer slowly in and out of the area you are cutting, keeping the trimmer at the desired cutting height.
- Use the tip of the line to do the cutting. Do not force the trimmer head assembly into uncut grass.
- Feed out some line after each use to prevent the line from retracting into the cutting head.

- The tip of the cutting line will wear during use; this reduces the cutting swath. If the line is not advanced occasionally, it will wear down to the eyelet. When the trimmer stops, the line tends to relax and may retract into the trimmer head assembly. Should this occur, unplug the trimmer, remove the spool, refeed the line through the eyelets and reassemble the spool.
- Avoid hitting objects with the line, such as chain-link fences or concrete, as this causes rapid wear.
- Never drag the trimmer head assembly on the ground while trimming.

### ADVANCING THE CUTTING LINE AUTOMATICALLY

See Figure 9.

The trimmer includes the EZ Line™ Tap Advance System. Follow these steps to advance the cutting line automatically.

- Press the trigger.
- Tap the bump knob lightly on the ground while the motor is running. Do not hold the bump knob on the ground.

**NOTE:** The line cutting blade on the safety guard will cut the line to the proper length.

**NOTE:** To help prevent line tangle, tap only once to lengthen the line. If additional line is required, wait a few seconds before retapping the bump knob. Keep the line length at or near full cutting diameter.

### ADVANCING THE CUTTING LINE MANUALLY

See Figure 10.

If the cutting line wears to less than the recommended length, you may not be able to lengthen it by tapping the bump knob.

Follow these steps to advance the cutting line manually.

- Release the trigger and allow the trimmer to coast to a stop.
- Unplug the trimmer.
- Pull sharply on the line while pushing down on the bump knob.

## OPERATION

### CUTTING TIPS

See Figure 11.

- Keep the trimmer tilted toward the area being cut; this is the best cutting area.
- Do not cut in dangerous cutting area.
- Use the tip of line to do the cutting; do not force the bump head into uncut grass.
- Wire and picket fences cause extra line wear, even breakage. Stone and brick walls, curbs and wood may wear line rapidly.
- Avoid trees and shrubs. Tree bark, wood moldings, siding and fence posts can easily be damaged by the line.

### SAFETY GUARD LINE TRIMMING CUT-OFF BLADE

See Figure 12.

This trimmer is equipped with a line trimming cut-off blade on the safety guard. For best cutting, advance line until it is trimmed to length by the cut-off blade. Advance line whenever you hear the engine running faster than normal. This will maintain best performance and keep line long enough to advance properly.

## MAINTENANCE



### WARNING:

Use only identical Ryobi replacement parts when servicing this product. Use of any other parts may create a hazard or cause product damage.

### CLEANING THE TRIMMER

Release the trigger, allow the trimmer to coast to a stop, and unplug the trimmer before cleaning.

- Clean the exterior of the trimmer with a soft, dry cloth.
- Avoid using solvents when cleaning plastic parts. Most plastics are susceptible to damage from various types of commercial solvents and may be damaged by their use.
- Wipe or scrape the trimmer head and spool area when they accumulate dirt or clippings.
- Scrape or brush debris away from air intake vents on the motor housing.

### SERVICING THE TRIMMER

- Check all fasteners and tighten as necessary. If any part is damaged or lost, repair it or replace it.
- Any other service should be performed at a Ryobi Authorized Service Dealer.

### REPLACING THE CUTTING LINE

See Figures 13, 13a and 13b.



### WARNING:

Use of line other than the original 2.0mm. monofilament cutting line could cause serious personal injury or damage to the trimmer.

Follow these steps to replace the cutting line.

- Release the trigger and allow the trimmer to coast to a stop.
- Unplug the trimmer.



### WARNING:

Make sure the trimmer head stops rotating when you release the trigger. Contact with a rotating trimmer head could cause personal injury.

- Remove the bump knob by turning it counterclockwise.
- Remove the empty spool.
- Clean the trimmer head thoroughly. Inspect the trimmer head for any damaged or worn parts.
- Cut two pieces of line approximately 2.7 m long.
- Insert the end of the new line into the hole in the upper threaded area of the spool.

## MAINTENANCE

- Wind the line counterclockwise around the spool following arrows on spool. **Do not overfill.**

**NOTE:** After winding the line, there should be about 152 mm between the wound line and the outside edge of the spool.

- Secure the line temporarily by pushing it into one of the slotted tabs on the spool.
- Repeat the process for the lower threaded area of the spool, winding the line clockwise and securing it in the slotted tab opposite the first secured line.
- Insert the lines into the eyelets in the trimmer head.

- Place the spool on the drive shaft.

**NOTE:** To install the spool, you may need to rotate it slightly.

**NOTE:** If the line should tangle or break at the eyelets, remove the spool, refeed the line through the eyelets and reassemble the spool on the trimmer.

- Release the lines from the tabs by sharply pulling each line while pushing down on the spool.
- Push down on the spool to reveal the threads on the drive shaft.
- Place bump knob on the threads inside the drive shaft.
- Secure the retaining cap by turning it clockwise.



### **WARNING:**

An improperly installed bump knob or spool could fly off the trimmer. Contact with a thrown bump knob or spool could cause personal injury.

## REPLACING THE SPOOL

See Figure 14.

The spool may wear during normal use of the line advance feature and may require occasional replacement. Replacement spools are available through your local retailer.

- Release the trigger.
- Unplug the trimmer.



### **WARNING:**

Make sure the trimmer head stops rotating. Contact with a rotating trimmer head could cause personal injury.

- Remove the bump knob by turning it counterclockwise.
- Remove the empty spool.
- Clean the trimmer head thoroughly. Inspect the trimmer head for any damaged or worn parts.

- Hold the spool so that its tabbed side is positioned upward.

**NOTE:** On the new spool, the ends of the lines are secured in slots on tabs. Release the line from the tabs, unwind approximately 150mm of line and resecure the lines in the tabs.

- Insert the lines on the new spool into the eyelets in the trimmer head.
- Place the spool on the drive shaft.

**NOTE:** To install the spool, you may need to rotate it slightly.

**NOTE:** If the line should tangle or break at the eyelets, remove the spool, refeed the line through the eyelets and reassemble the spool on the trimmer.

- Release the lines from the tabs by sharply pulling each line while pushing down on the spool.
- Push down on the spool to reveal the drive shaft.
- Place the bump knob on the drive shaft.
- Secure the bump knob by turning it clockwise.

# ENGLISH

## TROUBLESHOOTING

PROBLEM	POSSIBLE CAUSE	SOLUTION
Line will not advance when tap bump knob	<ol style="list-style-type: none"><li>1. Line is welded to itself.</li><li>2. Not enough line on spool.</li><li>3. Line is worn too short.</li><li>4. Line is tangled on spool.</li></ol>	<ol style="list-style-type: none"><li>1. Lubricate with a silicone spray.</li><li>2. Install more line (Refer to "Replacing the Cutting Line" earlier in this manual).</li><li>3. Pull lines while alternately pressing down on and releasing bump knob.</li><li>4. Remove line from spool and rewind (Refer to "Replacing the Cutting Line" earlier in this manual).</li></ol>
Bump knob is hard to turn	Screw threads are dirty or damaged.	Clean threads and lubricate with grease. If no improvement, replace bump knob.
Grass wraps around the attachment shaft and the trimmer head assembly	Cutting tall grass at ground level.	Cut tall grass from the top down.

RYOBI TECHNOLOGIES AUSTRALIA PTY. LTD.

# GUARANTEE



Subject to the guarantee condition below, this Ryobi tool (hereinafter called "the product") is guaranteed by Ryobi (hereinafter called "the Company") to be free from defects in material or workmanship for a period of 24 months from the date of original purchase covering both parts and labour. Under the terms of this guarantee, the repair or replacement of any part shall be the opinion of the Company or its authorised agent. Should service become necessary during the warranty period, the owner should contact the RYOBI HELPLINE 1300 361 505 or contact the retailer from whom the product was purchased.

In order to obtain guarantee service, the owner must present the sales docket and Guarantee Certificate to confirm date of purchase. This product is sold by the dealer or agent as principal and the dealer has no authority from the Company to give any additional guarantee on the Company's behalf except as herein contained or herein referred to.

#### Guarantee Conditions

This guarantee only applies provided that the Product has been used in accordance with the manufacturer's recommendations under normal use and reasonable care (in the opinion of the Company) and such

guarantee does not cover damage, malfunction or failure resulting from misuse, neglect, abuse, or used for a purpose for which it was not designed or is not suited and no repairs, alterations or modifications have been attempted by other than an Authorised Service Agent. This guarantee will not apply if the tool is damaged by accident or if repairs arise from normal wear and tear.

The Company accepts no additional liability pursuant to this guarantee for the costs of travelling or transportation of the Product or parts to and from the service dealer or agent - such costs are not included in this guarantee.

Certain legislation, including the Trade Practices Act, 1974 (as amended) and other state and territorial laws give rights to the buyer and impose liability on the seller in certain circumstances. Nothing herein shall have the effect of excluding, restricting or modifying any condition, guarantee, right or liability imposed, to the extent only that such exclusion, restriction or modification would render any term herein void.

# RYOBI®

*RYOBI TECHNOLOGIES AUSTRALIA PTY. LTD.*

A.B.N. 98 002 277 509

SYDNEY: 359-361 Horsley Road, Milperra, N.S.W. 2214.

Contact during normal business hours.

Tel: (02) 9792 9800 - Fax: 1800 807 993 - [www.ryobi.com.au](http://www.ryobi.com.au)

BRISBANE: All enquiries Tel : 1300 361 505

TOWNSVILLE: All enquiries Tel : 1300 361 505

MELBOURNE: 960 Stud Road, Rowville, Vic. 3178

Tel : (03) 9764 8656

HOBART: All enquiries Tel : 1300 361 505

ADELAIDE: All enquiries Tel : 1300 361 505

PERTH: 33-35 Sorbonne Cres. Canning Vale, W.A. 6155

Tel : (08) 9455 7775

*RYOBI NEW ZEALAND PTY. LTD.*

AUCKLAND: 27 Clemow Drive, Mt Wellington, N.Z.

Tel: (09) 573 0230 - Free Call: 0800 279 624 - Fax: (09) 573 0231 - [www.ryobi.co.nz](http://www.ryobi.co.nz)

Contact during normal business hours.

## This Guarantee Form Should Be Retained By The Customer At All Times

For your record and to assist in establishing date of purchase (necessary for in-guarantee service) please keep your purchase docket and this form completed with the following particulars.

Purchased From \_\_\_\_\_

Address Of Dealer \_\_\_\_\_

Date \_\_\_\_\_ Model No \_\_\_\_\_ Serial No \_\_\_\_\_

Present This Form With Your Purchase Docket When Guarantee Service Is Required.