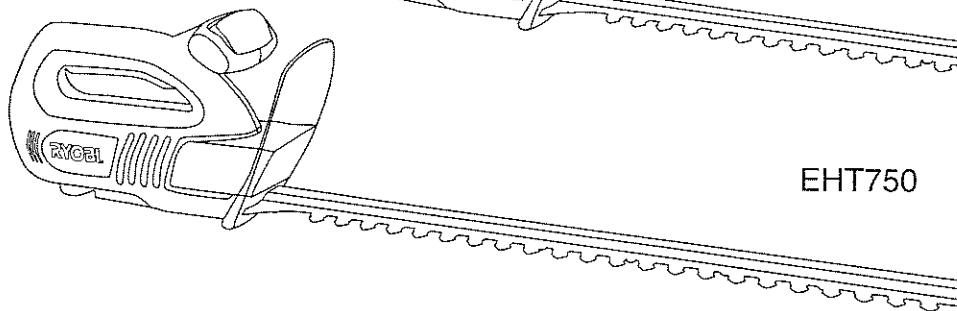
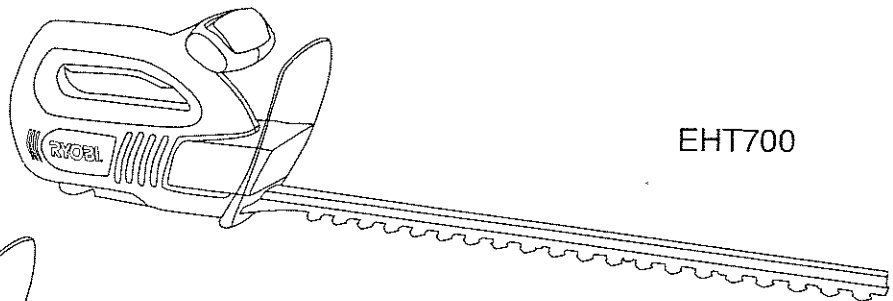
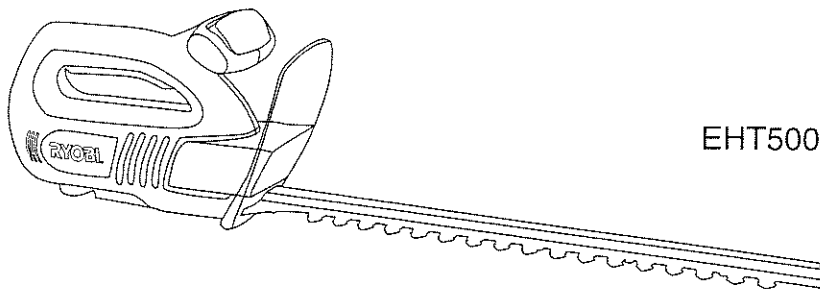


RYOBI®

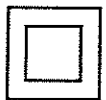
OWNER'S OPERATING MANUAL GARDEN HEDGE TRIMMER MODEL EHT500 / EHT700 / EHT750



SPECIFICATIONS	EHT500	EHT700	EHT750
Power Input	500W	700W	750W
No Load Speed	3300SPM	3300SPM	3300SPM
Blade Length	420mm	510mm	570mm
Cutting Action	Double	Double	Double
Weight	3.3kg	3.4kg	3.5kg



N197



THANK YOU FOR BUYING A RYOBI PRODUCT.

Your new hedge trimmer has been engineered and manufactured to Ryobi's high standard for dependability, ease of operation and operator safety. Properly cared for, it will give you years of trouble free performance.



CAUTION: Carefully read through this entire owner's manual before using your hedge trimmer.

Play close attention to the Rules for Safe Operation, Warnings, and Cautions. If you use your hedge trimmer properly and only for what it is intended, you will enjoy years of safe, reliable service. Thank You again for buying Ryobi tools. **SAVE THIS MANUAL FOR FUTURE REFERENCE.**

RULES FOR SAFE OPERATION

MEANING OF SAFETY SIGNS



Wear eye protection.



Wear ear protection.



Wear dust mask.

GENERAL SAFETY RULES



WARNING:

Read all instructions. Failure to follow all instructions listed below may result in electric shock, fire and/or serious injury. The term 'power tool' in all of the warnings listed below refers to your mains operated (corded) power tool or battery operated (cordless) power tool.

SAVE THESE INSTRUCTIONS

WORK AREA

- **Keep work area clean and well lit.** Cluttered and dark areas invites accidents.
- **Do not operate power tools in explosive atmospheres, such as in the presence of flammable liquids, gases, or dust.** Power tools create sparks which may ignite the dust or fumes.
- **Keep children and bystanders away while operating a power tool.** Distractions can cause you to lose control.

ELECTRICAL SAFETY

- **Power tool plugs must match the outlet. Never modify the plug in any way. Do not use any adaptor plugs with earthed (grounded) power tools.** Unmodified plugs and matching outlets will reduce risk of electric shock.
- **Avoid body contact with earthed or grounded surfaces such as pipes, radiators, ranges and refrigerators.** There is an increased risk of electric shock if your body is earthed or grounded.
- **Do not expose power tools to rain or wet conditions.** Water entering a power tool will increase the risk of electric shock.
- **Do not abuse the cord. Never use the cord for carrying, pulling or unplugging the power tool. Keep cord away from heat, oil, sharp edges or moving parts.** Damaged or entangled cords increase the risk of electric shock. Disconnect from supply immediately if the supply cable is damaged or cut.
- **When operating a power tool outdoors, use an extension cord suitable for outdoor use.** Use of cord suitable of outdoor use reduces the risk of electric shock.

PERSONAL SAFETY

- **Stay alert, watch what you are doing and use common sense when operating a power tool. Do not use a power tool while you are tired or under the influence of drugs, alcohol or medication.** A moment of inattention while operating power tools may result in serious personal injury.
- **Use safety equipment. Always wear eye protection.** Safety equipment such as dust mask, non-skid safety shoes, hard hat, or hearing protection used for appropriate conditions will reduce personal injuries.
- **Avoid accidental starting. Ensure the switch is in the off position before plugging in.** Carrying power tools with your finger on the switch or plugging in power tools that have the switch on invites accidents.
- **DO NOT USE TOOL IF SWITCH DOES NOT TURN IT ON AND OFF.** Have defective switches replaced by authorised service centre.
- **DO NOT OPERATE THIS TOOL WHILE UNDER THE INFLUENCE OF DRUGS, ALCOHOL OR ANY MEDICATION.**

- **THE APPLIANCE IS NOT INTENDED FOR USE BY YOUNG OR INFIRM PERSONS WITHOUT SUPERVISION. YOUNG CHILDREN SHOULD BE SUPERVISED TO ENSURE THAT THEY DO NOT PLAY WITH THE APPLIANCE.**

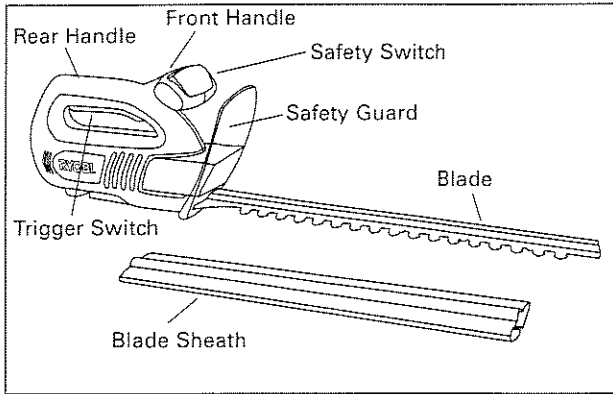
- **Remove any adjusting key or wrench before turning the power tool on.** A wrench or a key left attached to a rotating part of the power tool may result in personal injury.
- **Do not overreach. Keep proper footing and balance at all times.** This enable better control of the power tool in unexpected situations.
- **Dress properly. Do not wear loose clothing or jewellery. Keep your hair, clothing and gloves away from moving parts.** Loose clothes, jewellery or long hair can be caught in moving parts.
- **If devices are provided for the connection of dust extraction and collection facilities, ensure these are connected and properly use.** Use of these devices can reduce dust related hazards.

POWER TOOL USE AND CARE

- **Do not force the power tool. Use the correct power tool for your application.** The correct power tool will do the job better and safer at the rate for which it was designed.
- **Do not use the power tool if the switch does not turn it on and off.** Any power tool that can not be controlled with the switch is dangerous and must be repaired.
Disconnect the plug from the power source before making any adjustments, changing accessories, or storing the power tools. Such preventive safety measures reduce the risk of starting the power tool accidentally.
- **Store idle power tools out of the reach of children and do not allow persons unfamiliar with the power tool or these instructions to operate the power tool.** Power tools are dangerous in the hands of untrained users.
- **Maintain power tools. Check for misalignment or binding of moving parts, breakage of parts and any other condition that may affect the power tools operation. If damaged, have the power tool repaired before use.** Many accidents are caused by poorly maintained power tools.
- **Keep cutting tools sharp and clean.** Properly maintained cutting tools with sharp cutting edges are less likely to bind and are easier to control.
- **Use the power tool, accessories and tool bits, etc., in accordance with these instructions and in the manner intended for the particular type of power tool, taking into account the working conditions and the work to be performed.** Use of the power tool for operations different from intended could result in a hazardous situation.

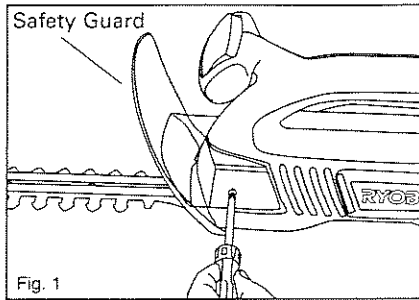
BATTERY TOOL USE AND CARE

- **Ensure the switch is in the off position before inserting battery pack.** Inserting the battery pack into power tools that have the switch on invites accidents.
- **Recharge only with the charger specified by the manufacturer.** A charger that is suitable for one type of battery pack may create a risk of fire when used with another battery pack.
- **Use power tools only with specifically designated battery packs.** Use of any other battery packs may create a risk of injury and fire.



■ INSTALLING SAFETY GUARD

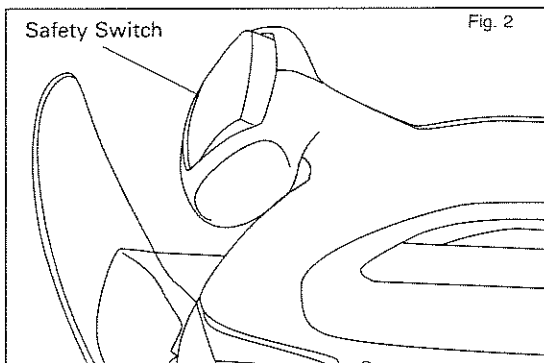
Fig 1. Your Ryobi hedge trimmer comes fully assembled except for the safety guard. To assemble the safety guard, align the 2 holes in the safety guard to the 2 holes on both sides of the trimmer front handle and fix with screws provided.



! WARNING To avoid serious personal injury, never operate the trimmer without the safety guard properly installed.

SAFETY SWITCH

Fig 2. Your Ryobi hedge trimmer is equipped with a safety switch that reduces the possibility of accidental starting. You must depress the safety switch located on the front handle in order to be able to activate the trigger switch. The safety switch resets each time the trigger is released.

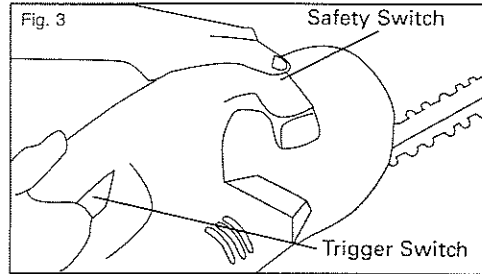


! WARNING: If any parts are missing, damaged or broken, do not operate your trimmer until all damaged parts have been replaced or repaired. Failure to do so could result in serious personal injury.

For ease of operation, your trimmer has a front and rear handle. For your protection, your garden trimmer has a safety guard between the front handle and the blade. If the safety guard becomes damaged or broken do not operate your trimmer.

USING TRIMMER PROPERLY

Always hold the garden trimmer with both hands and with the blade away from you before turning it on. Push the safety switch and depress the trigger switch. Fig 3. To turn the trimmer off, release the safety switch or trigger switch. **Do not use the safety guard as a handle.**



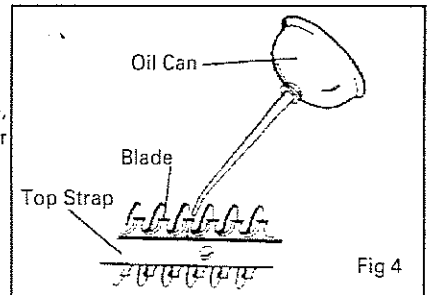
! WARNING Always keep the power cord behind the trimmer when in use. Do not place it over the hedge that you are trimming where it may be cut by the blade.

When trimming new growth, use a wide sweeping action so that the stems are fed directly into the blade. Do not try to cut stems that are arger than 10mm thick or those obviously too large to feed into the blade. Use a hand saw or pruning saw to cut the larger stems.

! WARNING To avoid serious personal injury, always disconnect the power cord before attempting to perform any maintenance on your trimmer

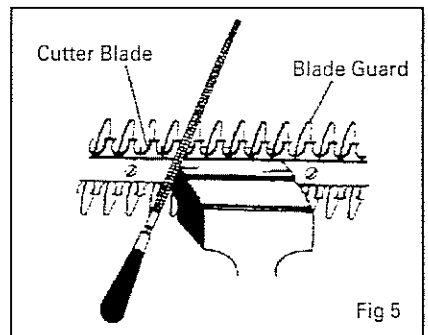
BLADE LUBRICATION

For easier operation and longer blade life, lubricate the trimmer blade before and after each use. Before lubricating, be sure your garden trimmer is disconnected from the power supply. Apply light machine oil along the edge of the top strap as shown in Fig 4.



SHARPENING THE BLADE

1. Allow your garden trimmer to come to a stop with the cutter blade and blade guard positioned as shown in Fig 5. This will allow clearance for the file between cutter teeth and guard teeth.



2. Disconnect the garden trimmer from the power supply.
3. Clamp the blade assembly in a vise and file the exposed cutting surface of each blade tooth with a smooth round file. Be sure to retain the original angle of tooth when filing.
4. Remove the garden trimmer from the vise, restart it, and stop it so that the unshaped edges of the blade teeth are exposed.
5. Disconnect the tool and repeat the sharpening procedure as described above.

RYOBI TECHNOLOGIES AUSTRALIA PTY.LTD.

GUARANTEE



Subject to the guarantee condition below, this Ryobi tool (hereinafter called the product) is guaranteed by Ryobi (hereinafter called the Company) to be free from defects in material or workmanship for a period of 24 months from the date of original purchase covering both parts and labour. Under the terms of this guarantee, the repair or replacement of any part shall be the opinion of the Company or its authorised agent. Should service become necessary during the warranty period, the owner should contact the Authorised Ryobi Retailer from whom the Product was purchased, or the nearest Company Branch Office. In order to obtain guarantee service, the owner must present the sales docket and Guarantee Certificate to confirm date of purchase. This product is sold by the dealer or agent as principal and the dealer has no authority from the Company to give any additional guarantee on the Company's behalf except as herein contained or herein referred to.

does not cover damage, malfunction or failure resulting from misuse, neglect, abuse, or used for a purpose for which it was not designed or is not suited and no repairs, alterations or modifications have been attempted by other than an Authorised Service Agent. This guarantee will not apply if the tool is damaged by accident or if repairs arise from normal wear and tear.

The Company accepts no additional liability pursuant to this guarantee for the costs of travelling or transportation of the Product or parts to and from the service dealer or agent - such costs are not included in this guarantee. Certain legislation, including the Trade Practices Act, 1974 (as amended) and other state and territorial laws give rights to the buyer and impose liability on the seller in certain circumstances. Nothing herein shall have the effect of excluding, restricting or modifying any condition, guarantee, right or liability imposed, to the extent only that such exclusion, restriction or modification would render any term herein void.

Guarantee Conditions

This guarantee only applies provided that the Product has been used in accordance with the manufacturer's recommendations under normal use and reasonable care (in the opinion of the Company) and such guarantee

RYOBI

RYOBI TECHNOLOGIES AUSTRALIA PTY. LTD.

A.B.N. 98 002 277 509

SYDNEY: 359-361 Horsley Road, Milperra, N.S.W. 2214.

Contact during normal business hours.

Tel: (02) 9792 9800 - Fax: 1800 807 993 - www.ryobi.com.au

MELBOURNE: 960 Stud Road, Rowville, Vic. 3178
Tel : (03) 9764 8656

BRISBANE: All enquiries Tel : 1300 361 505

TOWNSVILLE: All enquiries Tel : 1300 361 505

PERTH: 33-35 Sorbonne Cres., Canning Vale, W.A. 6155.
Tel : (08) 9455 7775

ADELAIDE: All enquiries Tel : 1300 361 505

HOBART: All enquiries Tel : 1300 361 505

RYOBI NEW ZEALAND PTY. LTD.

AUCKLAND: 27 Clemow Drive, Mt Wellington, N.Z.

Tel: (09) 573 0230 - Free Call: 0800 279 624 - Fax: (09) 573 0231 - www.ryobi.co.nz

Contact during normal business hours.

This Guarantee Form Should Be Retained By The Customer At All Times

For your record and to assist in establishing date of purchase (necessary for in-guarantee service) please keep your purchase docket and this form completed with the following particulars.

Purchased From _____

Address Of Dealer _____

Date _____ Model No _____ Serial No _____

Present: This Form With Your Purchase Docket When Guarantee Service Is Required.