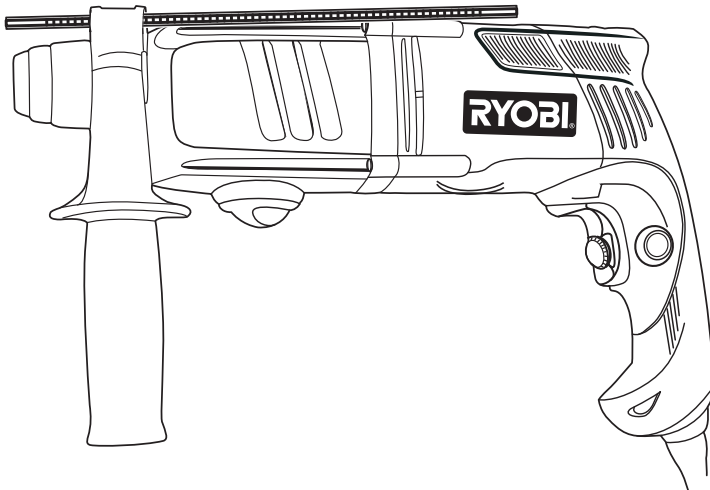




**ERH750VN**

**ROTARY HAMMER DRILL  
OWNER'S OPERATING MANUAL**



**DOUBLE  
INSULATED**



**N197**

**THANK YOU FOR BUYING A RYOBI ROTARY HAMMER DRILL**

Your new rotary hammer drill has been engineered and manufactured to Ryobi's high standard for dependability, ease of operation and operator safety. Properly cared for, it will give you years of rugged, trouble free performance.



**CAUTION: Carefully read through this entire owner's manual before using your rotary hammer drill.**

Pay close attention to the Rules for Safe Operation, Warnings, and Cautions.

If you use your rotary hammer drill properly and only for what it is intended, you will enjoy years of safe, reliable service.

Thank You again for buying Ryobi tools.

**SAVE THIS MANUAL FOR FUTURE REFERENCE.**

# RULES FOR SAFE OPERATION

The purpose of safety rules is to attract your attention to possible dangers. The safety symbols and the explanations with them, require your careful attention and understanding. The safety warnings do not by themselves eliminate any danger. The instruction or warnings they give are not substitutes for proper accident prevention measures.



**SAFETY ALERT SYMBOL.** Indicates caution or warning. May be used in conjunction with other symbols or pictures.



**WARNING:** Failure to obey a safety warning can result in serious injury to yourself or to others. Always follow the safety precautions to reduce the risk of fire, electric shock and personal injury.



**WARNING:** Do not attempt to operate this tool until you have read thoroughly and understood completely, safety rules, etc. contained in this manual. Failure to comply can result in accidents involving fire, electric shock or serious personal injury. Save owners manual and review frequently for continuing safe operation and instructing others who may use this tool.



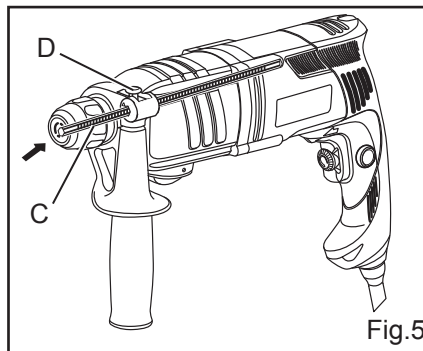
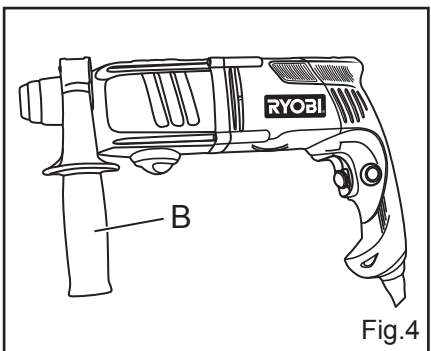
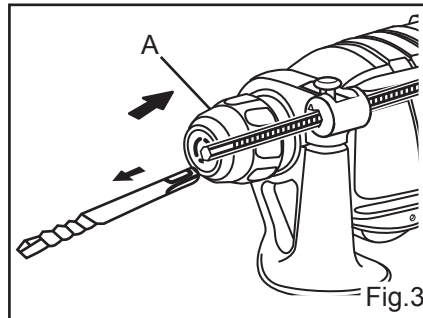
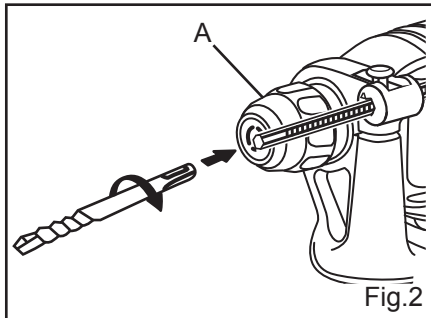
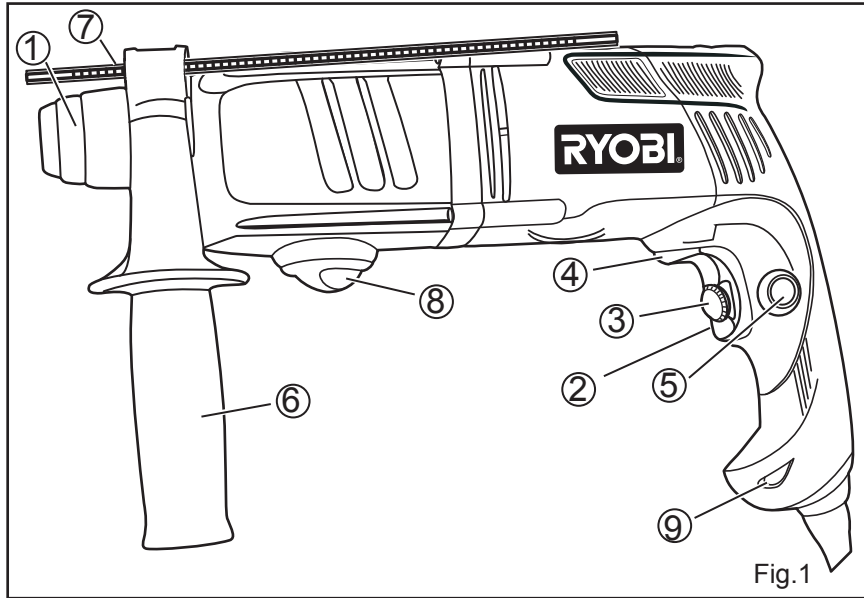
The operation of any tool can result in foreign objects being thrown into your eyes, which can result in severe eye damage. Before beginning power tool operation, always wear safety goggles or safety glasses with side shields and a full face shield when needed. We recommend Wide Vision Safety Mask for use over eyeglasses or standard safety glasses with side shields.

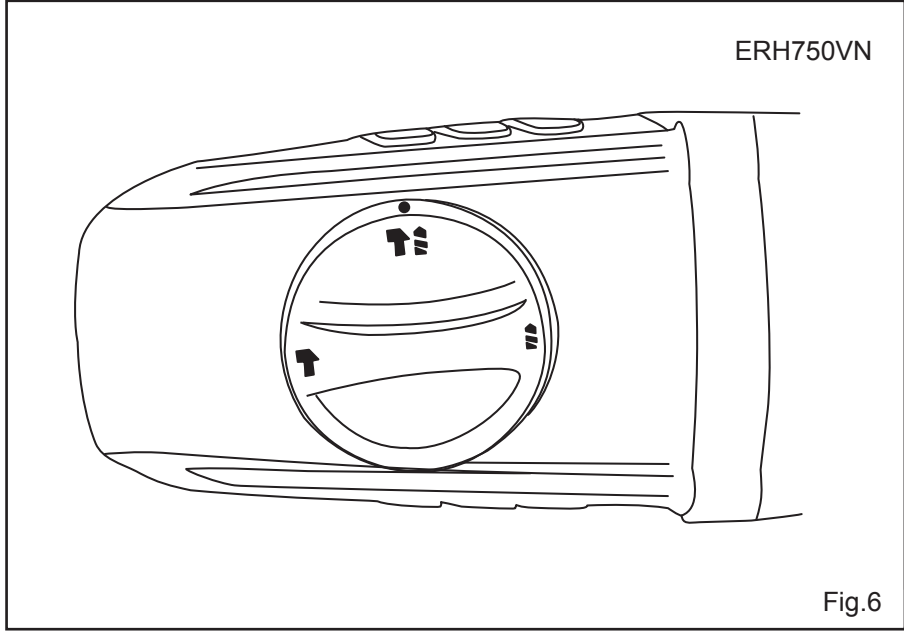
- 1. KNOW YOUR POWER TOOL.** Read owners manual carefully. Learn its applications and limitations as well as the specific potential hazards related to this tool.
- 2. GUARD AGAINST ELECTRICAL SHOCK BY PREVENTING BODY CONTACT WITH GROUNDED SURFACES.** For example, pipes, radiators, ranges, refrigerator enclosures.
- 3. KEEP WORK AREA CLEAN.** Cluttered areas and benches invite accidents.
- 4. AVOID DANGEROUS ENVIRONMENT.** Don't use power tools in damp or wet locations or expose to rain. Keep work area well lit.
- 5. KEEP CHILDREN AND VISITORS AWAY.** Visitors should wear safety glasses and be kept a safe distance from work area. Do not let visitors contact tool or extension cord.
- 6. STORE IDLE TOOLS.** When not in use, tools should be stored in a dry and high or locked-up place, out of reach of children.
- 7. DON'T FORCE TOOL.** It will do the job better and safer at the rate at which it was designed.
- 8. USE RIGHT TOOL.** Don't force small tool or attachment to do the job of a heavy duty tool. Don't use tool for purpose not intended.
- 9. DRESS PROPERLY.** Do not wear loose clothing or jewellery. They can be caught in moving parts. Rubber gloves and non-skid footwear are recommended when working outdoors. Also wear protective hair covering to contain long hair.

- 10. ALWAYS WEAR SAFETY GLASSES.** Everyday eyeglasses have only impact resistant lenses, they are not safety glasses.
- 11. PROTECT YOUR LUNGS.** Wear a dust mask if operation is dusty.
- 12. PROTECT YOUR HEARING.** Wear hearing protection during extended periods of operation.
- 13. DON'T OVERREACH.** Keep proper footing and balance at all times. Do not use tool on a ladder or unstable support. Secure tools when working at elevated levels.
- 14. MAINTAIN TOOLS WITH CARE.** Keep tools sharp and clean for better and safer performance. Follow instructions for lubricating and changing accessories.
- 15. REMOVE ADJUSTING KEYS AND WRENCHES.** Form a habit of checking to see that keys and adjusting wrenches are removed from tool before turning it on.
- 16. NEVER USE IN AN EXPLOSIVE ATMOSPHERE.** Normal sparking of the motor could ignite fumes.
- 17. KEEP HANDLES DRY, CLEAN AND FREE FROM OIL AND GREASE.** Always use a clean cloth when cleaning. Never use brake fluids, gasoline, petroleum based products, or any strong solvents to clean your tool.
- 18. STAY ALERT AND EXERCISE CONTROL.** Watch what you are doing and use common sense. Do not operate tool when you are tired. Do not rush operation of tool.
- 19. CHECK DAMAGED PARTS.** Before further use of the tool, a guard or any other part that is damaged should be carefully checked to determine that it will operate properly and perform its intended function. Check for alignment of moving parts, binding of moving parts, breakage of parts, mounting and any other conditions that may affect its operation. A guard or any other part that is damaged should be properly repaired or replaced by an authorised service centre.
- 20. DO NOT USE TOOL IF SWITCH DOES NOT TURN IT ON AND OFF.** Have defective switches replaced by authorised service centre.
- 21. DO NOT OPERATE THIS TOOL WHILE UNDER THE INFLUENCE OF DRUGS, ALCOHOL OR ANY MEDICATION.**
- 22. THE APPLIANCE IS NOT INTENDED FOR USE BY YOUNG OR INFIRM PERSONS WITHOUT SUPERVISION. YOUNG CHILDREN SHOULD BE SUPERVISED TO ENSURE THAT THEY DO NOT PLAY WITH THE APPLIANCE.**

## SAVE THESE INSTRUCTIONS FOR FUTURE REFERENCE

Due to continued product refinement policy, product features and specifications can and will change without notice. Check current features and specifications with your retailer.





## DESCRIPTION (FIG. 1)

1. Locking Collar
2. Trigger Switch
3. Variable Speed Dial
4. Rotation Reverse Lever
5. Lock On Button
6. Auxiliary Handle
7. Depth Stop
8. Mode Selector
9. Livetool Indicator™

## PRODUCT SPECIFICATIONS

	ERH750VN
Voltage	240V 50 Hz AC only
Power consumption	750W
No Load speed	0 - 1100 min <sup>-1</sup>
Maximum drilling capacity:	
- steel	13 mm
- concrete / stone	24 mm
Tool attachment	SDS-Plus
Weight	3.20 Kg

## SAFETY PRECAUTIONS



### Important

To protect yourself from the risk of electric shock, injury and fire when using an electric tool, it is imperative to take the following basic safety precautions. Before you use your tool, read these instructions carefully and make sure that you understand them thoroughly.

- Make sure that the supply voltage (Volts) used corresponds to the voltage marked on the tool's rating plate.
- Make sure of your footing when drilling freehand.
- Before drilling, use a line detector to locate concealed electric, water or gas lines in walls. Avoid touching live components or conductors.
- Wear goggles and use a dust mask on jobs generating dust.
- Do not use your rotary hammer drill near flammable liquids or gases.

- Always pull the plug out of the socket before cleaning your tool or changing accessories.
- Keep the power cable in good condition. Oil and acid can damage the cable.
- Never overload the tool.
- Make sure your workplace is safe.



### Important

It is imperative to follow all national safety regulations concerning installation, operation and maintenance of the tool.

- If incorrectly fitted, chisel bits and drill bits may be flung out of the tool accidentally and cause serious injury. Before you start using your rotary hammer drill, always check that the chisel or drill bit is properly locked in the chuck.
- Examine the chuck regularly for signs of wear or damage.
- Always press the rotary hammer drill against the work surface (wall, ceiling etc.) before you start it.
- When you are finished, unplug the rotary hammer drill from the power supply and remove the chisel or drill bit.
- Always disconnect the rotary hammer drill from the power supply before you change the chisel or drill bit.

## ITEMS SUPPLIED

- Storage carry case
- Rotary hammer drill
- Depth gauge
- Auxiliary handle
- 1 x 13 mm Keyless chuck
- 1 x 13 mm chuck adaptor
- 1 x 6 mm x 160 mm SDS bits
- 1 x 8 mm x 160 mm SDS bits
- 1 x 10 mm x 160 mm SDS bits
- 1 x Flat chisel (W17 mm x L250 mm)

## SAFETY PRECAUTIONS

- Wear work gloves to protect fingers from bruising and grazing.
- Vibrations can injure the hand-arm system. Keep exposure to vibrations as short as possible.
- Always keep the power cord behind the tool.
- Store the tool out of the reach of children.
- When using the tool, always hold it with both hands and ensure that you have stable footing.
- Chisels may only be used with ERH750VN with Roto-stop engaged.

## BEFORE STARTING TO USE YOUR ROTARY HAMMER DRILL

- Examine the place where the tool is to be used for hidden electrical cables, gas and water pipes using a pipe finding device.
- Before you plug in your tool, make sure that the supply voltage used corresponds to that indicated on the rating plate.

## FITTING AND CHANGING BITS (FIG. 2)

The device is equipped with an SDS-plus attachment system.

- Clean the bit and grease it with a thin layer of machine grease before inserting it into the chuck.
- Pull back the locking collar (A, Fig. 2) and hold it.
- Push and rotate the dust-free bit into the bit holder as far as it will go.
- Release the locking collar to lock the bit.
- Check that it has locked by pulling on it.

## REMOVING THE BIT FROM THE SDS-PLUS SYSTEM (FIG.3)

Pull back the Locking collar (A) and remove the bit.

## SWITCHING ON/OFF

- **Speed control**  
The speed of the drill may be varied by increasing the pressure exerted on the trigger (2). The speed will increase as more pressure is applied. To limit the maximum speed of the drill, rotate the dial (3) on the front of the trigger until the desired setting is achieved.

## Lock-on button

If you want to keep your rotary hammer drill operating at a constant speed, press the lock-on button (5) while pressing the variable switch. To unlock this function, briefly press the trigger switch (2) then release it.

## AUXILIARY HANDLE (FIG. 4)

For reasons of safety, only use the rotary hammer drill when it is fitted with the auxiliary handle.

To loosen the auxiliary handle, rotate the handle anticlockwise until the handle assy is free to move. Position the handle as required then lock securely by rotating the handle clockwise until it is tight.

## DEPTH GAUGE (FIG. 5)

Fit the depth stop. Loosen wing bolt D to adjust the depth stop. The depth of the hole drilled will be equal to the distance between the end of the drill bit and the front end of the depth stop.

## MODE SELECTOR (FIG. 6)

Your rotary hammer drill is equipped with a hammer stop facility for smooth drilling into timber and plastics.

- To deactivate the hammer action, turn the mode selector (8) clockwise to "▲▼"
- To reactivate the hammer action, the mode selector (8) has to be reset to "▲▼"

You can use the selector to change modes even when the hammer drill is operating (at low speed). The selected mode is only activated once the trigger switch (2) is pressed to start the tool.

Note: Anti-clockwise rotation during impact drilling damages the drill bit. Deactivate the hammer action when using a diamond drill bit.

## ROTATION STOP

The mode selector features a third position, Rotation Stop Mode "←", which stops the rotation of the tool whilst maintaining the hammer action. This feature enables the tool to be used for chiselling, when fitted with the appropriate bit.

## REVERSING THE DIRECTION OF ROTATION

The direction of rotation of the drill may be changed by the use of the reverse lever (4) on the switch, situated above the trigger. The position of this should only be changed when the drill is at a standstill.

The reverse lever has two positions:

- **Clockwise rotation:** Set the reverse lever to the right position.
- **Anti-clockwise rotation:** Set the reverse lever to the left position.



### Important

When hammer drilling, you do not need to force the drill. Too much pressure will place unnecessary load on the motor. Check the drill bits regularly. Re-sharpen or replace blunt drill bits.

## Livetool Indicator™

This tool features a Livetool Indicator™ (9) which illuminates as soon as the tool is connected to the power supply. This warns the user that the tool is connected to live power and will operate when the switch is pressed.

## MAINTENANCE

- Unplug the rotary hammer drill before making any adjustment, servicing or cleaning the tool.
- Keep your machine clean at all times.
- Never use caustic agents to clean the plastic parts.
- At the end of your work, to prevent dust deposits you should use compressed air (max. 3 bar) to clean out the ventilation slots.
- Check the carbon brushes regularly (dirty or worn carbon brushes result in excessive sparking and After use, check the tool to make sure that it is in good condition.

It is recommended that you take this tool to a Ryobi Authorized Service Centre for a through cleaning and lubrication at least once a year.

**DO NOT MAKE ANY ADJUSTMENTS WHILE THE MOTOR IS IN MOTION.**

**ALWAYS DISCONNECT THE POWER CORD FROM THE POWER SUPPLY BEFORE CHANGING REMOVABLE OR CONSUMABLE PARTS LUBRICATING OR WORKING ON THE UNIT.**

**If the supply cord is damaged, it shall be replaced by the manufacturer or its service agent or similar qualified person in order to avoid a hazard.**

**SAVE THESE INSTRUCTIONS FOR FUTURE REFERENCE.**

**RYOBI TECHNOLOGIES AUSTRALIA PTY. LTD.**

# **GUARANTEE**



Subject to the guarantee condition below, this Ryobi tool (hereinafter called "the product") is guaranteed by Ryobi (hereinafter called "the Company") to be free from defects in material or workmanship for a period of 24 months from the date of original purchase covering both parts and labour. Under the terms of this guarantee, the repair or replacement of any part shall be the opinion of the Company or its authorised agent. Should service become necessary during the warranty period, the owner should contact the RYOBI HELPLINE 1300 361 505 or contact the retailer from whom the product was purchased.

In order to obtain guarantee service, the owner must present the sales docket and Guarantee Certificate to confirm date of purchase. This product is sold by the dealer or agent as principal and the dealer has no authority from the Company to give any additional guarantee on the Company's behalf except as herein contained or herein referred to.

#### **Guarantee Conditions**

This guarantee only applies provided that the Product has been used in accordance with the manufacturer's recommendations under normal use and reasonable care (in the opinion of the Company) and such

guarantee does not cover damage, malfunction or failure resulting from misuse, neglect, abuse, or used for a purpose for which it was not designed or is not suited and no repairs, alterations or modifications have been attempted by other than an Authorised Service Agent. This guarantee will not apply if the tool is damaged by accident or if repairs arise from normal wear and tear.

The Company accepts no additional liability pursuant to this guarantee for the costs of travelling or transportation of the Product or parts to and from the service dealer or agent - such costs are not included in this guarantee.

Certain legislation, including the Trade Practices Act, 1974 (as amended) and other state and territorial laws give rights to the buyer and impose liability on the seller in certain circumstances. Nothing herein shall have the effect of excluding, restricting or modifying any condition, guarantee, right or liability imposed, to the extent only that such exclusion, restriction or modification would render any term herein void.

# **RYOBI®**

#### **RYOBI TECHNOLOGIES AUSTRALIA PTY. LTD.**

A.B.N. 98 002 277 509

SYDNEY: 359-361 Horsley Road, Milperra, N.S.W. 2214.

Contact during normal business hours.

Tel: (02) 9792 9800 - Fax: 1800 807 993 - [www.ryobi.com.au](http://www.ryobi.com.au)

#### **BRISBANE :**

All enquiries Tel : 1300 361 505

#### **TOWNSVILLE:**

All enquiries Tel : 1300 361 505

#### **MELBOURNE:**

960 Stud Road, Rowville, Vic. 3178

Tel : (03) 9764 8656

#### **HOBART:**

All enquiries Tel : 1300 361 505

#### **ADELAIDE:**

All enquiries Tel : 1300 361 505

#### **PERTH:**

33-35 Sorbonne Cres. Canning Vale, W.A. 6155

Tel : (08) 9455 7775

#### **RYOBI NEW ZEALAND PTY. LTD.**

**AUCKLAND:** 27 Clemow Drive, Mt Wellington, N.Z.

Tel: (09) 573 0230 - Free Call: 0800 279 624 - Fax: (09) 573 0231 - [www.ryobi.co.nz](http://www.ryobi.co.nz)

Contact during normal business hours.

### **This Guarantee Form Should Be Retained By The Customer At All Times**

For your record and to assist in establishing date of purchase (necessary for in-guarantee service) please keep your purchase docket and this form completed with the following particulars.

Address Of Dealer \_\_\_\_\_

Date \_\_\_\_\_ Model No \_\_\_\_\_ Serial No \_\_\_\_\_

Present This Form With Your Purchase Docket When Guarantee Service Is Required.