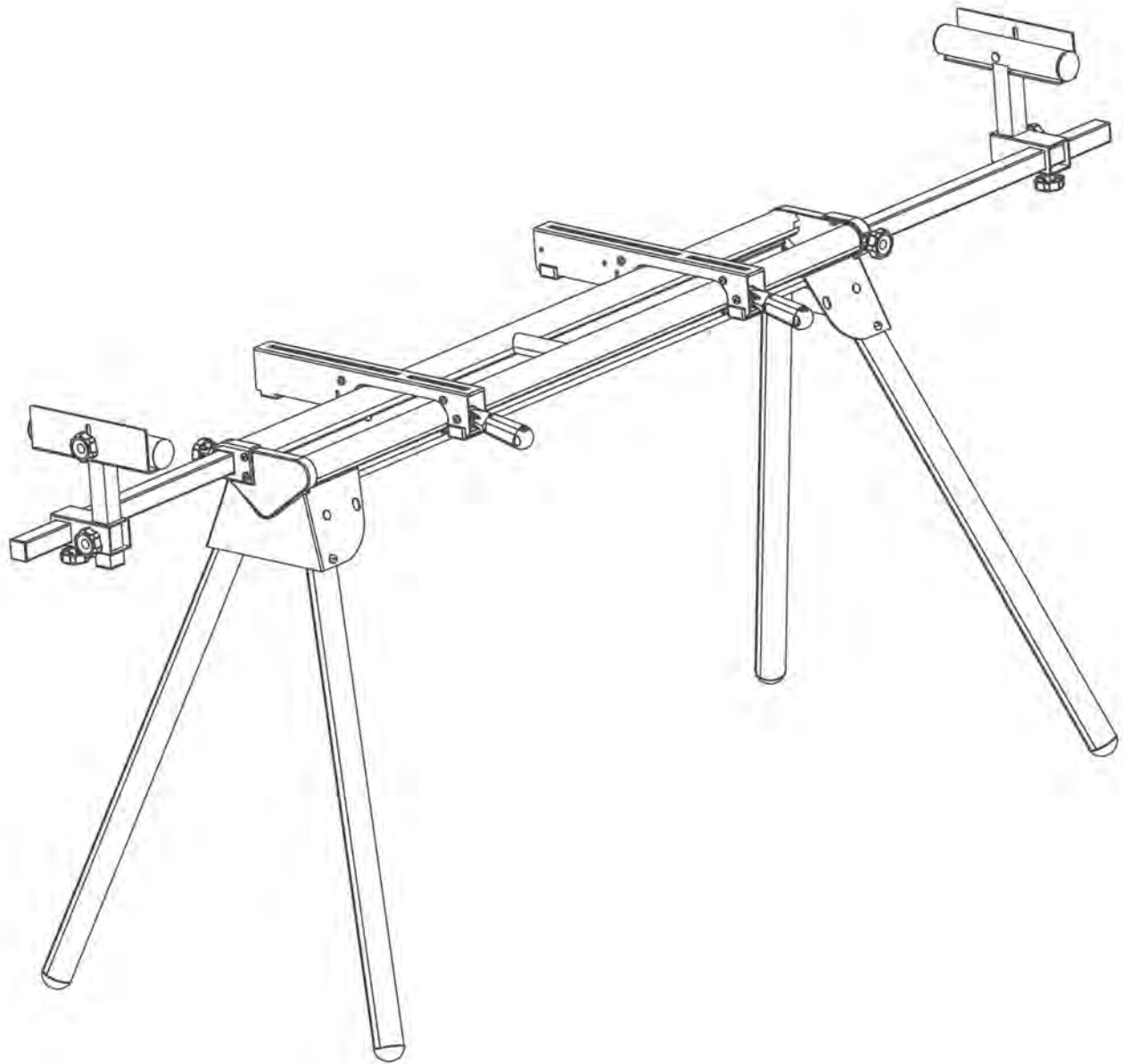




# OPERATOR'S MANUAL

## MITRE SAW STAND

### AMS-02



Your mitre saw stand has been engineered and manufactured to Ryobi's high standard for dependability, ease of operation, and operator safety. When properly cared for, it will give you years of rugged, trouble-free performance.

**WARNING:** To reduce the risk of injury, the user must read and understand the operator's manual before using this product.

Thank you for buying a Ryobi product.

**SAVE THIS MANUAL FOR FUTURE REFERENCE**

# TABLE OF CONTENTS

■ Rules for Safe Operation .....	2
■ Symbols.....	2-3
■ Features.....	3
■ Assembly.....	4-8
■ Operation.....	8-10
■ Maintenance.....	11

## RULES FOR SAFE OPERATION

Safe operation of this accessory requires that you read and understand this operator's manual, the operator's manual for the table saw and all labels affixed to the tool.

### READ ALL INSTRUCTIONS

- **Know your accessory.** Read the operator's manual carefully. Learn its applications and limitations, as well as the specific potential hazards related to this accessory.
- **Keep the work area clean.** Cluttered work areas and work benches invite accidents.
- **Always wear safety glasses with side shields.** Everyday glasses have only impact resistant lenses. They are NOT safety glasses.
- **This stand will accommodate many mitre saws. However, it should never be used on any mitre saw or slide mitre saws with a blade diameter larger than 305mm. Always confirm any mitre saw used is mounted securely and is stable before plugging in the mitre saw. Before turning on the saw, perform a dry run of the cutting operation**

**just to make sure that no problems will occur when the cut is made.**



- **Do not modify or use this stand for any purpose for which it is not intended.**
- **This stand is designed to be used on a flat stable surface. Do not use the stand on an uneven surface. Be sure to allow enough room to handle and properly support the workpiece.**
- **Follow the tool mounting instructions carefully, and ensure the tool is fastened securely.**
- **Maximum weight of the mitre saw and workpiece together must not exceed 181kg.**
- **Do not apply an unbalanced load that could cause the mitre saw stand to tip over.**
- **Save these instructions.** Refer to them frequently and use them to instruct others who may use this accessory. If you loan someone this accessory, loan them these instructions also to prevent misuse of the product and possible injury.

### WARNING:

This stand is designed for use with mitre saws or slide mitre saws with a blade diameter not larger than 305mm.

## SYMBOLS




The following signal words and meanings are intended to explain the levels of risk associated with this product.

SYMBOL	NAME	DESIGNATION/EXPLANATION
	<b>Eye Protection</b>	Always wear safety goggles, safety glasses with side shields, or a full face shield when operating this product.
	<b>Pinch Point</b>	To reduce the risk of injury or damage, avoid contact with any pinch point.

**NOTE:** Advises you of information or instructions vital to the operation or maintenance of the equipment.

# SYMBOLS

The following signal words and meanings are intended to explain the levels of risk associated with this product.

SYMBOL	SIGNAL	MEANING
	<b>DANGER:</b>	Indicates an imminently hazardous situation, which, if not avoided, will result in death or serious injury.
	<b>WARNING:</b>	Indicates a potentially hazardous situation, which, if not avoided, could result in death or serious injury.
	<b>CAUTION:</b>	Indicates a potentially hazardous situation, which, if not avoided, may result in minor or moderate injury.
	<b>CAUTION:</b>	(Without Safety Alert Symbol) Indicates a situation that may result in property damage.

# FEATURES

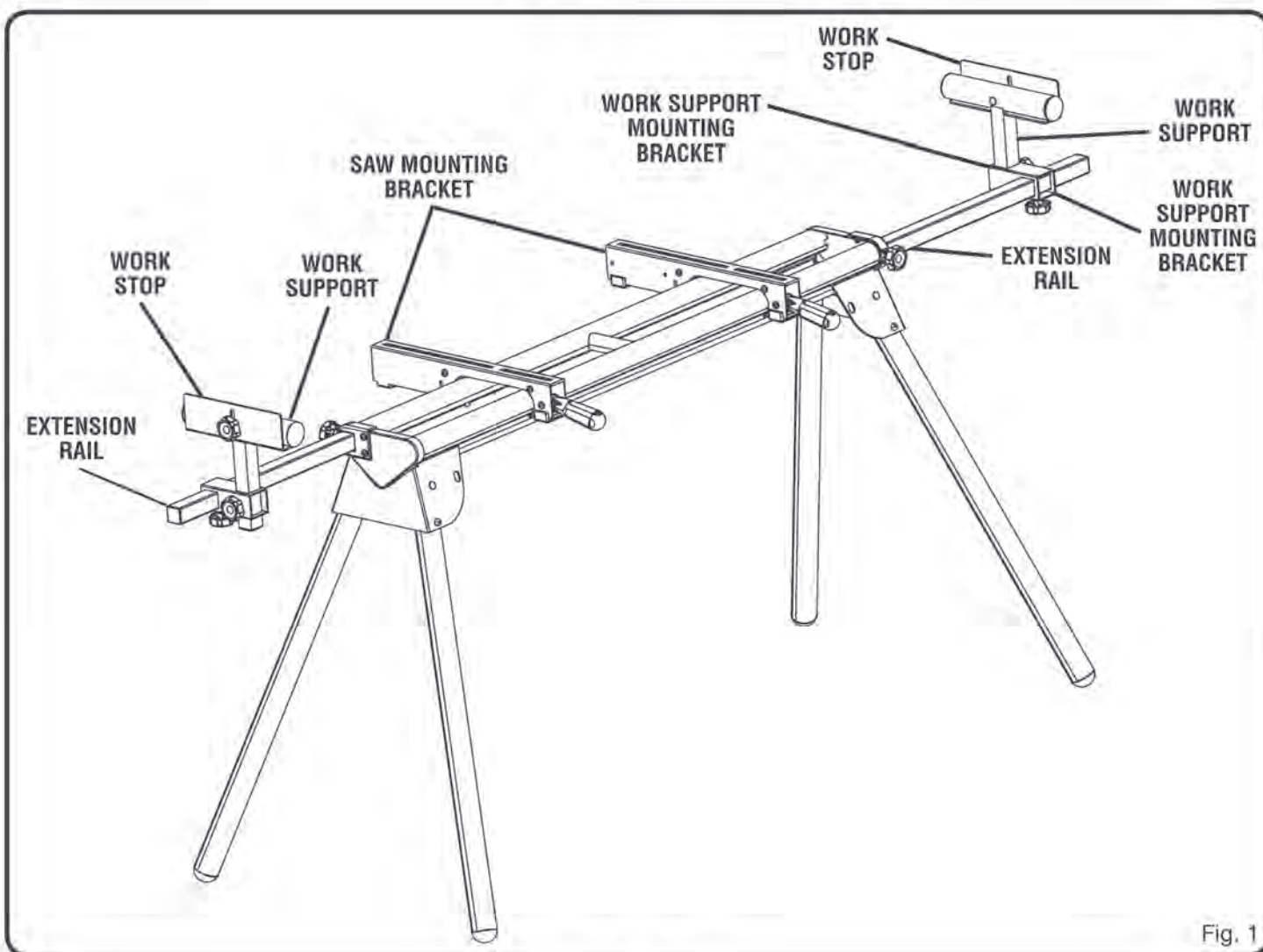


Fig. 1

# ASSEMBLY

## UNPACKING

This product requires some assembly.

- Carefully remove the tool and any accessories from the box. Make sure that all items listed in the packing list are included.
- Inspect the tool carefully to make sure no breakage or damage occurred during shipping.
- Do not discard the packing material until you have carefully inspected and satisfactorily operated the tool.
- If any parts are damaged or missing, please call your nearest Ryobi Authorised service agent for assistance.

### WARNING:

If any parts are missing do not operate this tool until the missing parts are replaced. Failure to do so could result in possible serious personal injury.

### WARNING:

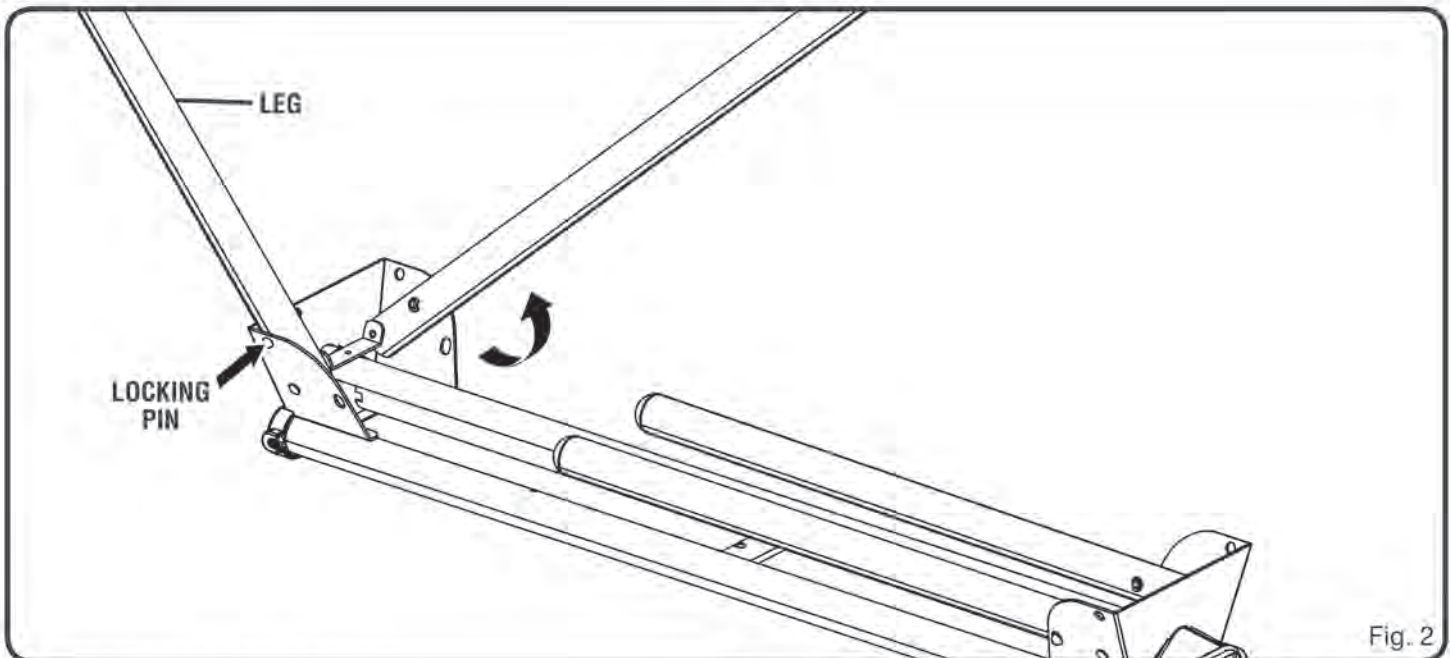
Do not attempt to modify this tool or create accessories not recommended for use with this tool. Any such alteration or modification is misuse and could result in a hazardous condition leading to possible serious personal injury.

### WARNING:

Do not connect to power supply until assembly is complete. Failure to comply could result in accidental starting and possible serious personal injury.

## PACKING LIST

- Mitre Saw Stand
- Saw Mounting Brackets (2)
- Work Supports (2)
- Work Support Mounting Brackets (2)
- Work Stops (2)
- Extension Adjustment Knobs (M8 x 25 mm) (2)
- Length Adjustment Knobs (M8 x 15 mm) (2)
- Height Adjustment Knobs (M8 x 15 mm) (2)
- Work Stop Adjustment Knobs (2)
- Carriage Bolts (M6 x 60 mm) (2)
- Carriage Bolts (M8 x 50mm) (4)
- Flat Washers (4)
- Lock Washers (4)
- Nuts (4)



## PREPARING THE STAND

See Figure 2.

- Lay the stand's top surface down on the floor with the folded legs on top.
- Push in a leg locking pin and rotate that leg up until the locking pin clicks into place.
- Repeat with the remaining three legs.
- Lift the stand and place it in an upright position.
- Check to ensure the stand is stable and all the legs have the locking pins engaged.

# ASSEMBLY

## ASSEMBLING AND INSTALLING MATERIAL WORK SUPPORTS

See Figures 3 - 5.

The material work supports help balance the workpiece during cutting operations.

### To assemble the work support:

- Slide a carriage bolt (M6 x 60 mm) through the square hole in the work support and extend through the other side.
- Place the work stop over the end of the bolt
- Thread a work stop adjustment knob over the end of the bolt and tighten to secure.
- Slide the work support rail through the hole in the top of the work support mounting bracket.
- Insert the height adjustment knob through the small hole on the side of the work support mounting bracket and tighten to secure.

### To install the work supports:

- Slide the work support mounting bracket over the extension rail so that the extension rail extends through the opening in the bracket. Position the work support at the desired location on the extension rail.
- Insert a length adjustment knob through the opening in the bottom of the work support mounting bracket and tighten to secure.
- Repeat with the other support.

## ATTACHING SAW MOUNTING BRACKETS

See Figures 6 - 7.

Always position the saw to achieve maximum balance and stability. All four corners of the saw must be bolted to the mounting brackets before use. Make sure bolts do not extend above the table of the mitre saw.

### If the saw has holes that line up with the slots in the saw mounting brackets:

- Unplug the saw and lock the saw arm in the down position.
- Place a 50x100mm or similar type of stable support underneath the saw to raise the saw and allow access to the saw's mounting feet.
- Place a saw mounting bracket underneath the raised side of the saw, aligning the mounting holes on the mitre saw base with the slot in the top of the bracket.
- Feed a carriage bolt up through both the bracket and a mounting hole in the saw.
- Secure in place using a flat washer, lock washer and nut.
- Repeat through the other end of the same bracket.
- Place the second saw mounting bracket underneath the other side of the saw, aligning the mounting holes on the mitre saw base with the opening in the bracket.

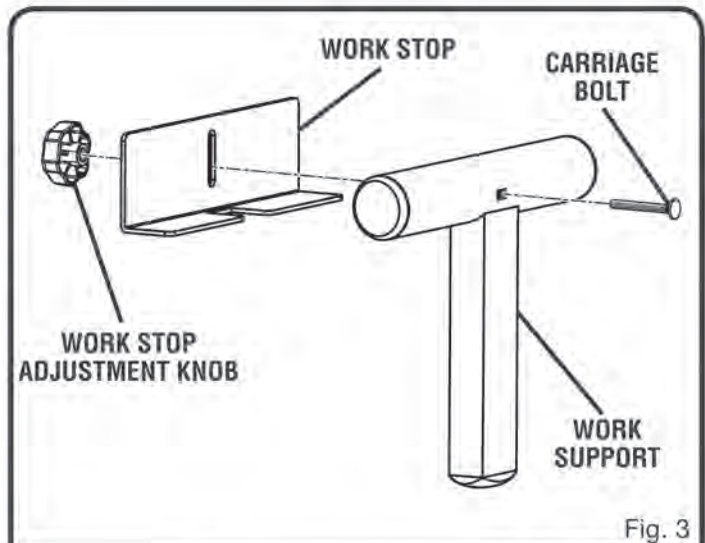


Fig. 3

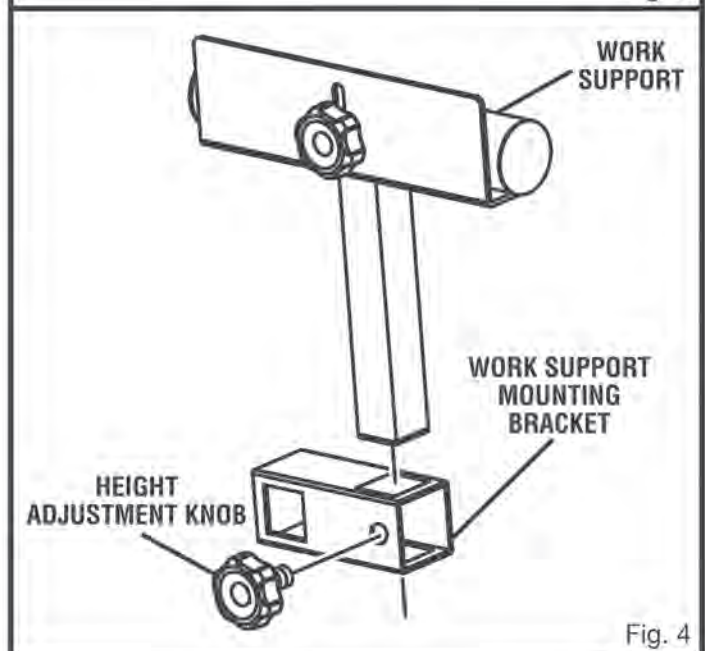


Fig. 4

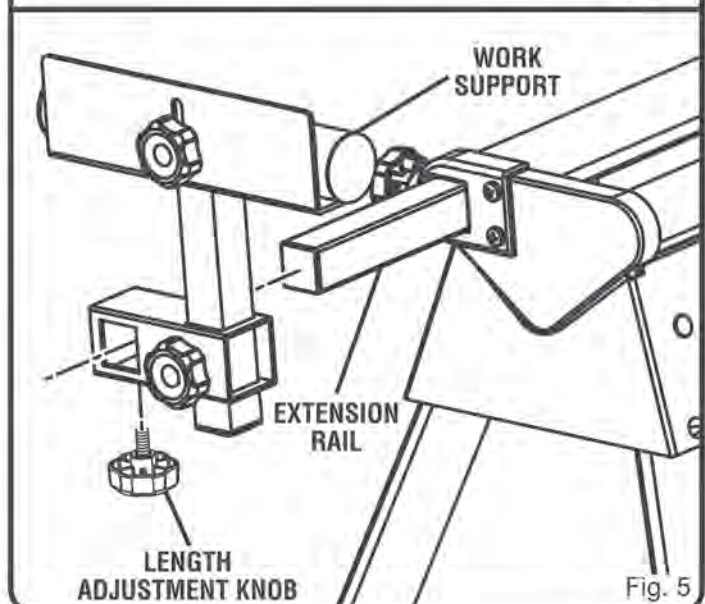


Fig. 5

# ASSEMBLY

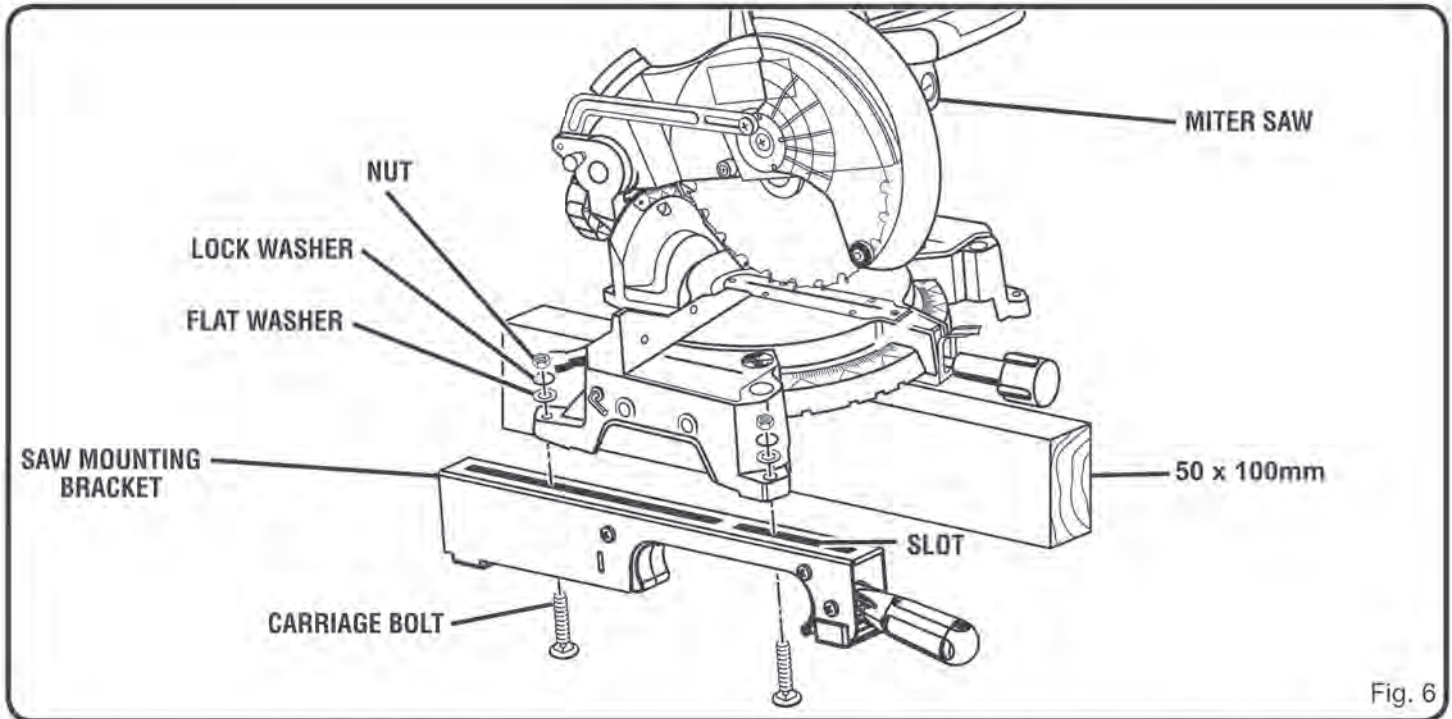


Fig. 6

- Install carriage bolts as previously described.
- After making sure both brackets are parallel to each other, finger tighten all four nuts to hold in position.

**If the saw has holes that do not line up with the slots in the saw mounting brackets:**

- Unplug the saw and lock saw arm in the down position.

- Mount the saw to a mounting surface at least 12.7mm thick using M8 hex head screws, washers, and nuts (not included).
- Drill holes in the mounting surface to match the slots in the saw mounting brackets.
- Proceed with installation as previously described.

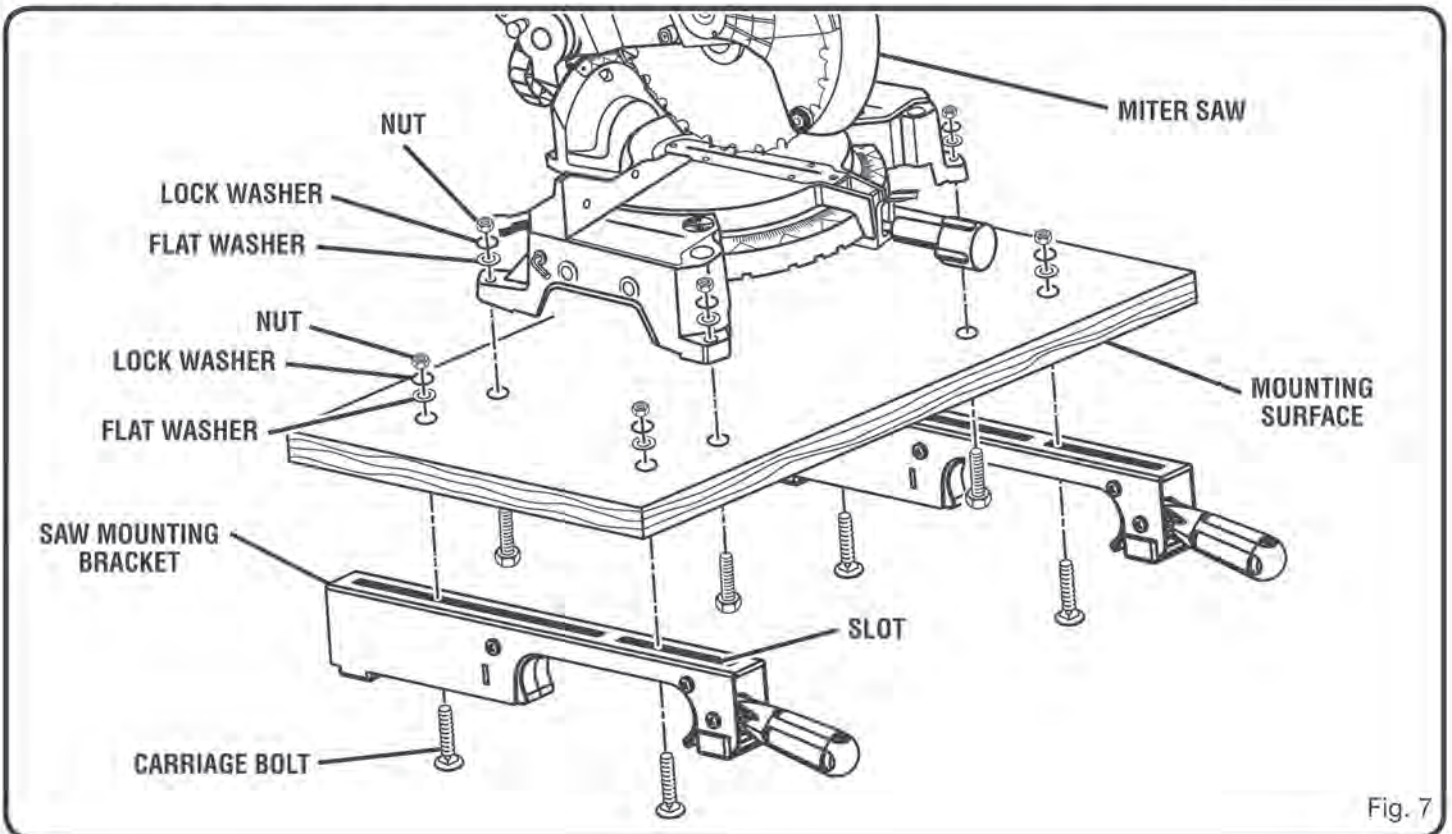


Fig. 7

# ASSEMBLY

## MOUNTING THE MITRE SAW TO THE STAND

See Figures 8 - 9.

Use the handles located at the rear of the mounting brackets to aid in installing or removing saw and bracket assembly.

- Lift the saw and bracket assembly, allowing the assembly to tilt slightly toward your body.
- While still tilted toward you, hook the front edge of the bracket assembly onto the front rail of the stand.

### WARNING:

To avoid serious personal injury, make sure the curved front edge of the mounting brackets are securely seated over the front rail before seating the other end of the brackets. Failure to do so could cause you to lose control of the saw mounting assembly, which could cause serious personal injury.

- Lower the bracket assembly to allow the rear edge of the bracket to seat fully over the rear rail.

- Lock the brackets in position by lowering the locking levers.

**NOTE:** Continue to hold the mounting bracket assembly with one hand until both levers are securely locked.

- Check position and adjust, if necessary, to make sure the weight of the saw is evenly balanced over the rails as shown in figure 9.
- Ensure the saw is fully seated and locked in position, then securely tighten the four nuts holding the saw to the saw mounting brackets.

### To remove saw from stand:

- Raise the locking levers to unlock the saw and mounting bracket assembly.
- Grasp the handles on either side of the assembly and lift away from the rear rail of the stand to disengage.
- With the assembly tilted slightly toward you, lift the front part of the assembly to disengage from the front rail of the stand.

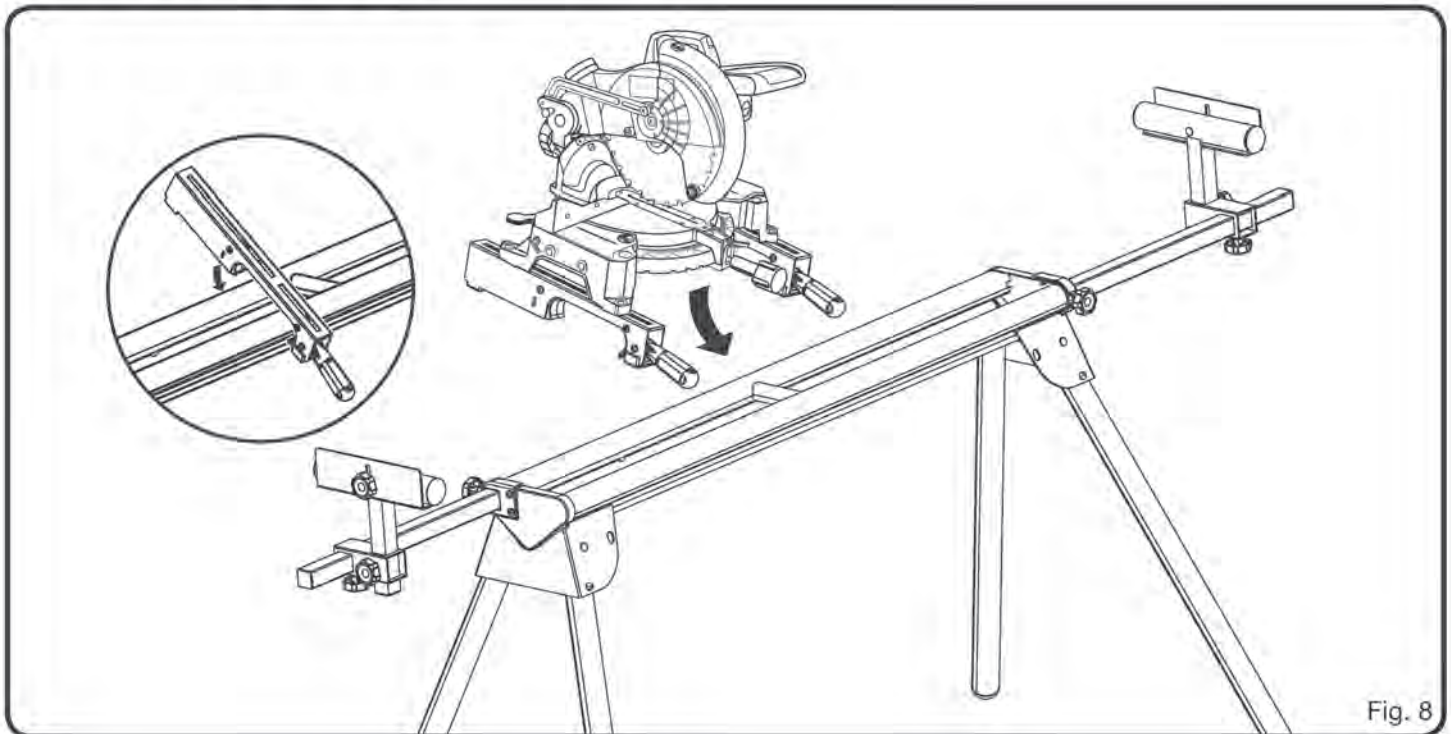


Fig. 8

### WARNING:

The mounting brackets are designed to fit snugly over the stand rails. With the locking levers in the lowered (locked) position, you should not be able to remove the saw and bracket assembly from the rails. If the mounting brackets will not fit over the rails, or if the mounting brackets can be removed from the rails when the levers are locked, remove from the saw and bracket assembly immediately and tighten the bracket adjustment screw as described in the *Maintenance* section of this manual. Failure to heed this warning may result in serious personal injury.

## ASSEMBLY

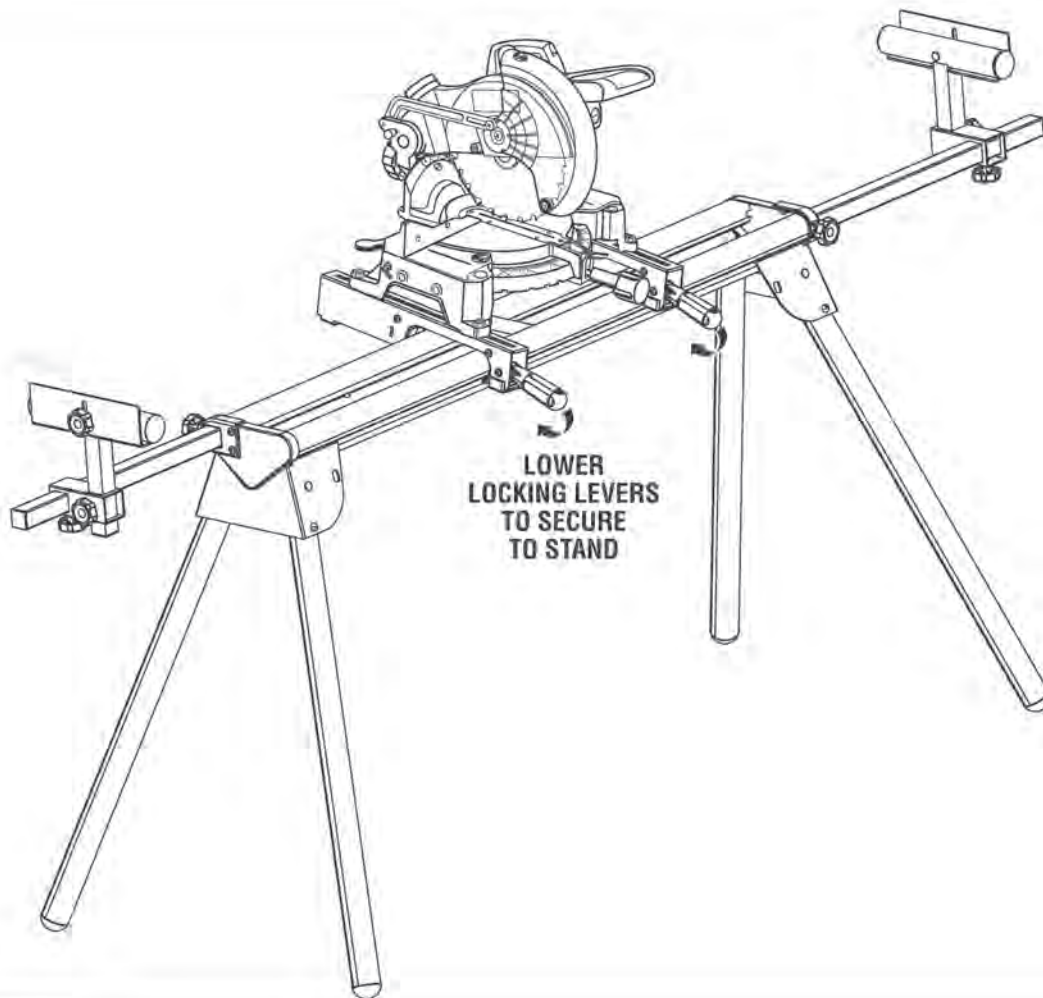


Fig. 9

## OPERATION

### **⚠ WARNING:**

Do not allow familiarity with tools to make you careless. Remember that a careless fraction of a second is sufficient to inflict serious injury.

### **⚠ WARNING:**

Always wear safety goggles or safety glasses with side shields when operating tools. Failure to do so could result in objects being thrown into your eyes, resulting in possible serious injury.

### **⚠ WARNING:**

Do not use any attachments or accessories not recommended by the manufacturer of this tool. The use of attachments or accessories not recommended can result in serious personal injury.

### **APPLICATIONS**

You may use this tool for the following purpose:

- To provide a stable, secure work surface for a mitre saw

# OPERATION

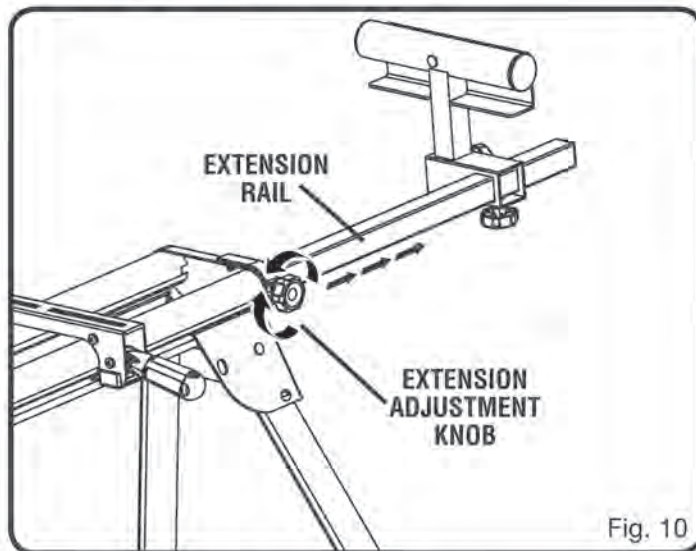
## USING THE EXTENSION RAILS

See Figure 10.

Use the extension rails when working with larger workpieces.

### To extend the rails:

- Loosen the extension adjustment knob.
- Extend the rail to the desired position.
- Tighten the extension adjustment knob.



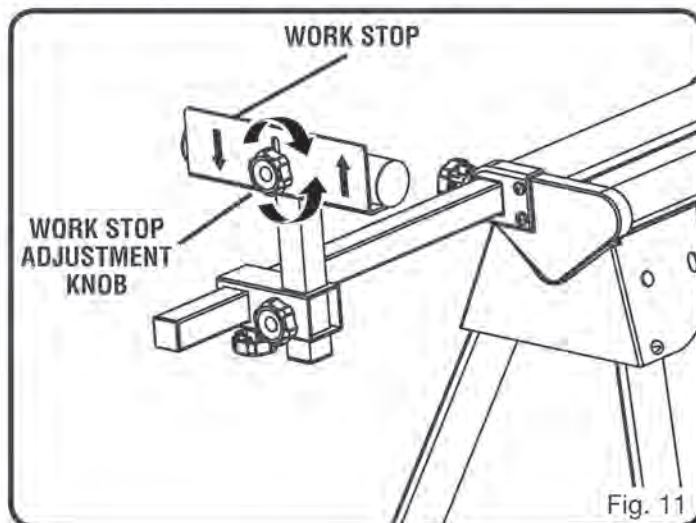
## USING THE WORK STOPS

See Figure 11.

Raise the work stops whenever you need to make repetitive cuts of the same size. To avoid a greater risk of binding or pinching, do not use both work stops at the same time.

### To raise the work stops:

- Loosen the work stop adjustment knob.
- Raise the work stop to the desired position.
- Tighten the work stop adjustment knob.



## BUILDING AND INSTALLING AN OPTIONAL WORKSHELF

See Figures 12 - 14.

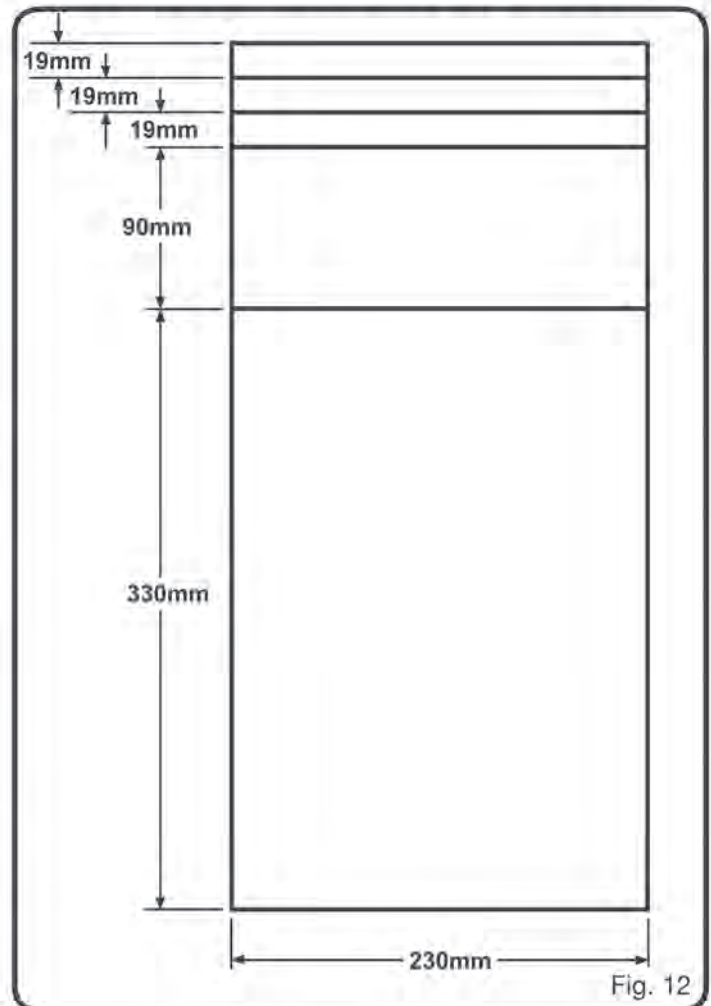
Use the following directions, if desired, to build a worksheff for the mitre stand.

### Materials needed:

- 230 x 500mm plywood, 19mm thick
- 8 wood screws, 31.75mm length
- Drill and bit to drill and countersink screw holes

### Building the worksheff:

- Make cuts as shown in the cutting diagram below.



- Cut the ends of the three 19mm pieces so that two are 150mm long and one is 192mm long.
- Align the two 19mm x 150mm plywood strips vertically along the left and right sides of the 230 x 330mm base, making sure the front edges are flush.
- Pre-drill and countersink holes for screws in each of the strips as shown in figure 13; install screws.

**NOTE:** Locate the screws at least 50mm away from the bottom corners of the assembly.

# MAINTENANCE

## **⚠ WARNING:**

When servicing, use only identical Ryobi replacement parts. Use of any other parts may create a hazard or cause product damage.

## **⚠ WARNING:**

Always wear safety goggles or safety glasses with side shields during power tool operation or when blowing dust. If operation is dusty, also wear a dust mask.

## GENERAL MAINTENANCE

Avoid using solvents when cleaning plastic parts. Most plastics are susceptible to damage from various types of commercial solvents and may be damaged by their use. Use clean cloths to remove dirt, dust, oil, grease, etc.

## **⚠ WARNING:**

Do not at any time let brake fluids, gasoline, petroleum-based products, penetrating oils, etc., come in contact with plastic parts. Chemicals can damage, weaken or destroy plastic which may result in serious personal injury.

## BRACKET ADJUSTMENT SCREW

See Figure 15.

Mounting brackets are designed to fit snugly over the stand rails. With the locking levers in the lowered (locked) position, you should not be able to remove the saw and bracket assembly from the rails. If the saw and bracket assembly can be removed from the rails when the levers are locked, the bracket adjustment screws need to be tightened. If the saw and bracket assembly will not fit over both rails, the bracket adjustment screws needs to be loosened.

**NOTE:** The saw should be removed from the mounting brackets before attempting to tighten or loosen the bracket adjustment screws.

## To adjust:

- Use a wrench to slightly loosen the nut.
- Turn the screw with a phillips screwdriver. Rotate clockwise if the bracket assembly needs to be tightened or counterclockwise if the assembly needs to be loosened.
- Install the bracket on the mitre stand rails and lower the locking lever to check the adjustment.
- When the correct position is achieved, wrench tighten the nut to secure.
- Repeat with the second mounting bracket.

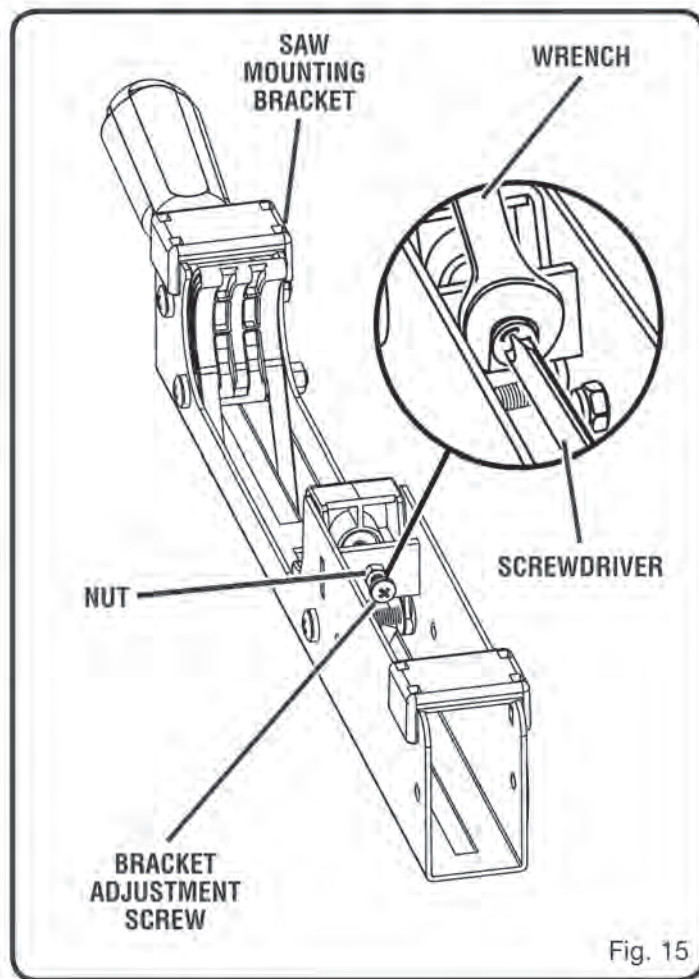


Fig. 15



**TECHTRONIC INDUSTRIES AUSTRALIA PTY LIMITED**

**GUARANTEE**



Subject to the guarantee condition below, this Ryobi tool (hereinafter called "the product") is guaranteed by TECHTRONIC INDUSTRIES AUSTRALIA PTY LIMITED (hereinafter called "the Company") to be free from defects in material or workmanship for a period of 24 months from the date of original purchase covering both parts and labour. Under the terms of this guarantee, the repair or replacement of any part shall be the opinion of the Company or its authorised service centre. Should service become necessary during the warranty period, the owner should contact the customer service HELPLINE 1300 361 505 or contact the retailer from whom the product was purchased.

In order to obtain guarantee service, the owner must present the sales docket and Guarantee Certificate to confirm date of purchase. This product is sold by the dealer or service centre as principal and the dealer has no authority from the Company to give any additional guarantee on the Company's behalf except as herein contained or herein referred to.

**Guarantee Conditions**

This guarantee only applies provided that the Product has been used in accordance with the manufacturer's recommendations under normal use and reasonable care (in the opinion of the Company) and such

guarantee does not cover damage, malfunction or failure resulting from misuse, neglect, abuse, or used for a purpose for which it was not designed or is not suited and no repairs, alterations or modifications have been attempted by other than an authorised service centre. This guarantee will not apply if the tool is damaged by accident or if repairs arise from normal wear and tear.

The Company accepts no additional liability pursuant to this guarantee for the costs of travelling or transportation of the Product or parts to and from the service dealer or Service centre - such costs are not included in this guarantee.

Certain legislation, including the Trade Practices Act, 1974 (as amended) and other state and territorial laws give rights to the buyer and impose liability on the seller in certain circumstances. Nothing herein shall have the effect of excluding, restricting or modifying any condition, guarantee, right or liability imposed, to the extent only that such exclusion, restriction or modification would render any term herein void.



**TECHTRONIC INDUSTRIES AUSTRALIA PTY LIMITED**

A.B.N. 98 002 277 509

SYDNEY: Building B, Rosehill Industrial Estate, 3-5 Shirley Street, Rosehill N.S.W. 2142

Contact during normal business hours.

Tel: 1300 361 505 - Fax: 1800 807 993 - [www.ryobi.com.au](http://www.ryobi.com.au)

**ALL AUSTRALIAN ENQUIRIES TEL : 1300 361 505**  
**WEST AUSTRALIAN ENQUIRIES TEL : (08) 9455 7775**

**TECHTRONIC INDUSTRIES N.Z. LIMITED**

**AUCKLAND:** 27 Clemow Drive, Mt Wellington, N.Z.

Tel: (09) 573 0230 - Free Call: 0800 279 624 - Fax: (09) 573 0231 - [www.ryobi.co.nz](http://www.ryobi.co.nz)

Contact during normal business hours.

**This Guarantee Form Should Be Retained By The Customer At All Times**

For your record and to assist in establishing date of purchase (necessary for in-guarantee service) please keep your purchase docket and this form completed with the following particulars.

Purchased From \_\_\_\_\_

Address Of Dealer \_\_\_\_\_

Date \_\_\_\_\_ Model No \_\_\_\_\_ Serial No \_\_\_\_\_

Present This Form With Your Purchase Docket When Guarantee Service Is Required.