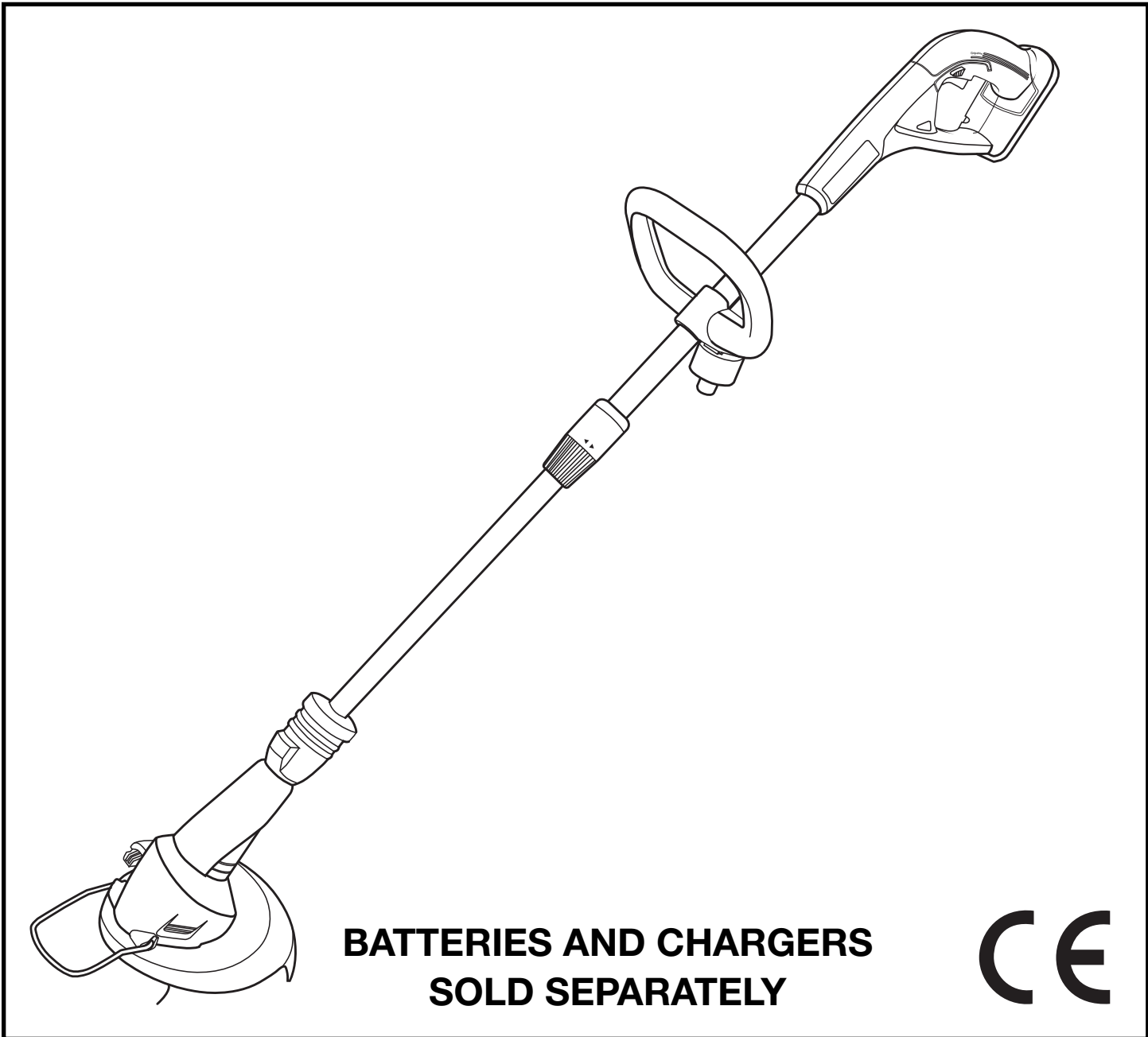




OLT1830

**CORDLESS STRING TRIMMER
OPERATOR'S MANUAL**



**BATTERIES AND CHARGERS
SOLD SEPARATELY**



Important!

It is essential that you read the instructions in this manual before mounting and operating this machine.

Subject to technical modifications.

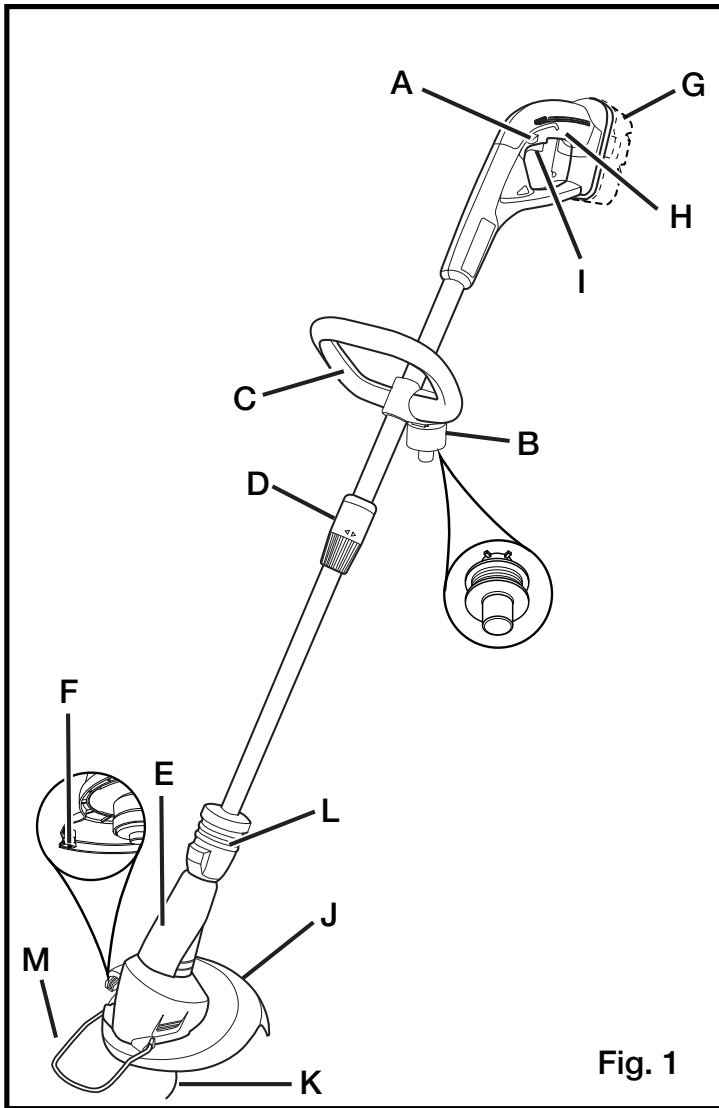


Fig. 1

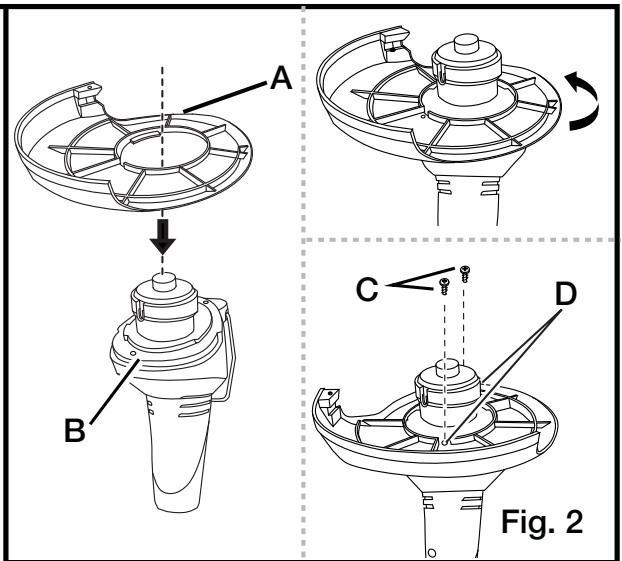


Fig. 2

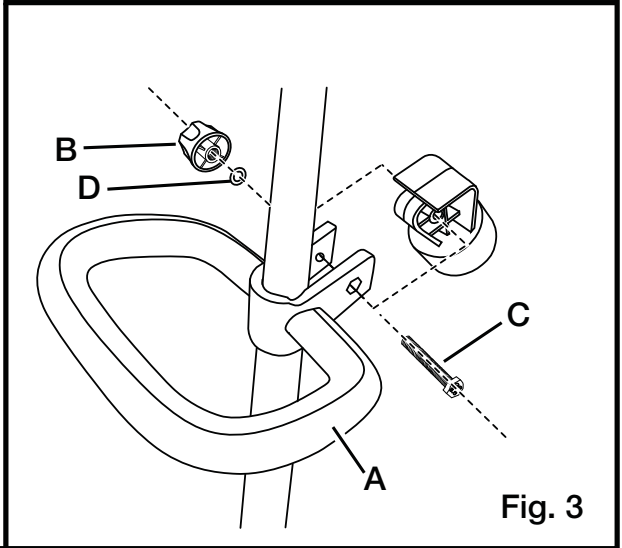


Fig. 3

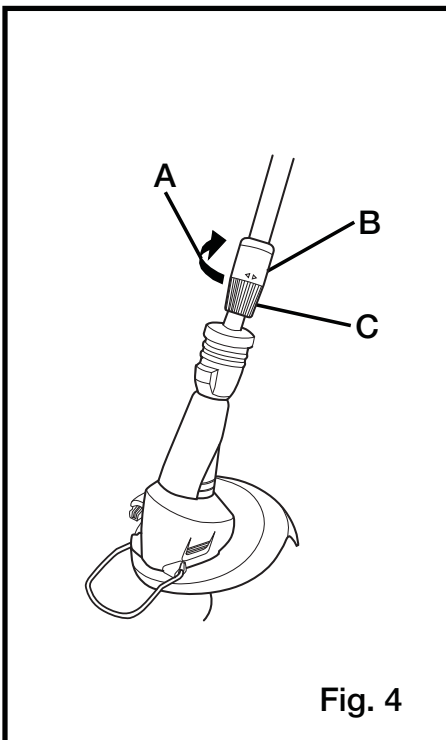


Fig. 4

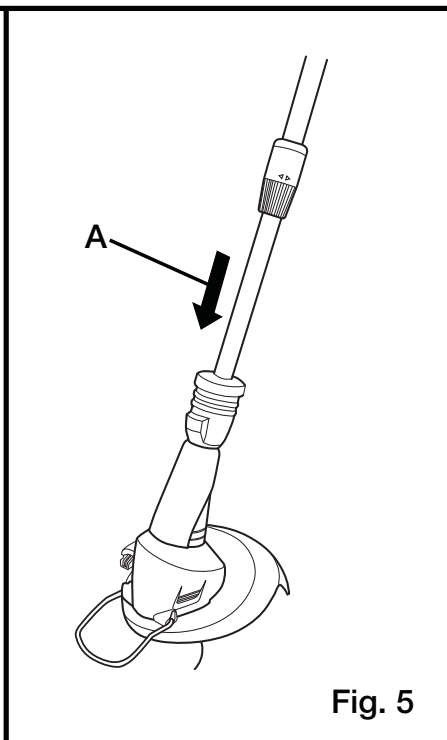


Fig. 5

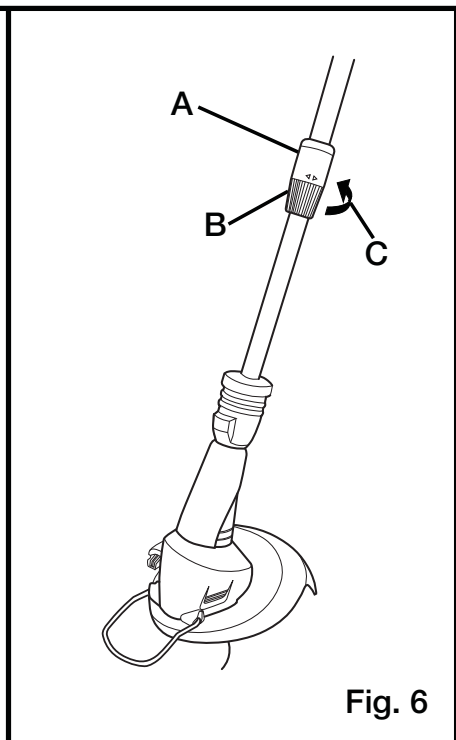
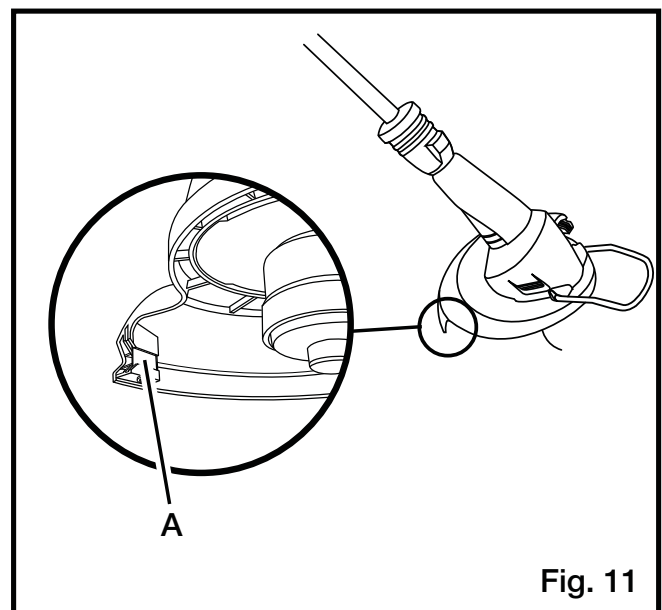
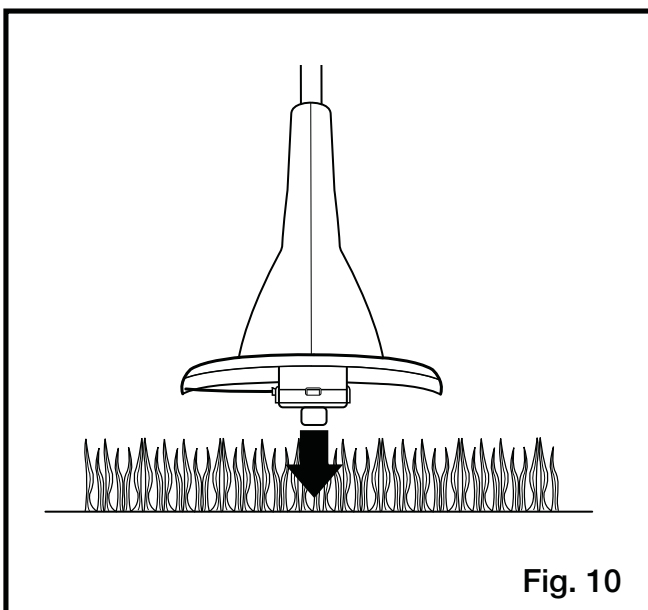
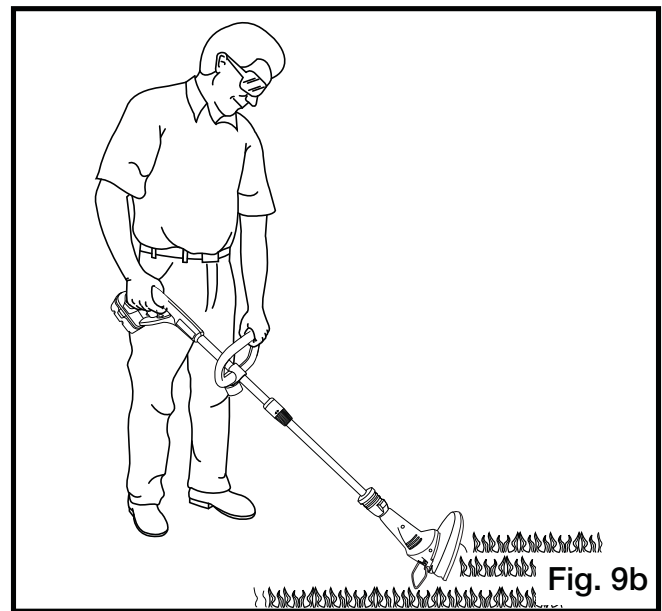
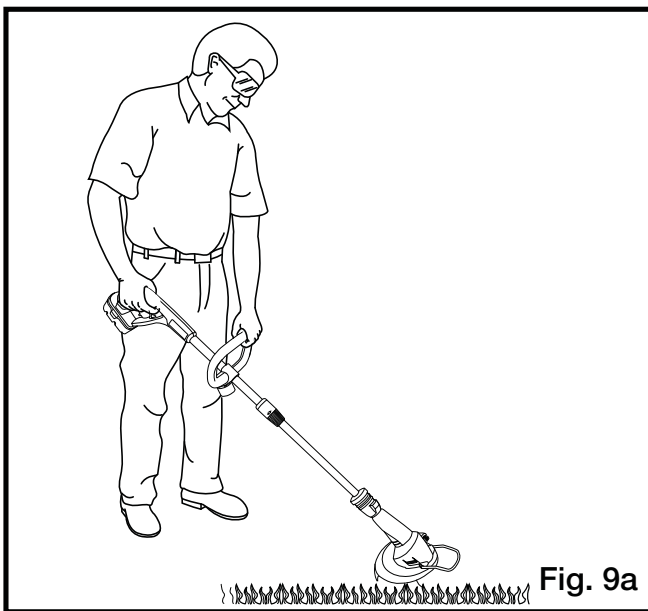
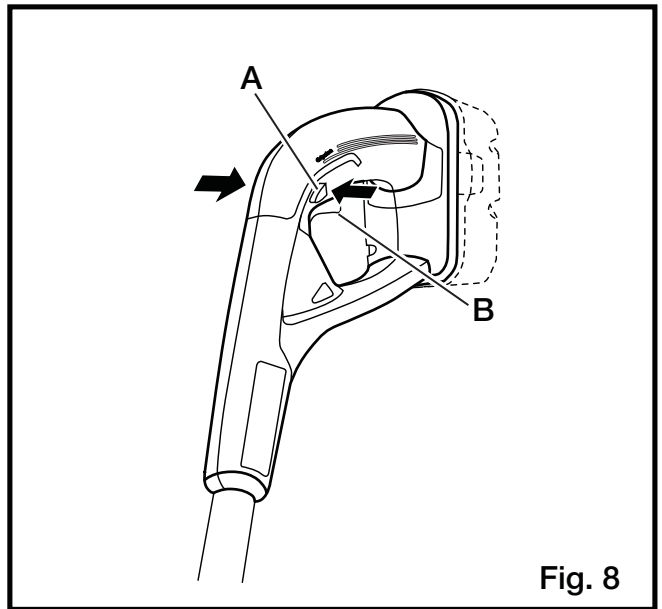
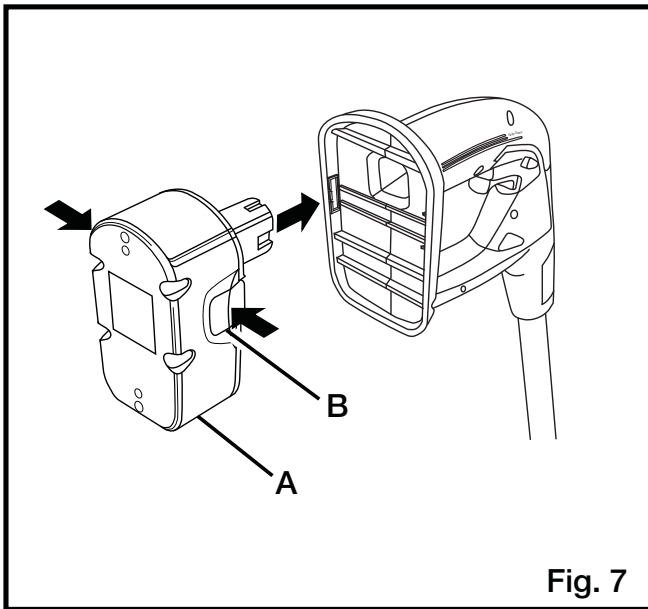
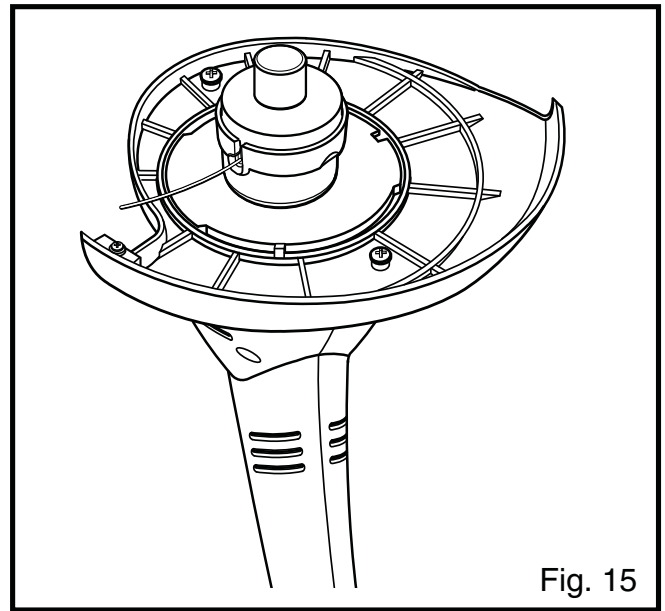
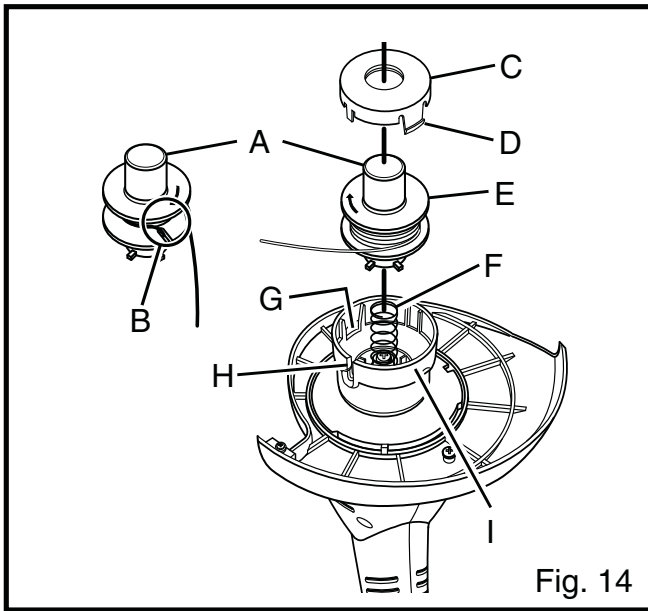
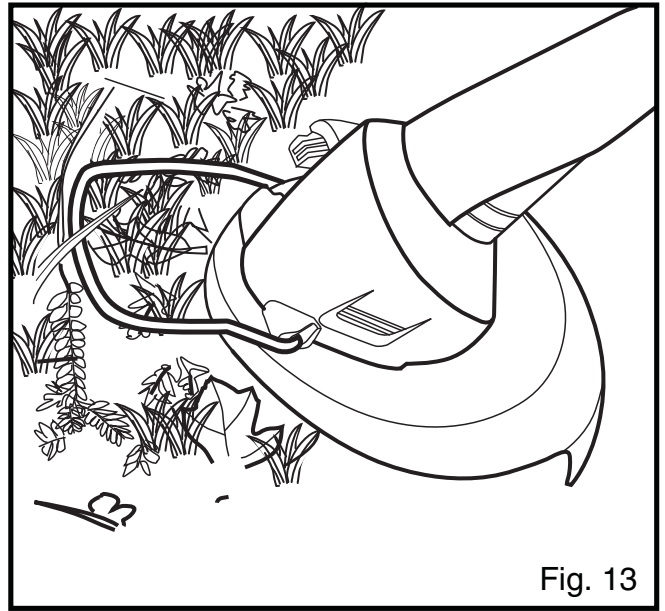
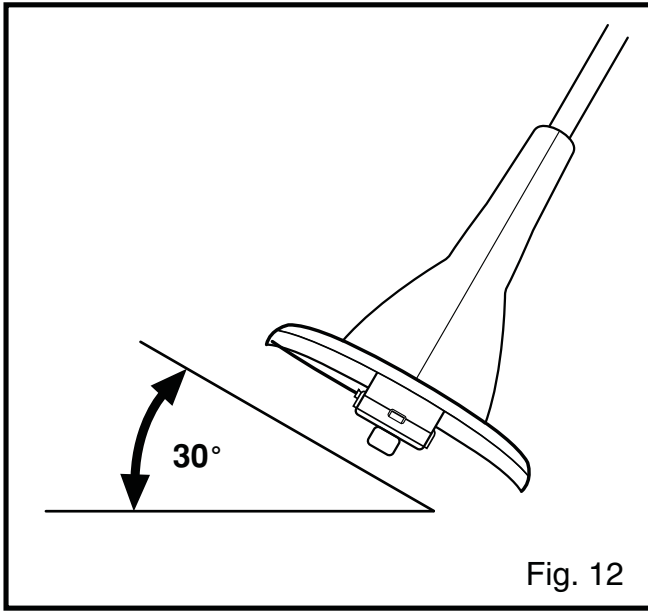


Fig. 6





RULES FOR SAFE OPERATION

WARNING:

The tool should be operated with a ONE+ battery pack.

When using battery operated tools basic safety precaution should always be followed to reduce the risk of fire, leaking batteries and personal injury, including the following.



Read the operation manual and follow all warnings and safety instructions.



Wear eye protection and ear protection.



Do not use this machine in wet weather conditions!



Wear protective clothing and boots



Wear non-slip, heavy duty gloves.



Keep all bystanders at least 15m away.

GENERAL POWER TOOL SAFETY WARNINGS

WARNING:

Read all safety warnings and all instructions. Failure to follow the warnings and instructions may result in electric shock, fire and/or serious injury.

■ **Save all warnings and instructions for future reference.**

The term “power tool” in the warnings refers to your mains-operated (corded) power tool or battery-operated (cordless) power tool.

WORK AREA SAFETY

- **Keep work area clean and well lit.** Cluttered or dark areas invite accidents.
- **Do not operate power tools in explosive atmospheres, such as in the presence of flammable liquids, gases or dust.** Power tools create sparks which may ignite the dust or fumes.
- **Keep children and bystanders away while operating a power tool.** Distractions can cause you to lose control.

ELECTRICAL SAFETY

- **Power tool plugs must match the outlet. Never modify the plug in any way. Do not use any adapter plugs with earthed (grounded) power tools.** Unmodified plugs and matching outlets will reduce risk of electric shock.
- **Avoid body contact with earthed or grounded surfaces, such as pipes, radiators, ranges and refrigerators.** There is an increased risk of electric shock if your body is earthed or grounded.
- **Do not expose power tools to rain or wet conditions.** Water entering a power tool will increase the risk of electric shock.
- **Do not abuse the cord. Never use the cord for carrying, pulling or unplugging the power tool. Keep cord away from heat, oil, sharp edges or moving parts.** Damaged or entangled cords increase the risk of electric shock.
- **If operating a power tool in a damp location is unavoidable, use a residual current device (RCD) protected supply.** Use of an RCD reduces the risk of electric shock.
- **When operating a power tool outdoors, use an extension cord suitable for outdoor use.** Use of a cord suitable for outdoor use reduces the risk of electric shock.

NOTE: The term “residual current device (RCD)” may be replaced by the term “ground fault circuit interrupter (GFCI)” or “earth leakage circuit breaker (ELCB)”.

PERSONAL SAFETY

- **Stay alert, watch what you are doing and use common sense when operating a power tool. Do not use a power tool while you are tired or under the influence of drugs, alcohol or medication.** A moment of inattention while operating power tools may result in serious personal injury.
- **Use personal protective equipment. Always wear eye protection.** Protective equipment such as dust mask, non-skid safety shoes, hard hat, or hearing protection used for appropriate conditions will reduce personal injuries.
- **Prevent unintentional starting. Ensure the switch is in the off-position before connecting to power source and/or battery pack, picking up or carrying the tool.** Carrying power tools with your finger on the switch or energizing power tools that have the switch on invites accidents.
- **Remove any adjusting key or wrench before turning the power tool on.** A wrench or a key left attached to a rotating part of the power tool may result in personal injury.
- **Do not overreach. Keep proper footing and balance at all times.** This enables better control of the power tool in unexpected situations.
- **Dress properly. Do not wear loose clothing or jewellery. Keep your hair, clothing and gloves away from moving parts.** Loose clothes, jewellery or long hair can be caught in moving parts.

RULES FOR SAFE OPERATION

- If devices are provided for the connection of dust extraction and collection facilities, ensure these are connected and properly used. Use of dust collection can reduce dust-related hazards.

POWER TOOL USE AND CARE

- Do not force the power tool. Use the correct power tool for your application. The correct power tool will do the job better and safer at the rate for which it was designed.
- Do not use the power tool if the switch does not turn it on and off. Any power tool that cannot be controlled with the switch is dangerous and must be repaired.
- Disconnect the plug from the power source and/or the battery pack from the power tool before making any adjustments, changing accessories, or storing power tools. Such preventive safety measures reduce the risk of starting the power tool accidentally.
- Store idle power tools out of the reach of children and do not allow persons unfamiliar with the power tool or these instructions to operate the power tool. Power tools are dangerous in the hands of untrained users.
- Maintain power tools. Check for misalignment or binding of moving parts, breakage of parts and any other condition that may affect the power tool's operation. If damaged, have the power tool repaired before use. Many accidents are caused by poorly maintained power tools.
- Keep cutting tools sharp and clean. Properly maintained cutting tools with sharp cutting edges are less likely to bind and are easier to control.
- Use the power tool, accessories and tool bits etc. in accordance with these instructions, taking into account the working conditions and the work to be performed. Use of the power tool for operations different from those intended could result in a hazardous situation.

BATTERY TOOL USE AND CARE

- Recharge only with the charger specified by the manufacturer. A charger that is suitable for one type of battery pack may create a risk of fire when used with another battery pack.
- Use power tools only with specifically designated battery packs. Use of any other battery packs may create a risk of injury and fire.
- When battery pack is not in use, keep it away from other metal objects, like paper clips, coins, keys, nails, screws or other small metal objects, that can make a connection from one terminal to another. Shorting the battery terminals together may cause burns or a fire.
- Under abusive conditions, liquid may be ejected from the

battery; avoid contact. If contact accidentally occurs, flush with water. If liquid contacts eyes, additionally seek medical help. Liquid ejected from the battery may cause irritation or burns.

SERVICE

- Have your power tool serviced by a qualified repair person using only identical replacement parts. This will ensure that the safety of the power tool is maintained.

READ ALL INSTRUCTIONS BEFORE OPERATING

- Read the instructions carefully. Be familiar with the controls and proper use of the unit.
- Do not operate this unit when tired, ill, or under the influence of alcohol, drugs, or medication.
- Inspect the unit before use. Replace damaged parts. Check for battery pack leaks. Make sure all fasteners are in place and secure. Replace string head or any other parts that are cracked, chipped, or damaged. Make sure the string head is properly installed and securely fastened. Be sure the grass shield is properly attached, and positioned as recommended. Failure to do so can result in personal injury to the operator and bystanders, as well as damage to the unit.
- Use the right tool. Only use this string trimmer for the purpose intended.
- Do not use string trimmer if switch will not turn the unit on or off. A unit that cannot be controlled with the switch is dangerous and must be repaired.
- Clear the area to be cut before each use. Remove all objects such as rocks, broken glass, nails, wire, or string which can be thrown or become en-tangled in the string head.
- Clear the area of children, bystanders, and pets. At a minimum, keep all children, bystanders and pets outside a 15 m radius; there still may be a risk to bystanders from thrown objects. Bystanders should be encouraged to wear eye protection. If you are approached, stop the motor and make sure the string head stops immediately.
- To avoid the risk of electric shock, do not operate unit in damp or wet locations.
- Do not handle the unit with wet hands.
- Use only 1.65 mm diameter genuine replacement line. Never use metal-reinforced line, wire, or rope, etc. These can break off and become a dangerous projectile. Do not use any other attachment on this unit.
- Do not allow children under the age of 15 or untrained individuals to use this string trimmer.
- To reduce the risk of injury, always wear full eye protection, footwear, goggles and clothing when using this machine. Wear a face or dust mask if the operation is dusty.

RULES FOR SAFE OPERATION

- Dress properly. Do not wear loose clothing or jewellery; they can be caught in moving parts. Use of rubber gloves, substantial footwear and long trousers is recommended when working outdoors.
- To prevent hair from being drawn into nearby air vents and becoming entangled in moving parts, wear protective hair covering to contain long hair or secure covered hair above shoulder level.
- Do not use electric or battery operated units in rain or damp weather.

WHILE OPERATING

- Do not use trimmer without front handle in place. Keep both hands on handles when unit is in use.
- To avoid accidental starting, never carry your unit with your finger on the trigger.
- Stay alert and pay attention to what you are doing. Use common sense when using this string trimmer.
- Do not operate in poor lighting. Use the unit only in daylight or good artificial light.
- Do not overreach or stand on unstable support. Keep good footing and balance at all times. Do not use on ladder.
- Do not force the trimmer. It will do the job better and with less likelihood of a risk of injury at the rate for which it was designed.
- Always hold the unit with both hands when operating. Keep a firm grip on both the rear handle and the front handle.
- Release the trigger, allow the motor to stop, and remove the battery pack before performing maintenance, repair or making adjustments.
- This cordless string trimmer is intended only for cutting grass, light weeds and for decorative trimming. Do not use this string trimmer as an edger.
- Before starting the unit, make sure the string head will not come in contact with anything.
- If you strike or become entangled with foreign objects, stop the unit immediately, remove the battery pack and check for damage. Do not operate before repairing damage. Do not operate the unit with loose or damaged parts.
- Keep all body parts away from string head and other moving parts. Do not touch or try to stop the string head when it is rotating.
- Keep string head below waist level.
- Always stop the motor when cutting is delayed or when walking from one cutting location to another.

- The grass shield must always be in place while operating the unit. Do not operate unit without the cutting line extended, and the proper line installed. Do not extend the cutting line beyond the length of the shield.
- Keep unit clean of grass clippings and other materials. They may become lodged between the string head and shield.
- Store the unit inside in a dry place, either locked up or up high to prevent unauthorised use or damage. Keep out of the reach of children or untrained individuals.
- Never douse or squirt the unit with water or any other liquid. Keep handles dry, clean and free from debris. Clean after each use, see Cleaning and Storage instructions.
- Be sure to secure the unit while transporting.
- Keep these instructions. Refer to them often and use them to instruct other users. If you loan someone this unit, also loan them these instructions.

SERVICE

- Service on unit must be performed only by qualified repair personnel. Service or maintenance performed by unqualified personnel could result in a risk of injury to the user, or damage to the unit. It may also void your warranty.
- When servicing a unit, use only identical replacement parts. Follow instruction in the Maintenance section of this manual. Use of unauthorised parts or failure to follow Maintenance Instructions may create a risk of shock or serious injury to the user, or damage to the unit. It may also void your warranty.

BATTERY TOOL USE AND CARE

- Ensure the switch is in the off position before inserting battery pack. Inserting the battery pack into power tools that have the switch on invites accidents.
- Recharge only with the charger specified by the manufacturer. A charger that is suitable for one type of battery pack may create a risk of fire when used with another battery pack.
- Use power tools only with specifically designated battery packs. Use of any other battery packs may create a risk of injury and fire.
- When battery pack is not in use, keep it away from other metal objects like paper clips, coins, keys, nails, screws, or other small metal objects that can make a connection from one terminal to another. Shorting the battery terminals together may cause burns or a fire.
- Under abusive conditions, liquid may be ejected from the battery; avoid contact. If contact accidentally occurs, flush with water. If liquid contacts eyes, additionally seek medical help. Liquid ejected from the battery may cause irritation or burns.

RULES FOR SAFE OPERATION



WARNING:

If any parts are missing, do not operate unit until the missing parts are replaced. Failure to do so could result in possible serious personal injury.

SAVE THESE INSTRUCTIONS. REFER TO THEM FREQUENTLY AND USE THEM TO INSTRUCT OTHERS WHO MAY USE THIS UNIT. IF YOU LOAN SOMEONE THIS UNIT, LOAN THEM THESE INSTRUCTIONS ALSO.

PRODUCT SPECIFICATIONS

Motor	18V DC
No load speed 9000 min ⁻¹
Battery Pack 18V
Charging Rate 2 hour
String Head Bump Head
Cutting Line Diameter 1.65 mm
Cutting Path Diameter 230 mm
Weight with Battery pack 2.6 kg
Battery pack (not included) BPP-1817M / BPP-1815M / ABP1801 / ABP1802 / BPP-1817MG / BPL-1820 / BPL-1820G
Charger (not included) BC-1800 / BC-1800M / BC-1815S / BC-1815SMG / ACR1800 / BCL-1800 / BCL-1800G

FEATURES

Fig. 1

- A. TRIGGER LOCK BUTTON
- B. SPOOL HOLDER FOR ADDITIONAL SPOOL
- C. FRONT HANDLE
- D. SHAFT ADJUSTMENT COLLAR
- E. MOTOR HOUSING
- F. CUT OFF BLADE
- G. BATTERY PACK (NOT INCLUDED)
- H. REAR HANDLE
- I. TRIGGER
- J. GRASS SHIELD
- K. CUTTING LINE
- L. EDGING COUPLER
- M. EDGING WIRE

Fig. 2

- A. GRASS SHIELD

- B. MOTOR HOUSING
- C. REMOVE BOTH SCREWS
- D. RE-INSTALL BOTH SCREWS

Fig. 3

- A. FRONT HANDLE
- B. FASTEN KNOB
- C. BOLT
- D. FLAT WASHER

Fig. 4

- A. TO UNLOCK COLLAR
- B. SHAFT ADJUSTMENT COLLAR
- C. LOWER PORTION OF SHAFT ADJUSTMENT COLLAR

Fig. 5

- A. SLIDE OUT TO DESIRED POSITION

Fig. 6

- A. SHAFT ADJUSTMENT COLLAR
- B. LOWER PORTION OF SHAFT ADJUSTMENT COLLAR
- C. TO LOCK COLLAR

Fig. 7

- A. BATTERY PACK (NOT INCLUDED)
- B. LATCHES

Fig. 8

- A. TRIGGER LOCK BUTTON
- B. TRIGGER

Fig. 11

- A. CUT OFF BLADE

Fig. 14

- A. BUMP KNOB
- B. SLOT ON SPOOL
- C. SPOOL CAP
- D. TABS
- E. SPOOL
- F. SPRING
- G. SPOOL HOUSING SLOT
- H. OPENING IN SPOOL HOUSING
- I. SPOOL HOUSING

ASSEMBLY

INSTALLING THE GRASS SHIELD

- Remove both screws on the motor housing. Orient grass shield on the motor housing and twist to lock in place as shown.
- Re-install screws to secure grass shield in place. *See Figure 2.*

ATTACHING THE FRONT HANDLE

- Press the front handle onto the shaft. *See Figure 3.*

ASSEMBLY

- Move it to a position on the shaft suitable for the user.
- Secure it with the bolt, wing knob and washers in the sequence as shown.
- Tighten the bolt to ensure the handle is fixed firmly.

ADJUSTING THE SHAFT

- Rotate the lower portion of the shaft adjustment collar to the “Unlock” position. *See Figure 4.*
- Lower shaft should now be free to slide down from inside the upper shaft. Make sure the shaft is pulled out to the desired position. *See Figure 5.*
- Rotate shaft adjustment collar to the “Lock” position and tighten securely . *See Figure 6.*



WARNING:

If any parts are missing, do not operate unit until the missing parts are replaced. Failure to do so could result in possible serious personal injury.

OPERATION

INSTALLING THE BATTERY PACK

- Place the battery pack in the string trimmer. Align raised rib on battery pack with groove in string trimmer. *See Figure 7.*
- Make sure the latches on the battery pack snap in place and that battery pack is secured in string trimmer before beginning operation.

REMOVING THE BATTERY PACK

- Locate latches of battery pack and depress both sides to release the battery pack from the string trimmer. *See Figure 7.*
- Remove battery pack from the string trimmer.



CAUTION:

When placing battery pack in your string trimmer, be sure raised rib on battery pack aligns with groove in string trimmer and latches snap in place properly. Improper assembly of battery pack can cause damage to internal components.

REMOVING ADDITIONAL SPOOL FROM SPOOL HOLDER

- Turn the spool in the spool holder (Fig. 1 - B) counterclockwise and pull the additional spool out of the holder

ADDING ADDITIONAL SPOOL TO SPOOL HOLDER

- Push the spool into the spool holder (Fig. 1 - B) and turn clockwise until the spool clicks into a safe position

STARTING THE STRING TRIMMER

- Press and hold the trigger lock button. *See Figure 8.* This makes the trigger operational.
- Release the trigger lock button and continue to squeeze the trigger for extended operation.

STOPPING THE STRING TRIMMER

- Release the trigger to stop the string trimmer.
- Upon release of the trigger, the trigger lock button will be automatically reset to the lock position.

HOLDING THE STRING TRIMMER



WARNING:

Dress properly to reduce the risk of injury when operating this unit. Do not wear loose clothing or jewellery. Wear eye protection. Wear heavy, long pants, boots and well fitting gloves. Do not wear short pants, sandals or go barefoot.

- Hold the string trimmer as shown. *See Figure 9a.* Right arm is slightly bent, the right hand holding the rear handle. Left arm is straight, the left hand holding the front handle. The unit should be slightly below waist level.
- The string head on your string trimmer should be parallel to the ground and should easily contact the material being cut without the operator having to bend over. A simple shaft adjustment accommodates most user’s heights.

USING THE STRING TRIMMER ADVANCING LINE

- Your string trimmer is equipped with a string head, which allows the operator to release more cutting line without stopping the motor. As the line becomes worn or frayed, additional line can be released by lightly tapping the string head on the ground while operating the string trimmer at full throttle. *See Figure 10.* For best results, tap the head on bare ground or hard soil. If line release is attempted in tall grass, the motor may overheat.
- Approximately 25.4 mm (1 inch) of cutting line is released each time the head is tapped on the ground.
- Always keep the cutting line fully extended. If the string is worn too short you may not be able to advance the string by tapping the head on the ground. If this occurs, stop the motor, remove the spool as described in the following section, feed the cutting line through the opening in spool housing and reassemble the spool to the string head.

OPERATION

CUTTING LINE

- This string trimmer is equipped with a string cut off blade on the grass shield. See Figure 11. For best cutting, advance line until it is trimmed to length by the string cut-off blade. Advance line whenever you hear the motor running faster than normal. This will maintain best performance and keep the cutting line long enough to advance properly.

OPERATING TIPS

- Clear the area to be cut before each use. Remove all objects such as rocks, broken glass, nails, wire, or string which can be thrown or become entangled in the string head.
- Keep the string trimmer tilted toward the area being cut. Avoid digging into grass.
- Slowly move the string trimmer in and out of the area being cut.
- **Use the tip of line to do the cutting** - do not force string head into uncut grass.
- Cut tall grass from the top down. This will prevent grass from wrapping around the string head that may cause damage from overheating. If grass or other debris becomes wrapped around the string head, **STOP THE MOTOR** by releasing the trigger and allow the string head to stop spinning. Remove the battery pack and then remove the grass or debris.
- Wire and picket fences cause extra line wear, even breakage. Stone and brick walls, curbs, and wood may wear line rapidly. Walk around trees and shrubs. Tree bark, wood mouldings, siding, and fence posts can easily be damaged by the line.
- Keep the string trimmer tilted toward the area being cut. To trim around trees, posts, fences, etc., keep the string trimmer at a 30- degree angle. *See Figure 12.*

USING THE STRING TRIMMER FOR EDGING/VERTICAL CUTTING

- For vertical cutting/edging pull the edging coupler (Fig. 1 – L) and rotate the motor housing (Fig.1 - E) 180 degree. Release the edging coupler (Fig. 1 – L) which snaps into the edging position easily.
- Flip the edging wire (Fig. 1 –M) down for the edging.
- Lift the trimmer by both handles and turn it into cutting/edging position.(Fig.9.b)

MAINTENANCE AND REPAIR

WARNING:

When servicing use only identical replacement parts. Use of any other parts can create a hazard or cause product damage. Avoid using solvents when cleaning plastic parts. Most plastics are susceptible to damage from various types of commercial solvents and may be damaged by their use. Use a clean cloth to remove dirt, oil, grease, etc.

CAUTION:

Do not at any time let brake fluids, gasoline, petroleum based products, penetrating oils, etc., come in contact with plastic parts. They contain chemicals that may damage, weaken, or destroy plastics.

CUTTING LINE REPLACEMENT

- The cutting line may be replaced by either rewinding the existing spool or installing a convenient prewound spool.

REWINDING THE EXISTING SPOOL *See Figure 14.*

- Remove the battery pack from the string trimmer.
- Press in the tabs on each side of the spool cap.
- Remove the spool cap and spool. Discard any remaining line on the spool.
 - NOTE:** If the spring falls off the spool housing during this procedure, reinstall the spring before installing the spool and spool cap.
- Inspect the string head for damaged or worn parts and clean thoroughly.
- Using approximately 3 m (10 feet) of new cutting line, insert one end of the line into the slot on the spool. Ensure the end of the line is pushed all the way towards the inner side of slot.
 - NOTE:** No more than 3.175 mm (1/8 in.) of the line is to protrude from the slot.
- Wind the line, in even and tight layers, onto the spool. Line should be wound in the direction of the arrow indicated on the spool.
- Unwind approximately 102 mm (4 in.) of the line from the spool. Hold the line and spool firmly to keep it from unwinding then place the spool cap onto the spool.
- Holding the spool cap and spool by the bump knob, place into the spool housing and insert cutting line into the opening in spool housing.
 - NOTE:** Tabs on the spool cap should be aligned with the slots in the spool housing.

MAINTENANCE AND REPAIR

- While pressing in the tabs, push down the spool cap and spool to lock in place.
- Completely assembled string head should appear as shown. *See Figure 15.*



WARNING

Use only 1.65 mm (0.065 in) diameter genuine replacement line. Never use metalreinforced line, wire, or rope, etc. These can break off and become a dangerous projectile. Do not use any other attachment on this unit.

INSTALLING A PREWOUND SPOOL *See Figure 14.*

- Remove the battery pack from the string trimmer.
- Press in the tabs on each side of the spool cap.
- Remove the spool cap and spool.
NOTE: If the spring falls off the spool housing during this procedure, reinstall the spring before installing the spool and spool cap.
- Inspect the string head for damaged or worn parts and clean thoroughly.
- Unwind approximately 102 mm (4 in.) of the line from the prewound spool. Hold the line and spool firmly to keep it from unwinding then place the spool cap onto the spool.
- Holding the spool cap and spool by the bump knob, place into the spool housing and insert cutting line into the opening in spool housing.
NOTE: Tabs on the spool cap should be aligned with the slots in the spool housing.
- While pressing in the tabs, push down the spool cap and spool to lock in place.
- Completely assembled string head should appear as shown. *See Figure 15.*



WARNING

Do not attempt to modify this unit or create or mount any accessory not specifically recommended in this manual for use with this string trimmer. Any such alteration or modification is misuse and could result in a hazardous condition leading to possible serious personal injury.

Examine string trimmer frequently to assure all parts are unbroken and securely attached. Make sure all screws and fasteners are securely tightened to prevent the risk of serious personal injury.

CLEANING THE STRING TRIMMER



WARNING

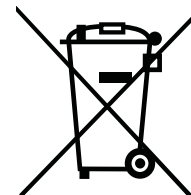
To prevent serious personal injury, remove the battery pack before servicing, cleaning, or removing material from the unit.

- Remove the battery pack.
- Clean the unit using a damp cloth with a mild detergent.
- Do not use any strong detergents on the plastic housing or the handle. They can be damaged by certain aromatic oils such as pine and lemon, and by solvents such as kerosene.
- Moisture can cause a shock hazard. Wipe off any moisture with a soft dry cloth. Use a small brush or the air discharge of a small vacuum cleaner brush to clean the air vents on the battery pack housing and motor housing.
- Keep the air vents free of obstructions.

STORING THE STRING TRIMMER

- Clean the string trimmer thoroughly before storing. Store the string trimmer in a dry, wellventilated place that is inaccessible to children. Keep away from corrosive agents such as garden chemicals and de-icing salts.
- Store and charge your batteries in a cool area. Temperatures above or below normal room temperature will shorten battery pack life.
- Never store batteries in a discharged condition. Wait for battery pack to cool and charge immediately.
- All batteries gradually lose their charge. The higher the temperature, the quicker they lose their charge. If you store your unit for long periods of time without using it, recharge the batteries every month or two. This practice will prolong battery pack live.

DISPOSAL



Waste electrical products should not be disposed of together with household waste. Please recycle where facilities exist. Check with your local authority or retailer for recycling advice.

LIMITED WARRANTY

TTI warrants this outdoor product to be free of defects in material and workmanship for 24 months from the date of purchase by the original purchaser, subject to the limitations below. Please keep your invoice as proof of date of purchase.

This warranty is only applicable where the product is used for personal and non-commercial purposes.

This warranty does not cover damage or liability caused by / due to misuse, abuse, accidental or intentional acts by user, improper handling, unreasonable use, negligence, failure by end user to follow operating procedures outlined in the user's manual, attempted repair by non-qualified professional, unauthorized repair, modification, or use of accessories and/or attachments not specifically recommended by authorized party. Please see your local dealer for list of authorized service centers in your area.

This warranty does not cover belts, brushes, bags, bulbs or any part which ordinary wear and tear results in required replacement during warranty period. This warranty does not cover transportation cost or consumable items such as fuses and batteries.

This limited warranty is void if the product's original identification (trade mark, serial number, etc.) markings have been defaced, altered or removed or if product is not purchased from an authorized reseller or if product is sold AS IS and / or WITH ALL FAULTS.

Where permitted, the provisions of this limited warranty are in lieu of any other written warranty, whether express or implied, written or oral, including any warranty of MERCHANTABILITY OR FITNESS FOR A PARTICULAR PURPOSE. IN NO EVENT SHALL WE BE LIABLE FOR SPECIAL, INCIDENTAL, CONSEQUENTIAL OR INCIDENTAL DAMAGES. OUR MAXIMUM LIABILITY SHALL NOT EXCEED THE ACTUAL PURCHASE PRICE PAID BY YOU FOR THE PRODUCT.

This warranty is applicable only in the European Union, Australia, and New Zealand. Outside these areas, please contact your authorized Ryobi dealer to determine if another warranty applies.

18V

Sound pressure level:	LpA=69dB(A), KpA=3 dB(A)
Sound power level:	LwA=89dB(A), KwA=3 dB(A)
Weighted root mean square acceleration value:	8.1m/s ² , K=1.5 m/s ²
Date of Issuance	
Issued by	

DECLARATION OF CONFORMITY

We declare under our sole responsibility that this product is in conformity with the following standards or standardized documents.

98/37/EC, 89/336/EEC, 2000/14/EC GUARANTEE

Technical documents are kept by Homelite Far East Co., Ltd. 24/F, 388 Castle Peak Road, Tsuen Wan, N.T., Hong Kong.

Declared in 12/2007 by Homelite Far East Co., Ltd.

RYOBI TECHNOLOGIES (UK) LIMITED.
Medina House,
Fieldhouse Lane, Marlow,
Buckinghamshire,
SL7 1TB,
UNITED KINGDOM
Tel: + 44 (0)1628 894400
Fax: +44 (0)1628 894401
Technical helpline: +44 (0) 800 3890305

RYOBI TECHNOLOGIES SAS
Immeuble Le Grand Roissy
Z.A. du Gué - 35 rue de Guivry
77990 LE MESNIL AMELOT FRANCE
Phone: + 33 (0)1 60 94 69 70
Fax: + 33 (0)1 60 94 69 79

RYOBI BELGIUM
Avenue des Pâquerettes, 55
Zoning artisanal - bâtiment 5
B - 1410 Waterloo
BELGIQUE
Tel : + 32 (0) 2 357 81 40
Fax : + 32 (0) 2 357 81 49

RYOBI ITALIA
Via Vincenzo Borelli, 13
I - 41100 Modena
ITALIA
Tel : + 39 (0) 59 23 84 08
Fax : + 39 (0) 59 24 69 60

RYOBI IBÉRICA
Avenida de la Industria 52
28820 Coslada - Madrid
ESPANA
Tel : + 34 (0) 91 627 93 26
Fax : + 34 (0) 91 627 93 29

TECHTRONIC INDUSTRIES (ASIA) CO. LTD.
24/F, CDW Building,
388 Castle Peak Road,
Tsuen Wan, Hong Kong.
Tel : + 852 2402 6888

RYOBI TECHNOLOGIES GMBH
Itterpark 4
D-40724 Hilden
DEUTSCHLAND
Tel: + 49 (0) 2103 2958-0
Fax: + 49 (0) 2103 2958-29

RYOBI TECHNOLOGIES GMBH
Vertriebsbüro Österreich
Schinitzgasse 13
A-8605 Kapfenberg
Tel.: + 43 (0) 3862 23590-0
Fax: + 43 (0) 3862 23590-25

TECHTRONIC INDUSTRIES AUSTRALIA PTY
LIMITED.
Building B, Rosehill Industrial Estate,
3 Shirley Street,
Rosehill NSW 2142
AUSTRALIA
Tel: (02) 8892 1800 or 1300 361 505
Fax: 1800 807 993

TECHTRONIC INDUSTRIES (NZ) LIMITED.
27 Clemow Drive, Mt Wellington
PO Box 12-806, Penrose, Auckland
NEW ZEALAND
Tel: + 64 (0) 9 573 0230 Free Call: +64 0800 279
624
Fax: + 64 (0) 9 573 0231

A&M MIDDLE EAST FZCO
P.O.Box 61254
Jedel Ali, Dubai,
UNITED ARAB EMIRATES
Tel.: + 971 4 8861399
Fax: + 971 4 8861400

Machine: **CORDLESS STRING TRIMMER**

Type: OLT1830

Name of company: Homelite Far East Co., Ltd.
Address: 24/F, CDW Building,
388 Castle Peak Road,
Tsuen Wan Hong Kong.

Name / title: Andrew Eyre
Vice President, Engineering

Signature: 