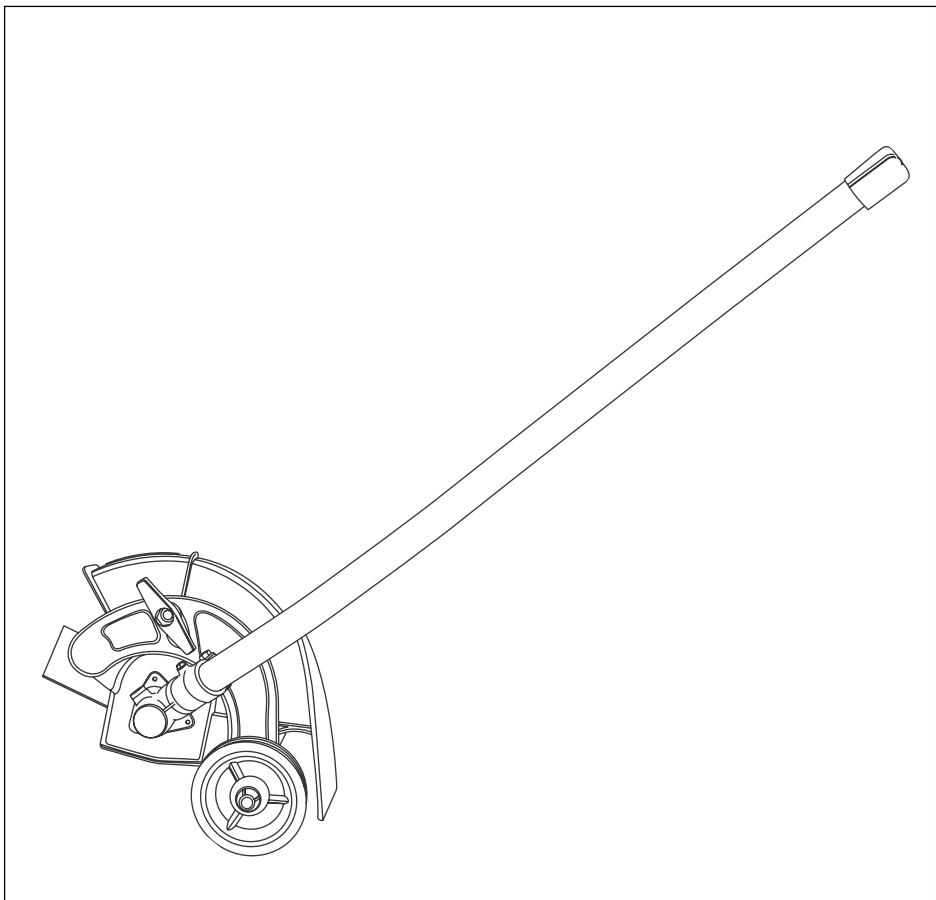
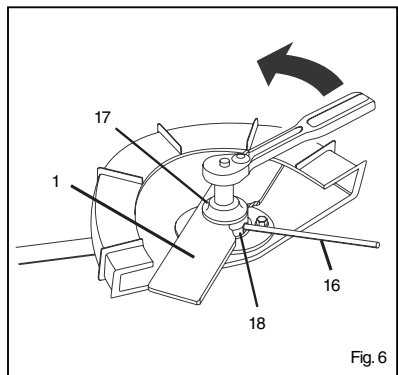
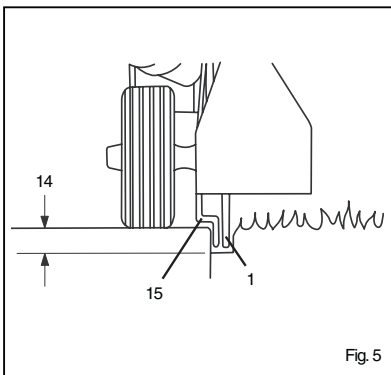
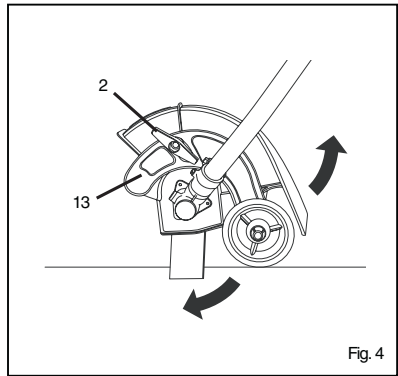
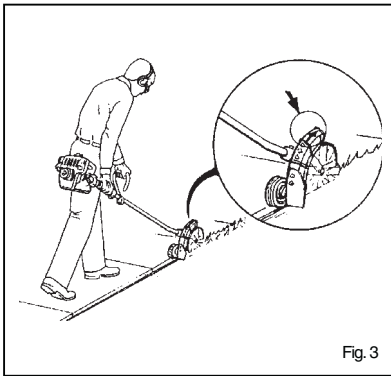
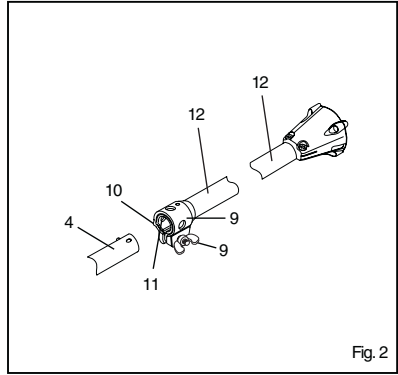
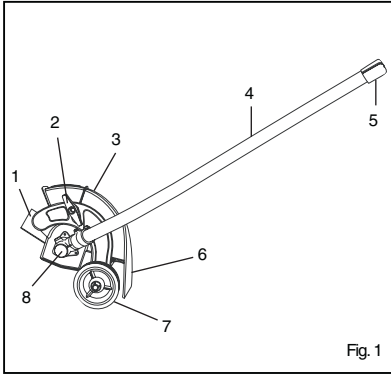


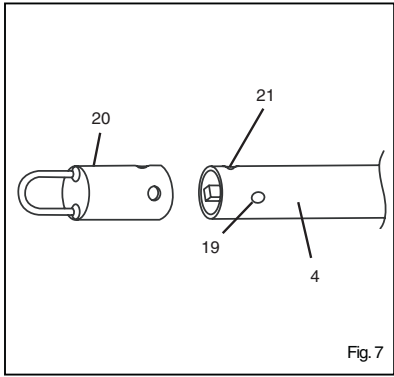
Expand^{it}
Attachment System

AED-03

**EDGER ATTACHMENT
OPERATOR'S MANUAL**







Important!

It is essential that you read the instructions in this manual before mounting and operating this machine.

Subject to technical modifications



WARNING

Read and understand all instructions. Failure to follow all instructions listed below, may result in electric shock, fire and/or serious personal injury.

SAVE THESE INSTRUCTIONS.

GENERAL SAFETY RULES

- For safe operation, read and understand all instructions before using the straight shaft trimmer attachment. Follow all safety instructions. Failure to follow all safety instructions listed below, can result in serious personal injury.
- Do not allow children or untrained individuals to use this unit.
- Wear safety glasses or goggles that are marked to comply with ANSI Z87.1 standards and hearing protection when operating this unit.
- Wear heavy long pants, boots, and gloves. Do not wear loose fitting clothing, short pants, jewelry of any kind, or go barefoot.
- Secure long hair so it is above shoulder level to prevent entanglement in any moving parts.
- Keep all bystanders, children, and pets at least 15 m away.
- Do not operate this unit when you are tired, ill, or under the influence of alcohol, drugs, or medication.
- Do not operate in poor lighting.
- Keep firm footing and balance. Do not overreach. Overreaching can result in loss of balance or exposure to hot surfaces.
- Keep all parts of your body away from any moving part.
- Do not touch areas around the muffler or cylinder of the power head, these parts get hot from operation. Failure to do so could result in possible serious personal injury.
- Always stop the engine and remove the spark plug wire before making any adjustments or repairs except for carburetor adjustments.
- Inspect unit before each use for loose fasteners, damaged or missing parts. Correct before using the straight shaft trimmer attachment. Failure to do so can cause serious injury.
- Check for damaged parts. Before further use of the appliance, any part that is damaged should be carefully checked to determine that it will operate properly and perform its intended function. Check for alignment of moving parts, binding of moving parts,

breakage of parts, mounting, and any other conditions that may affect its operation. A guard or other part that is damaged should be properly repaired or replaced by an authorized service center.

- Use only original manufacturer's replacement parts. Failure to do so, may cause poor performance, possible injury, and will void your warranty.
- Do not, under any circumstance, use any attachment or accessory on this product which was not provided with the product or identified as appropriate for use with this product in the Operator's Manual.

SPECIFIC SAFETY RULES FOR EDGER USE

- Clear the work area before each use. Remove all objects such as rocks, broken glass, nails, wire, or string which can be thrown or become entangled in the edger blade.
- Be sure all guards are properly and securely attached.
- Replace dull or worn blade; do not attempt to sharpen.
- Use this edger for edging along sidewalks, driveways, flower beds, and similar areas. Do not use for any other purpose.
- Be thoroughly familiar with the controls. Know how to stop the unit and disengage the controls quickly.
- Do not use edger in rain or wet locations.
- Do not use the edger on or near graveled surfaces.
- If the edger strikes any type of foreign object:
 1. Stop the edger and disconnect the spark plug wire.
 2. Inspect for damage to the edger attachment.
 3. Correct damage before using the edger attachment. Failure to do so can cause serious injury.
- Make yourself familiar with the area you are edging. Be aware of uneven sidewalks, holes in the terrain as well as other similar hazardous conditions. Always push the edger attachment slowly over rough ground.
- Always stop the engine and remove the spark plug wire before attempting to remove any obstruction caught or jammed in the blade, before installing attachment, or making any adjustments.
- Do not attempt to remove cut material nor hold material to be cut when the engine is running or when the cutting blade is moving.
- Keep feet away from the cutting area.

SPECIFIC SAFETY RULES FOR EDGER USE

- Always keep the right hand on the rear handle and the left hand on the front handle when the blade is rotating.



WARNING

A coasting blade can cause injury while it continues to spin after the engine is stopped or throttle trigger released. Maintain proper control until the blade has completely stopped rotating.

SYMBOL

Some of the following symbols may be used on this tool. Please study them and learn their meaning. Proper interpretation of these symbols will allow you to operate the tool better and safer.

SYMBOL	NAME	DESIGNATION / EXPLANATION
	Safety Alert	Precautions that involve your safety.
	Read the Operator's Manual	To reduce the risk of injury, user must read and understand operator's manual before using this product.
	Eye and Hearing Protection	Wear eye and hearing protection when operating this equipment.
	Ricochet	Danger of Ricochet.
	Feet	Keep feet away from the cutting area.
	Keep bystanders away	Keep all bystanders, children and pets at least 5 m away.

DESCRIPTION

- Blade
- Adjusting Knob
- Blade Guard
- Edger Attachment Shaft
- End Cap
- Debris Flap
- Wheel

- Gear Head
- Coupler & Knob
- Guide Recess
- Positioning Hole
- Power Head Shaft
- Wheel Arm
- Blade Depth
- Curb Guide
- Holding Pin
- Lower Flange Washer
- Upper Flange Washer
- Button
- Hanger Cap
- Hanger Hole

ASSEMBLY

The edger attachment is fully assembled at the factory and requires no further assembly.

JOINING THE POWER HEAD TO THE EDGER ATTACHMENT (Fig. 2)



WARNING

Never attach or adjust any attachment while power head is running. Failure to stop the engine can cause serious personal injury.

The edger attachment (4) connects to the power head by means of a coupler device.

- Loosen the knob on the coupler (9) of the power head shaft (12) and remove the end cap (5) from the edger shaft.
- Push in the button located on the edger attachment shaft. Align the button with the guide recess (10) on the power head coupler and slide the two shafts together. Rotate the edger attachment shaft until the button locks into the positioning hole (11).

Note: If the button does not release completely in the positioning hole, the shafts are not locked into place. Slightly rotate from side to side until the button is locked into place.

- Tighten the knob securely.



WARNING

Be certain the knob is fully tightened before operating equipment; check it periodically for tightness during use to avoid serious injury.

REMOVING THE ATTACHMENT FROM THE POWER HEAD

For removing or changing the attachment:

- Loosen the knob on the coupler.
- Push in the button and twist the shafts to remove and separate ends.

OPERATION



WARNING

Wear safety glasses or goggles when operating this tool. Failure to do so could result in possible serious injury.

OPERATING THE EDGER (Fig. 3)

Hold the edger with the right hand on the rear handle and the left hand on the front handle. The edger should be held on the right side of the body. Keep a firm grip with both hands while in operation. The edger should be held at a comfortable position with the rear handle about hip height.

Always operate the unit at full throttle. Prolonged cutting at partial throttle will result in oil dripping from the muffler.

CUTTING TIPS

- The edger will edge along sidewalks, driveways, flower beds, curbs, and similar areas.
- Use the arrow guide on the blade guard to align the blade with the edging surface.
- Cut at a steady pace. If the blade begins to bog down, you are edging too fast; slow your pace. Do not force the blade into ground.
- Light contact of the blade against the sidewalk edge, curb, etc. is acceptable and will not damage the edger.
- Best appearance is obtained when grass is dry. Avoid edging in wet soil or wet grass areas or the blade guard might clog and result in an uneven edge. If the blade guard becomes clogged, stop the engine, and remove debris from the blade guard.

TO ADJUST THE BLADE DEPTH (Fig. 4 and 5)

Depth of the cut is determined by the distance from the bottom of the wheel to the tip of blade.

- Stop the engine and disconnect the spark plug wire.
- Loosen the adjusting knob (2) and move the wheel arm (13) up to increase the depth and down to decrease the depth.
- After adjustment is complete, tighten the adjusting knob securely.
- Connect the spark plug wire and start the engine.

Note: Adjust the blade depth (14) from 1.2 to 2.5 cm deep initially. Make a shallow cut to test the cutting depth. If the cutting depth needs adjusting, this should be done progressively until the desired depth is reached.

MAINTENANCE



WARNING

Use only original manufacturer's replacement parts, accessories and attachments. Failure to do so may cause poor performance, possible injury and may void your warranty.

BLADE REPLACEMENT (Fig. 6)

Replace blades that are damaged or worn.

- Place the holding pin through the slot in the upper flange washer and rest it against the bolt head of the blade guard.
- Using a 1/2 inch socket wrench, turn the blade nut clockwise to loosen.
- Remove the blade from the edger shaft.
- Clean debris (6) from the edger shaft and flange washers.
- Center the blade on the upper flange washer making sure the blade sits flat.
- Install the lower flange washer with the cupped hole away from the blade.
- Install the blade nut onto the edger shaft.
- Place the holding pin through the slot in the upper flange washer and rest it against bolt head of the blade guard.
- Using a 1/2 inch socket wrench, turn the blade nut counterclockwise onto the edger shaft. Tighten securely.

STORING THE EDGER ATTACHMENT

Store the edger attachment in a well ventilated place that is inaccessible to children. Keep away from corrosive agents such as garden chemicals and de-icing salts.

To remove the edger attachment from the power head for storage:

- Loosen the knob on the coupler device.
- Push the button (19) in, then twist the shafts to remove and separate the power head from the attachment.

For storing information: Please refer to the operator's manual of your power head.

ATTACHING THE STORAGE HANGER (Fig. 9)

There are two ways to hang your attachment for storage.

- To use the hanger cap (20), push in the button and place the hanger cap over end of the edger attachment shaft. Slightly rotate the cap from side to side until the button locks into place.
- The hanger hole (21) in the edger attachment shaft can be used for hanging purposes as well.

RYOBI TECHNOLOGIES AUSTRALIA PTY. LTD.

GUARANTEE



Subject to the guarantee condition below, this Ryobi tool (hereinafter called "the product") is guaranteed by Ryobi (hereinafter called "the Company") to be free from defects in material or workmanship for a period of 24 months from the date of original purchase covering both parts and labour. Under the terms of this guarantee, the repair or replacement of any part shall be the opinion of the Company or its authorised agent. Should service become necessary during the warranty period, the owner should contact the RYOBI HELPLINE 1300 361 505 or contact the retailer from whom the product was purchased.

In order to obtain guarantee service, the owner must present the sales docket and Guarantee Certificate to confirm date of purchase. This product is sold by the dealer or agent as principal and the dealer has no authority from the Company to give any additional guarantee on the Company's behalf except as herein contained or herein referred to.

Guarantee Conditions

This guarantee only applies provided that the Product has been used in accordance with the manufacturer's recommendations under normal use and reasonable care (in the opinion of the Company) and such

guarantee does not cover damage, malfunction or failure resulting from misuse, neglect, abuse, or used for a purpose for which it was not designed or is not suited and no repairs, alterations or modifications have been attempted by other than an Authorised Service Agent. This guarantee will not apply if the tool is damaged by accident or if repairs arise from normal wear and tear.

The Company accepts no additional liability pursuant to this guarantee for the costs of travelling or transportation of the Product or parts to and from the service dealer or agent - such costs are not included in this guarantee.

Certain legislation, including the Trade Practices Act, 1974 (as amended) and other state and territorial laws give rights to the buyer and impose liability on the seller in certain circumstances. Nothing herein shall have the effect of excluding, restricting or modifying any condition, guarantee, right or liability imposed, to the extent only that such exclusion, restriction or modification would render any term herein void.

RYOBI.

RYOBI TECHNOLOGIES AUSTRALIA PTY. LTD.

A.B.N. 98 002 277 509

SYDNEY: Building B, Rosehill Industrial Estate, 3-5 Shirley Street, Rosehill N.S.W. 2142

Contact during normal business hours.

Tel: 1300 361 505 - Fax: 1800 807 993 - www.ryobi.com.au

BRISBANE : All enquiries Tel : 1300 361 505
TOWNSVILLE: All enquiries Tel : 1300 361 505
MELBOURNE: All enquiries Tel : 1300 361 505

HOBART: All enquiries Tel : 1300 361 505
ADELAIDE: All enquiries Tel : 1300 361 505
PERTH: 33-35 Sorbonne Cres. Canning Vale, W.A. 6155
Tel : (08) 9455 7775

RYOBI NEW ZEALAND PTY. LTD.

AUCKLAND: 27 Clemow Drive, Mt Wellington, N.Z.

Tel: (09) 573 0230 - Free Call: 0800 279 624 - Fax: (09) 573 0231 - www.ryobi.co.nz

Contact during normal business hours.

This Guarantee Form Should Be Retained By The Customer At All Times

For your record and to assist in establishing date of purchase (necessary for in-guarantee service) please keep your purchase docket and this form completed with the following particulars.

Address Of Dealer _____

Date _____ Model No _____ Serial No _____

Present This Form With Your Purchase Docket When Guarantee Service Is Required.