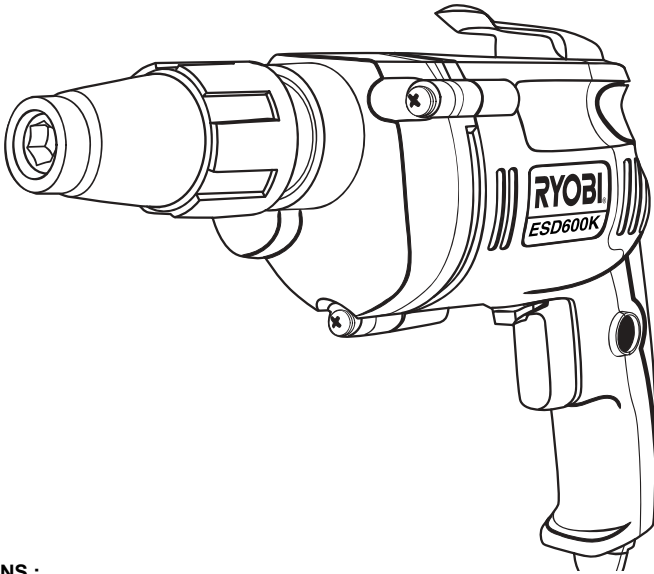


RYOBI®

OWNER'S OPERATING MANUAL TEK SCREW DRIVER MODEL ESD600K



SPECIFICATIONS :

Voltage..... 240 V ~ 50 Hz
Input 600 watt
No Load Speed 0 - 2,500 min⁻¹
Net Weight 1.9 kg



**DOUBLE
INSULATED**



N197

THANK YOU FOR BUYING A RYOBI SCREW DRIVER

Your new screw driver has been engineered and manufactured to Ryobi's high standard for dependability, ease of operation, and operator safety. Properly cared for, it will give you years of rugged, trouble free performance.



CAUTION: Carefully read through this entire owner's manual before using your screw driver.

Pay close attention to the Rules for Safe Operation, Warnings, and Cautions.

If you use your screw driver properly and only for what it is intended, you will enjoy years of safe, reliable service.

Thank You again for buying Ryobi tools.

SAVE THIS MANUAL FOR FUTURE REFERENCE.

RULES FOR SAFE OPERATION

The purpose of safety rules is to attract your attention to possible dangers. The safety symbols and the explanations with them, require your careful attention and understanding. The safety warnings do not by themselves eliminate any danger. The instruction or warnings they give are not substitutes for proper accident prevention measures.



SAFETY ALERT SYMBOL. Indicates caution or warning. May be used in conjunction with other symbols or pictures.



WARNING: Failure to obey a safety warning can result in serious injury to yourself or to others. Always follow the safety precautions to reduce the risk of fire, electric shock and personal injury.



WARNING: Do not attempt to operate this tool until you have read thoroughly and understood completely, safety rules, etc. contained in this manual. Failure to comply can result in accidents involving fire, electric shock or serious personal injury. Save owners manual and review frequently for continuing safe operation and instructing others who may use this tool.



The operation of any tool can result in foreign objects being thrown into your eyes, which can result in severe eye damage. Before beginning power tool operation, always wear safety goggles or safety glasses with side shields and a full face shield when needed. We recommend Wide Vision Safety Mask for use over eyeglasses or standard safety glasses with side shields.

- 1. KNOW YOUR POWER TOOL.** Read owners manual carefully. Learn its applications and limitations as well as the specific potential hazards related to this tool.
- 2. GUARD AGAINST ELECTRICAL SHOCK BY PREVENTING BODY CONTACT WITH GROUNDED SURFACES.** For example, pipes, radiators, ranges, refrigerator enclosures.
- 3. KEEP WORK AREA CLEAN.** Cluttered areas and benches invite accidents.
- 4. AVOID DANGEROUS ENVIRONMENT.** Don't use power tools in damp or wet locations or expose to rain. Keep work area well lit.
- 5. KEEP CHILDREN AND VISITORS AWAY.** Visitors should wear safety glasses and be kept a safe distance from work area. Do not let visitors contact tool or extension cord.
- 6. STORE IDLE TOOLS.** When not in use, tools should be stored in a dry and high or locked-up place, out of reach of children.
- 7. DON'T FORCE TOOL.** It will do the job better and safer at the rate at which it was designed.
- 8. USE RIGHT TOOL.** Don't force small tool or attachment to do the job of a heavy duty tool. Don't use tool for purpose not intended.

- 9. DRESS PROPERLY.** Do not wear loose clothing or jewellery. They can be caught in moving parts. Rubber gloves and non-skid footwear are recommended when working outdoors. Also wear protective hair covering to contain long hair.
- 10. ALWAYS WEAR SAFETY GLASSES.** Everyday eyeglasses have only impact resistant lenses, they are not safety glasses.
- 11. PROTECT YOUR LUNGS.** Wear a dust mask if operation is dusty.
- 12. PROTECT YOUR HEARING.** Wear hearing protection during extended periods of operation.
- 13. DON'T OVERREACH.** Keep proper footing and balance at all times. Do not use tool on a ladder or unstable support. Secure tools when working at elevated levels.
- 14. MAINTAIN TOOLS WITH CARE.** Keep tools sharp and clean for better and safer performance. Follow instructions for lubricating and changing accessories.
- 15. REMOVE ADJUSTING KEYS AND WRENCHES.** Form a habit of checking to see that keys and adjusting wrenches are removed from tool before turning it on.
- 16. NEVER USE IN AN EXPLOSIVE ATMOSPHERE.** Normal sparking of the motor could ignite fumes.
- 17. KEEP HANDLES DRY, CLEAN AND FREE FROM OIL AND GREASE.** Always use a clean cloth when cleaning. Never use brake fluids, gasoline, petroleum based products, or any strong solvents to clean your tool.
- 18. STAY ALERT AND EXERCISE CONTROL.** Watch what you are doing and use common sense. Do not operate tool when you are tired. Do not rush operation of tool.
- 19. CHECK DAMAGED PARTS.** Before further use of the tool, a guard or any other part that is damaged should be carefully checked to determine that it will operate properly and perform its intended function. Check for alignment of moving parts, binding of moving parts, breakage of parts, mounting and any other conditions that may affect its operation. A guard or any other part that is damaged should be properly repaired or replaced by an authorised service centre.
- 20. DO NOT USE TOOL IF SWITCH DOES NOT TURN IT ON AND OFF.** Have defective switches replaced by authorised service centre.
- 21. DO NOT OPERATE THIS TOOL WHILE UNDER THE INFLUENCE OF DRUGS, ALCOHOL OR ANY MEDICATION.**
- 22. THE APPLIANCE IS NOT INTENDED FOR USE BY YOUNG OR INFIRM PERSONS WITHOUT SUPERVISION. YOUNG CHILDREN SHOULD BE SUPERVISED TO ENSURE THAT THEY DO NOT PLAY WITH THE APPLIANCE.**

SAVE THESE INSTRUCTIONS FOR FUTURE REFERENCE

Due to continued product refinement policy, product features and specifications can and will change without notice. Check current features and specifications with your retailer.

FEATURES

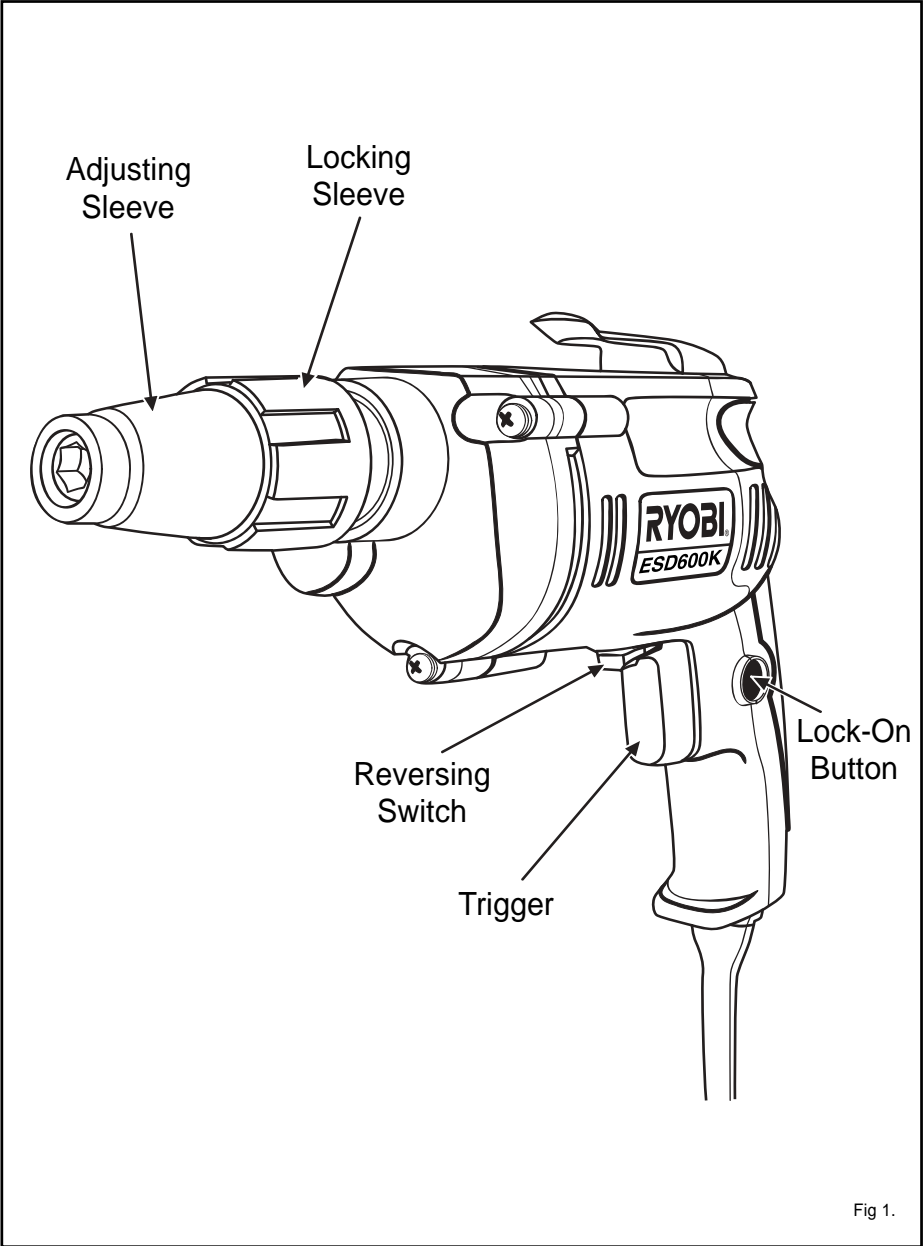


Fig 1.

SCREW DRIVER SAFETY PRECAUTIONS

1. Never touch the chuck or other metal parts of the screw driver when screwing into walls, boards or other surfaces covering electrical wiring. Hold the screw driver around plastic parts to prevent electric shocks.
2. Match bit holder to screw size to prevent damage to the screw head.
3. Never cover vents since they must always be open for proper motor cooling.

STANDARD ACCESSORIES

8mm magnetic bit holder, 10mm magnetic bit holder, 8mm plastic nose piece, 10mm plastic nose piece.

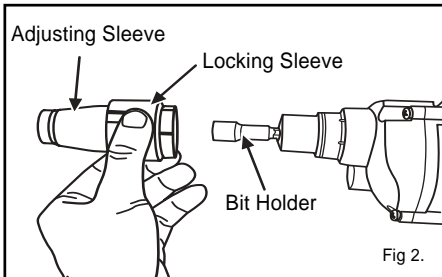
APPLICATION

(Only use your tool for the purposes listed below.)
Tightening and loosening teks screw.

Recommended application with hardest media is driving tek screw into light gauge steel.

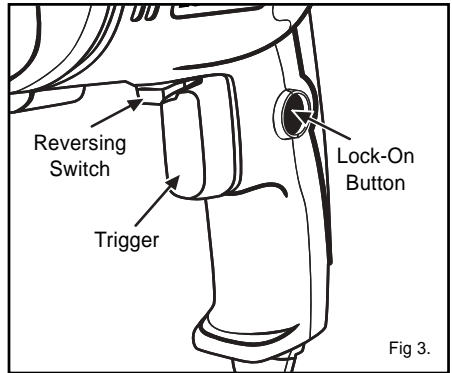
REPLACING THE BIT HOLDER (Fig 2.)

1. Pull the locking sleeve. The locking sleeve and adjusting sleeve come out of the gear case as a unit.
2. Pull the bit holder straight out. If it is difficult to remove by hand, use pliers.
3. Insert the bit holder in the hex. hole of the spindle until the ball-lock of the bit holder snaps into the groove in the gear case then push in the adjusting sleeve as far as it will go.



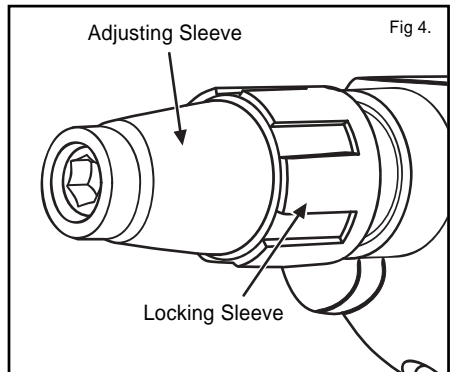
TRIGGER SWITCH (Fig 3.)

1. This tool is started and stopped by depressing and releasing the trigger.
2. If you want to set a constant speed for continuous operation, press the lock-on button while the trigger is depressed. Depress the trigger again to release the lock.
3. To reverse the direction of rotation, stop the driver by releasing the trigger and push the reversing switch to the right or left.
4. When the reversing switch is set to the LEFT the screw driver will turn clockwise (seen from the handle end of the driver).
5. When the reversing switch is set to the RIGHT the screw driver will turn anti-clockwise.



DEPTH SETTING (Fig 4.)

1. The tool's adjustable nose piece enables you to automatically drive a screw to a preset depth.
2. To adjust your screw driver so it will drive screws to the desired depth, unlock the locking sleeve.
3. Turn the adjusting sleeve to the appropriate bit holder depth or to any desired depth.
4. Test the driver by screwing in a fastener in scrap material to determine whether the screwing depth is correctly adjusted.
5. Further adjustment may be necessary to increase or decrease the screwing depth.



DRIVING SCREWS

1. To drive a screw, put the screwdriver bit holder in the screw head and align the driver in the desired position against the work surface.
2. Depress the trigger and once the motor is running, push the tool forward to start screwing or unscrewing.

RYOBI TECHNOLOGIES AUSTRALIA PTY. LTD.

GUARANTEE



Subject to the guarantee condition below, this Ryobi tool (hereinafter called "the product") is guaranteed by Ryobi (hereinafter called "the Company") to be free from defects in material or workmanship for a period of 12 months from the date of original purchase covering both parts and labour. Under the terms of this guarantee, the repair or replacement of any part shall be the opinion of the Company or its authorised agent. Should service become necessary during the warranty period, the owner should contact the Authorised Ryobi Retailer from whom the Product was purchased, or the nearest Company Branch Office. In order to obtain guarantee service, the owner must present the sales docket and Guarantee Certificate to confirm date of purchase. This product is sold by the dealer or agent as principal and the dealer has no authority from the Company to give any additional guarantee on the Company's behalf except as herein contained or herein referred to.

Guarantee Conditions

This guarantee only applies provided that the Product has been used in accordance with the manufacturer's recommendations under normal use and reasonable care (in the opinion of the Company) and such

guarantee does not cover damage, malfunction or failure resulting from misuse, neglect, abuse, or used for a purpose for which it was not designed or is not suited and no repairs, alterations or modifications have been attempted by other than an Authorised Service Agent. This guarantee will not apply if the tool is damaged by accident or if repairs arise from normal wear and tear.

The Company accepts no additional liability pursuant to this guarantee for the costs of travelling or transportation of the Product or parts to and from the service dealer or agent - such costs are not included in this guarantee.

Certain legislation, including the Trade Practices Act, 1974 (as amended) and other state and territorial laws give rights to the buyer and impose liability on the seller in certain circumstances. Nothing herein shall have the effect of excluding, restricting or modifying any condition, guarantee, right or liability imposed, to the extent only that such exclusion, restriction or modification would render any term herein void.

RYOBI®

RYOBI TECHNOLOGIES AUSTRALIA PTY. LTD.

A.B.N. 98 002 277 509

SYDNEY: 359-361 Horsley Road, Milperra, N.S.W. 2214.

Contact during normal business hours.

Tel: (02) 9792 9888 - Fax: 1800 807 993 - Email: info@ryobi.aust.com

BRISBANE: All enquiries Tel : 1300 361 505
TOWNSVILLE: All enquiries Tel : 1300 361 505
MELBOURNE: 960 Stud Road, Rowville, Vic. 3178
Tel : (03) 9764 8655

HOBART: All enquiries Tel : 1300 360 216
ADELAIDE: All enquiries Tel : 1300 360 216
PERTH: 33-35 Sorbonne Cres., Canning Vale, W.A. 6155.
Tel : (08) 9455 7775

RYOBI NEW ZEALAND PTY. LTD.

AUCKLAND: 503 Mt Wellington Highway, Mt Wellington, N.Z.

Tel: (09) 573 0230 - Free Call: 0800 279 624 - Fax: (09) 573 0231 - Email: info@ryobi.co.nz

Contact during normal business hours.

This Guarantee Form Should Be Retained By The Customer At All Times

For your record and to assist in establishing date of purchase (necessary for in-guarantee service) please keep your purchase docket and this form completed with the following particulars.

Purchased From _____

Address Of Dealer _____

Date _____ Model No _____ Serial No _____

Present This Form With Your Purchase Docket When Guarantee Service Is Required.