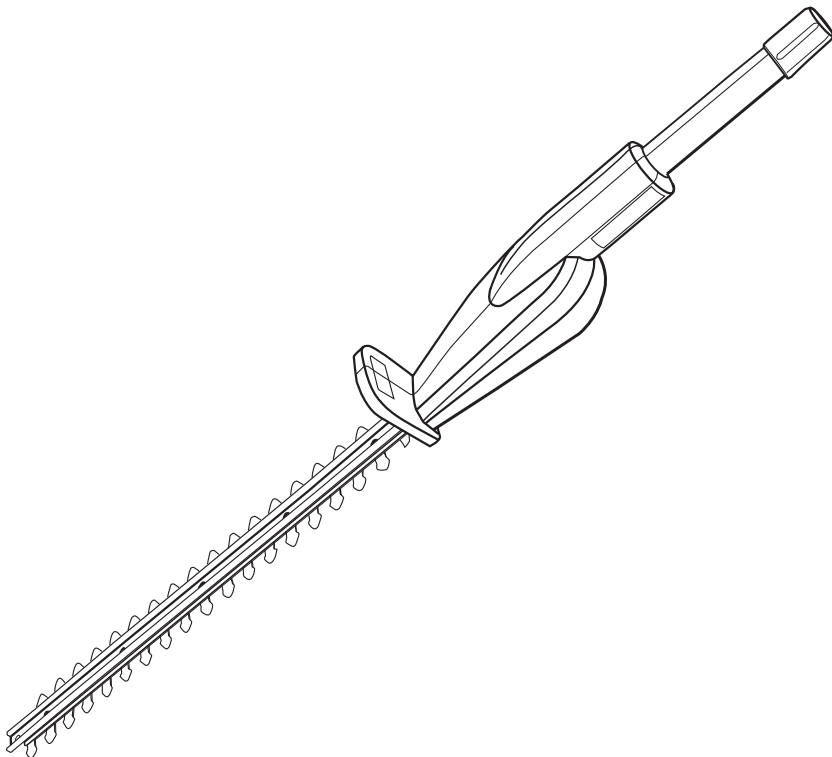


Expand^{it}
Attachment System

AHF-03

**HEDGE TRIMMER ATTACHMENT
OPERATOR'S MANUAL**



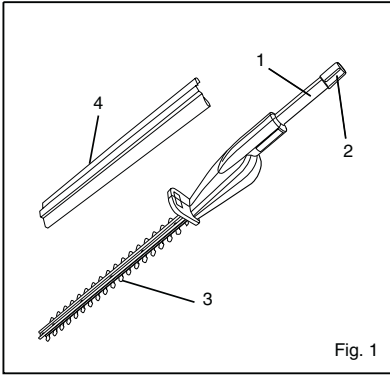


Fig. 1

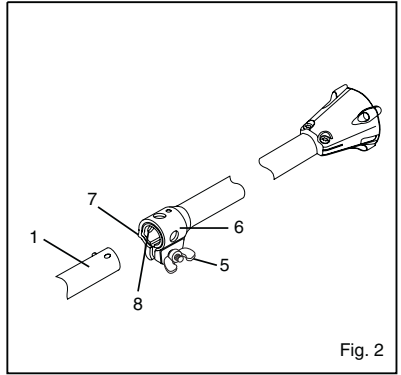


Fig. 2

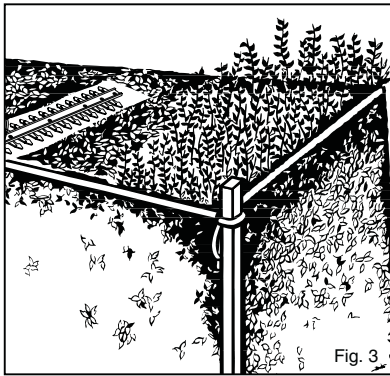


Fig. 3

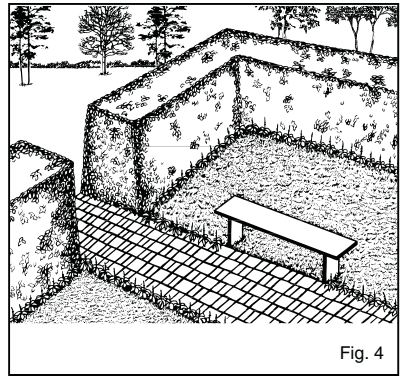


Fig. 4

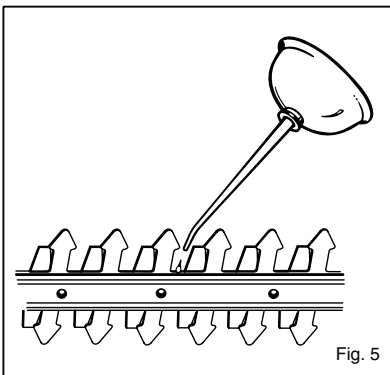


Fig. 5

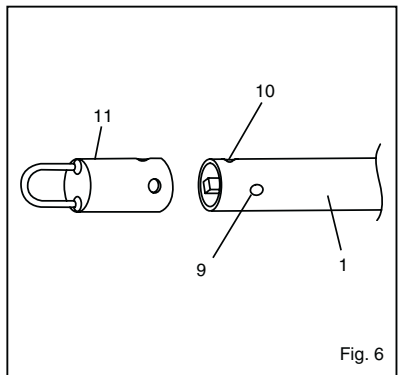


Fig. 6

Important!

It is essential that you read the instructions in this manual before mounting and operating this machine.

Subject to technical modifications



WARNING

Read and understand all instructions.

Failure to follow all instructions listed below, may result in electric shock, fire and/or serious personal injury.

SAVE THESE INSTRUCTIONS.






GENERAL SAFETY RULES

- For safe operation, read and understand all instructions before using the straight shaft trimmer attachment. Follow all safety instructions. Failure to follow all safety instructions listed below, can result in serious personal injury.
- Do not allow children or untrained individuals to use this unit.
- Wear safety glasses or goggles that are marked to comply with ANSI Z87.1 standards and hearing protection when operating this unit.
- Wear heavy long pants, boots, and gloves. Do not wear loose fitting clothing, short pants, jewelry of any kind, or go barefoot.
- Secure long hair so it is above shoulder level to prevent entanglement in any moving parts.
- Keep all bystanders, children, and pets at least 15 m away.
- Do not operate this unit when you are tired, ill, or under the influence of alcohol, drugs, or medication.
- Do not operate in poor lighting.
- Keep firm footing and balance. Do not overreach. Overreaching can result in loss of balance or exposure to hot surfaces.
- Keep all parts of your body away from any moving part.
- Do not touch areas around the muffler or cylinder of the power head, these parts get hot from operation. Failure to do so could result in possible serious personal injury.
- Always stop the engine and remove the spark plug wire before making any adjustments or repairs except for carburetor adjustments.
- Inspect unit before each use for loose fasteners, damaged or missing parts. Correct before using the straight shaft trimmer attachment. Failure to do so can cause serious injury.
- Check for damaged parts. Before further use of the appliance, any part that is damaged should be carefully checked to determine that it will operate properly and perform its intended function. Check for alignment of moving parts, binding of moving parts, breakage of parts, mounting, and any other conditions that may affect its operation. A guard or other part that is damaged should be properly repaired or replaced by an authorized service center.
- Use only original manufacturer's replacement parts. Failure to do so, may cause poor performance, possible injury, and will void your warranty.
- Do not, under any circumstance, use any attachment or accessory on this product which was not provided with the product or identified as appropriate for use with this product in the Operator's Manual.

English

SYMBOLS

Important: Some of the following symbols may be used on your tool. Please study them and learn their meaning. Proper interpretation of these symbols will allow you to operate the tool better and safer.


	NAME	EXPLANATION
	Safety Alert Symbol	Indicates danger, warning or caution. It means attention!!! Your safety is involved.
	Read Your Operator's Manual	Your manual contains special messages to bring attention to potential safety concerns as well as operating and servicing information. Please read all the information carefully to ensure satisfaction and safe use.
	Wear eye and hearing protection	Wear eye and hearing protection when operating this equipment.
	Keep bystanders away	Keep all bystanders at least 15 m away.
	Sharp Blade	Sharp cutting blades. To prevent serious injury, do not touch cutting blades.

DESCRIPTION

1. Attachment shaft
2. End cap
3. Hedge blade
4. Blade sheath
5. Knob
6. Coupler
7. Guide recess
8. Positioning hole
9. Button
10. Second hole
11. Hanger cap

ASSEMBLY

JOINING THE POWER HEAD TO THE ATTACHMENT (Fig. 1 & 2)

 **WARNING**
Never attach or adjust any attachment while power head is running. Failure to stop the engine may cause serious personal injury.

The attachment connects to the power head by means of a coupler device.

- Loosen the knob (5) on the coupler (6) of the power head shaft and remove the end cap (2) from the

attachment shaft (1).

- Push in the button located on the attachment shaft. Align the button with the guide recess (7) on the power head coupler and slide the two shafts together. Rotate the attachment shaft until the button locks into the positioning hole (8).

Note: If the button does not release completely in the positioning hole, the shafts are not locked into place. Slightly rotate from side to side until the button is locked into place.

- Tighten the knob securely.



WARNING

Be certain the knob is fully tightened before operating equipment; check it periodically for tightness during use to avoid serious injury or product damage.

REMOVING THE ATTACHMENT FROM THE POWER HEAD

For removing or changing the attachment:

- Loosen the knob.
- Push in the button and twist the shafts to remove and separate ends.

OPERATION



WARNING

Clear the area to be cut before each use. Remove all objects such as cords, lights, wire, or string which can become entangled in the cutting blade and create a risk of serious personal injury.

- Do not force the hedge trimmer through heavy shrubbery. This can cause the blades to bind and slow down. If the blades slow down, reduce the pace.
- Do not try to cut stems or twigs that are larger than 10 mm thick, or those obviously too large to feed into the cutting blade. Use a non-powered hand saw or pruning saw to trim large stems.
- If desired, you can use a string to help cut your hedge level. Decide how high you want the hedge. Then, stretch a piece of string along the hedge at this height. Trim the hedge just above this line of string (Fig. 3). Trim the side of a hedge so that it will be slightly narrower at the top (Fig. 4). More of the hedge will be exposed when shaped this way, and it will be more uniform.
- Wear gloves when trimming thorny or growth. When trimming new growth, use a wide sweeping action, so that the stems are fed directly into the cutting blade. Older growth will have thicker stems and will be trimmed easiest by using a sawing movement.

MAINTENANCE



WARNING

Use only original manufacturer's replacement parts, accessories and attachments. Failure to do so may cause poor performance, possible injury and may void your warranty.

You may make adjustments and repairs described in the maintenance section. For other repairs, have the unit serviced by an authorized servicing dealer.

BLADE REPLACEMENT

Note: We recommend that you take the hedge trimmer attachment to your nearest authorized service dealer to replace the blade.

LUBRICATING BLADE (Fig. 5)

- For easier operation and longer blade life, lubricate the hedge trimmer attachment blade before and after each use. Before lubricating, be sure the switch is in the OFF position on the powerhead. Apply light machine oil along the edge of the top of strap.
- Occasionally, you should oil your hedge trimmer attachment during use. Before oiling, shut off powerhead, then oil. You then can resume trimming. Do not oil while hedge trimmer attachment is running.

ATTACHING THE STORAGE HANGER (Fig. 6)

There are two ways to hang your attachment for storage.

- To use the hanger cap (11), push in the button (9) and place the hanger cap over end of the attachment shaft. Slightly rotate the cap from side to side until the button locks into place.
- The secondary hole (10) in the attachment shaft can be used for hanging purposes as well.

RYOBI TECHNOLOGIES AUSTRALIA PTY. LTD.

GUARANTEE



Subject to the guarantee condition below, this Ryobi tool (hereinafter called "the product") is guaranteed by Ryobi (hereinafter called "the Company") to be free from defects in material or workmanship for a period of 24 months from the date of original purchase covering both parts and labour. Under the terms of this guarantee, the repair or replacement of any part shall be the opinion of the Company or its authorised agent. Should service become necessary during the warranty period, the owner should contact the RYOBI HELPLINE 1300 361 505 or contact the retailer from whom the product was purchased.

In order to obtain guarantee service, the owner must present the sales docket and Guarantee Certificate to confirm date of purchase. This product is sold by the dealer or agent as principal and the dealer has no authority from the Company to give any additional guarantee on the Company's behalf except as herein contained or herein referred to.

Guarantee Conditions

This guarantee only applies provided that the Product has been used in accordance with the manufacturer's recommendations under normal use and reasonable care (in the opinion of the Company) and such

guarantee does not cover damage, malfunction or failure resulting from misuse, neglect, abuse, or used for a purpose for which it was not designed or is not suited and no repairs, alterations or modifications have been attempted by other than an Authorised Service Agent. This guarantee will not apply if the tool is damaged by accident or if repairs arise from normal wear and tear.

The Company accepts no additional liability pursuant to this guarantee for the costs of travelling or transportation of the Product or parts to and from the service dealer or agent - such costs are not included in this guarantee.

Certain legislation, including the Trade Practices Act, 1974 (as amended) and other state and territorial laws give rights to the buyer and impose liability on the seller in certain circumstances. Nothing herein shall have the effect of excluding, restricting or modifying any condition, guarantee, right or liability imposed, to the extent only that such exclusion, restriction or modification would render any term herein void.

RYOBI.

RYOBI TECHNOLOGIES AUSTRALIA PTY. LTD.

A.B.N. 98 002 277 509

SYDNEY: Building B, Rosehill Industrial Estate, 3-5 Shirley Street, Rosehill N.S.W. 2142

Contact during normal business hours.

Tel: 1300 361 505 - Fax: 1800 807 993 - www.ryobi.com.au

BRISBANE : All enquiries Tel : 1300 361 505
TOWNSVILLE: All enquiries Tel : 1300 361 505
MELBOURNE: All enquiries Tel : 1300 361 505

HOBART: All enquiries Tel : 1300 361 505
ADELAIDE: All enquiries Tel : 1300 361 505
PERTH: 33-35 Sorbonne Cres. Canning Vale, W.A. 6155
Tel : (08) 9455 7775

RYOBI NEW ZEALAND PTY. LTD.

AUCKLAND: 27 Clemow Drive, Mt Wellington, N.Z.

Tel: (09) 573 0230 - Free Call: 0800 279 624 - Fax: (09) 573 0231 - www.ryobi.co.nz

Contact during normal business hours.

This Guarantee Form Should Be Retained By The Customer At All Times

For your record and to assist in establishing date of purchase (necessary for in-guarantee service) please keep your purchase docket and this form completed with the following particulars.

Address Of Dealer _____

Date _____ Model No _____ Serial No _____

Present This Form With Your Purchase Docket When Guarantee Service Is Required.