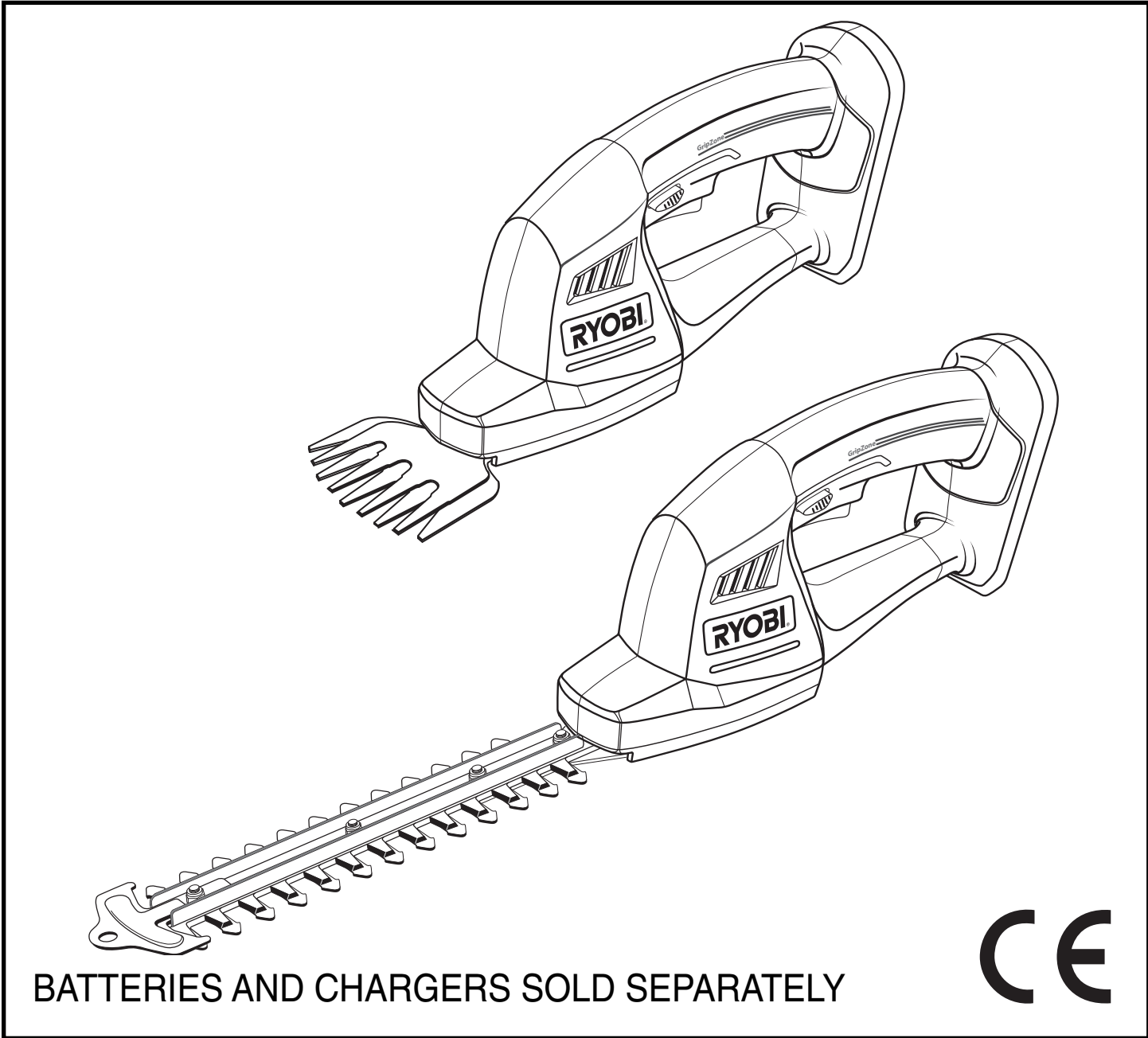




OGS1820

CORDLESS GRASS SHEAR / SHRUBBER OPERATOR'S MANUAL



BATTERIES AND CHARGERS SOLD SEPARATELY



Important!

It is essential that you read the instructions in this manual before mounting and operating this machine.

Subject to technical modifications

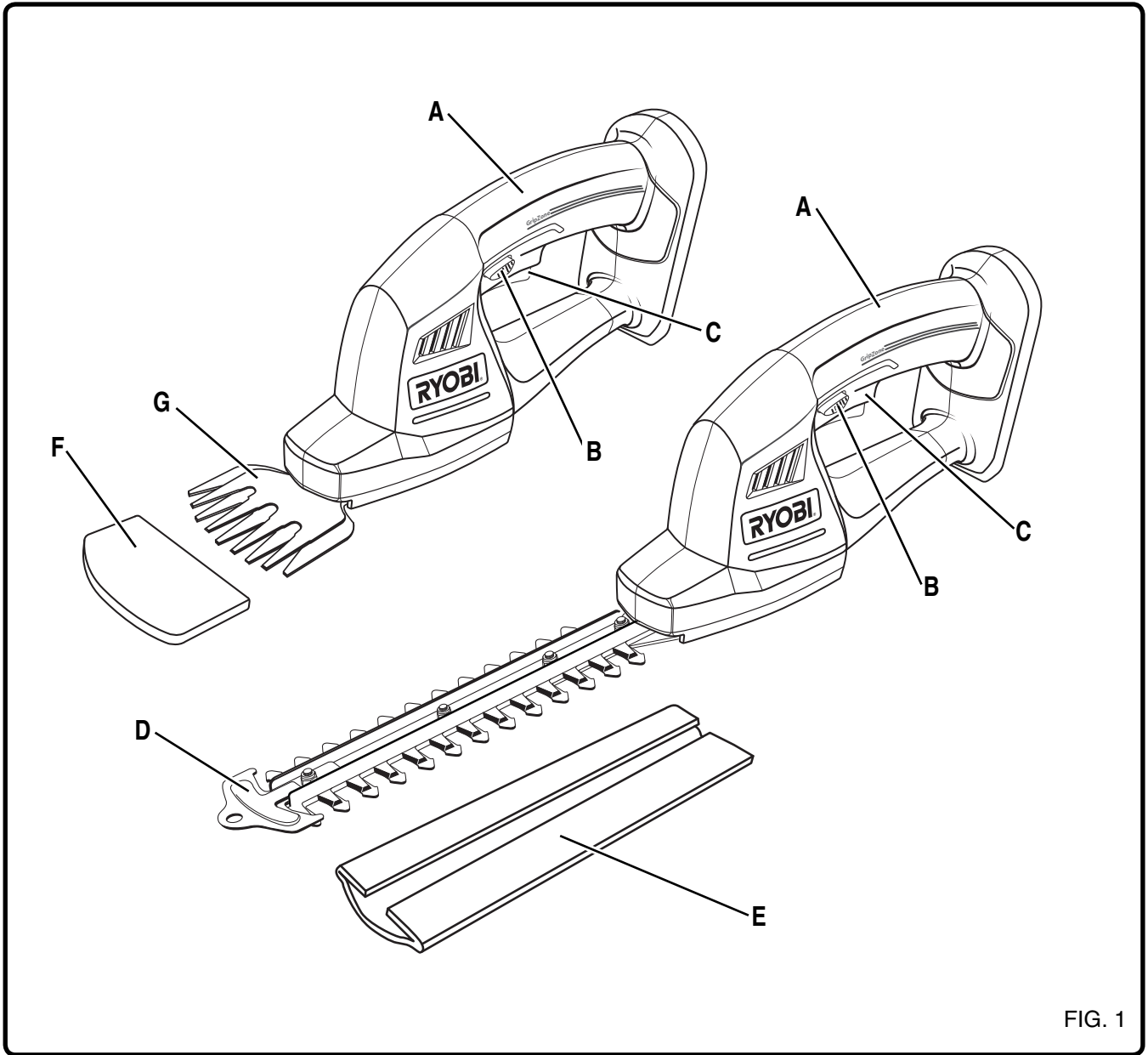


FIG. 1

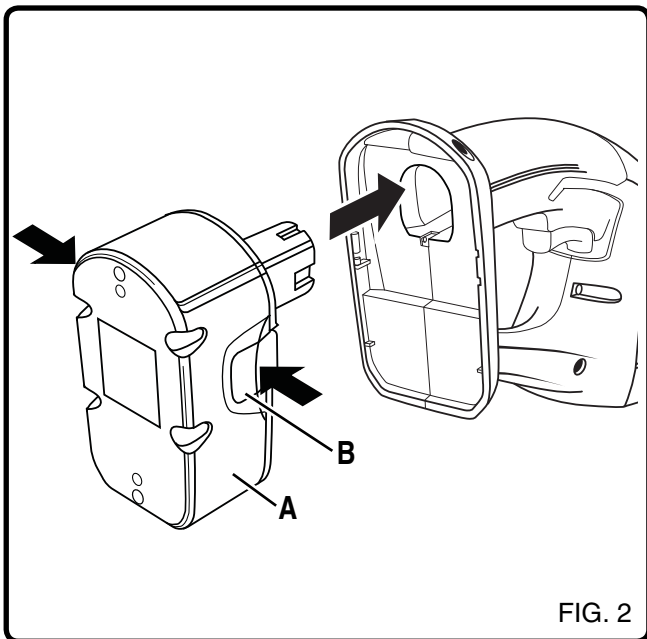


FIG. 2

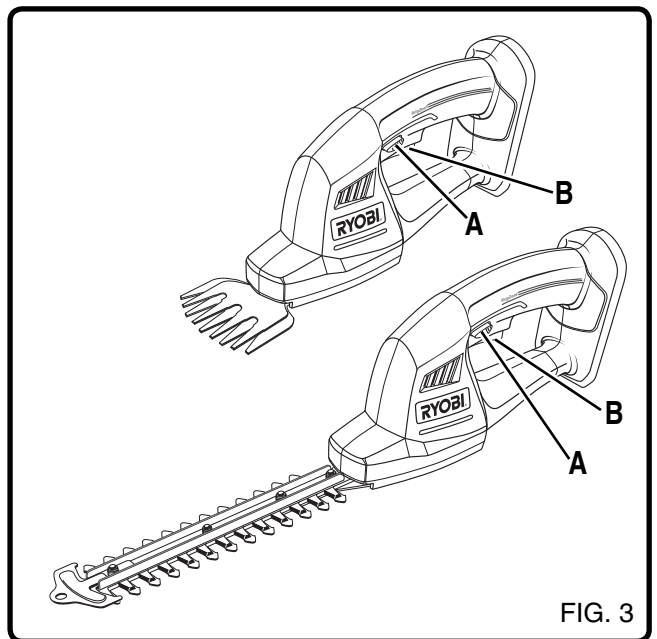
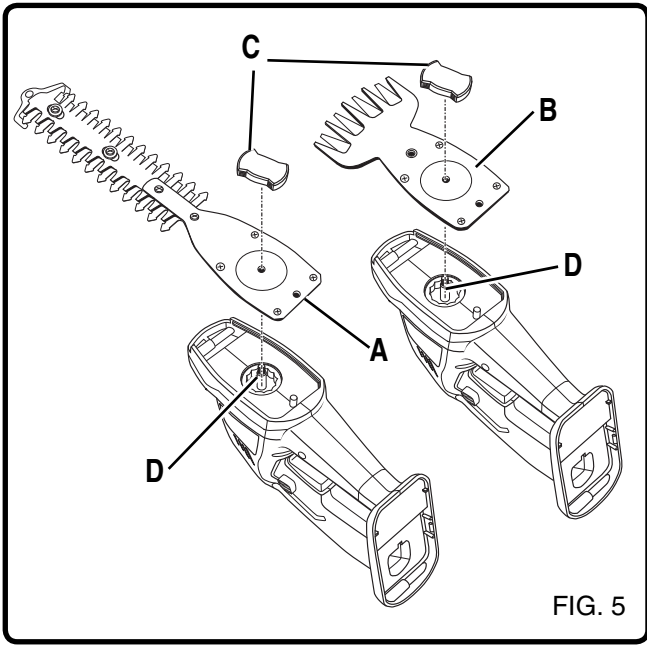


FIG. 3



RULES FOR SAFE OPERATION



WARNING:

The tools should be operated with the ONE+ battery pack.

When using battery operated tools basic safety precaution should always be followed to reduce the risk of fire, leaking batteries and personal injury, including the following.



Read the operation manual and follow all warnings and safety instructions.



Wear eye protection and ear protection.



Do not use this machine in wet weather conditions!



Wear protective clothing and boots.



Wear non-slip, heavy duty gloves.



Keep all bystanders at least 15m away.



Sharp cutting blades. To prevent serious injury, do not touch cutting blades.



Caution! Cutting means continues to run after the motor is switched off.

GENERAL POWER TOOL SAFETY WARNINGS



WARNING:

Read all safety warnings and all instructions. Failure to follow the warnings and instructions may result in electric shock, fire and/or serious injury.

■ Save all warnings and instructions for future reference.

The term “power tool” in the warnings refers to your mains-operated (corded) power tool or battery-operated (cordless) power tool.

WORK AREA SAFETY

- **Keep work area clean and well lit.** Cluttered or dark areas invite accidents.

- **Do not operate power tools in explosive atmospheres, such as in the presence of flammable liquids, gases or dust.** Power tools create sparks which may ignite the dust or fumes.
- **Keep children and bystanders away while operating a power tool.** Distractions can cause you to lose control.

ELECTRICAL SAFETY

- **Power tool plugs must match the outlet. Never modify the plug in any way. Do not use any adapter plugs with earthed (grounded) power tools.** Unmodified plugs and matching outlets will reduce risk of electric shock.
- **Avoid body contact with earthed or grounded surfaces, such as pipes, radiators, ranges and refrigerators.** There is an increased risk of electric shock if your body is earthed or grounded.
- **Do not expose power tools to rain or wet conditions.** Water entering a power tool will increase the risk of electric shock.
- **Do not abuse the cord. Never use the cord for carrying, pulling or unplugging the power tool. Keep cord away from heat, oil, sharp edges or moving parts.** Damaged or entangled cords increase the risk of electric shock.
- **If operating a power tool in a damp location is unavoidable, use a residual current device (RCD) protected supply.** Use of an RCD reduces the risk of electric shock.
- **When operating a power tool outdoors, use an extension cord suitable for outdoor use.** Use of a cord suitable for outdoor use reduces the risk of electric shock.

NOTE: The term “residual current device (RCD)” may be replaced by the term “ground fault circuit interrupter (GFCI)” or “earth leakage circuit breaker (ELCB)”.

PERSONAL SAFETY

- **Stay alert, watch what you are doing and use common sense when operating a power tool. Do not use a power tool while you are tired or under the influence of drugs, alcohol or medication.** A moment of inattention while operating power tools may result in serious personal injury.
- **Use personal protective equipment. Always wear eye protection.** Protective equipment such as dust mask, non-skid safety shoes, hard hat, or hearing protection used for appropriate conditions will reduce personal injuries.
- **Prevent unintentional starting. Ensure the switch is in the off-position before connecting to power source and/or battery pack, picking up or carrying the tool.** Carrying power tools with your finger on the switch or energizing power tools that have the switch on invites accidents.
- **Remove any adjusting key or wrench before turning the power tool on.** A wrench or a key left attached to a rotating part of the power tool may result in personal injury.

RULES FOR SAFE OPERATION

- **Do not overreach. Keep proper footing and balance at all times.** This enables better control of the power tool in unexpected situations.
- **Dress properly. Do not wear loose clothing or jewellery. Keep your hair, clothing and gloves away from moving parts.** Loose clothes, jewellery or long hair can be caught in moving parts.
- **If devices are provided for the connection of dust extraction and collection facilities, ensure these are connected and properly used.** Use of dust collection can reduce dust-related hazards.

POWER TOOL USE AND CARE

- **Do not force the power tool. Use the correct power tool for your application.** The correct power tool will do the job better and safer at the rate for which it was designed.
- **Do not use the power tool if the switch does not turn it on and off.** Any power tool that cannot be controlled with the switch is dangerous and must be repaired.
- **Disconnect the plug from the power source and/or the battery pack from the power tool before making any adjustments, changing accessories, or storing power tools.** Such preventive safety measures reduce the risk of starting the power tool accidentally.
- **Store idle power tools out of the reach of children and do not allow persons unfamiliar with the power tool or these instructions to operate the power tool.** Power tools are dangerous in the hands of untrained users.
- **Maintain power tools. Check for misalignment or binding of moving parts, breakage of parts and any other condition that may affect the power tool's operation.** If damaged, have the power tool repaired before use. Many accidents are caused by poorly maintained power tools.
- **Keep cutting tools sharp and clean.** Properly maintained cutting tools with sharp cutting edges are less likely to bind and are easier to control.
- **Use the power tool, accessories and tool bits etc. in accordance with these instructions, taking into account the working conditions and the work to be performed.** Use of the power tool for operations different from those intended could result in a hazardous situation.

BATTERY TOOL USE AND CARE

- **Recharge only with the charger specified by the manufacturer.** A charger that is suitable for one type of battery pack may create a risk of fire when used with another battery pack.
- **Use power tools only with specifically designated battery packs.** Use of any other battery packs may create a risk of injury and fire.

- **When battery pack is not in use, keep it away from other metal objects, like paper clips, coins, keys, nails, screws or other small metal objects, that can make a connection from one terminal to another.** Shorting the battery terminals together may cause burns or a fire.
- **Under abusive conditions, liquid may be ejected from the battery; avoid contact. If contact accidentally occurs, flush with water. If liquid contacts eyes, additionally seek medical help.** Liquid ejected from the battery may cause irritation or burns.

SERVICE

- **Have your power tool serviced by a qualified repair person using only identical replacement parts.** This will ensure that the safety of the power tool is maintained.

READ ALL INSTRUCTIONS BEFORE OPERATING

- Read the instructions carefully. Be familiar with the controls and proper use of the unit.
- Do not operate this unit when tired, ill, or under the influence of alcohol, drugs, or medication.
- Inspect the unit before use. Replace damaged parts. Check for battery pack leaks.
- Do not operate this unit in explosive atmospheres, such as in the presence of flammable liquids, gases or dust.
- Make sure all fasteners and guards are in place and secure. Replace cutting blades or any other parts that are cracked, chipped, or damaged. Make sure the cutting blade is properly installed and securely fastened. Failure to do so can result in personal injury to the operator and bystanders, as well as damage to the unit.
- Use the right tool. Only use this grass shear / shrubber for the purpose intended.
- Do not use grass shear / shrubber if switch will not turn the unit on or off. A unit that cannot be controlled with the switch is dangerous and must be repaired.
- Clear the area to be cut before each use. Remove all objects such as cords, lights, wire, or string which can become entangled in the cutting blade.
- Clear the area of children, bystanders, and pets. At a minimum, keep all children, bystanders and pets outside a 15 m radius; there still may be a risk to bystanders from thrown objects. Bystanders should be encouraged to wear eye protection. If you are approached, stop the unit immediately.
- To avoid the risk of electric shock, do not operate unit in damp or wet locations.
- Do not handle the unit with wet hands.
- Do not allow children under the age of 15 or untrained individuals to use this grass shear / shrubber.

RULES FOR SAFE OPERATION

- To reduce the risk of injury, always wear full eye protection, footwear, goggles and clothing when using this machine.
- Wear a face or dust mask if the operation is dusty.
- Dress properly. Do not wear loose clothing or jewellery; they can be caught in moving parts. Use of rubber gloves, substantial footwear and long trousers is recommended when working outdoors.
- To prevent hair from being drawn into nearby air vents and becoming entangled in moving parts, wear protective hair covering to contain long hair or secure covered hair above shoulder level.
- When transporting or storing the machine always fit with blade cover.
- Always be aware of your surroundings and stay alert for possible hazards that you may not hear due to the noise of the machine.
- Form the habit of checking to see that keys and adjusting wrenches are removed from the tool before turning it on.
- Always ensure all the handles and guards are fitted when using the tool.
- Never attempt to use an incomplete machine or one fitted with an unauthorised modification.

WHILE OPERATING

- To avoid accidental starting, never carry your unit with your finger on the trigger.
- Stay alert and pay attention to what you are doing. Use common sense when using this grass shear / shrubber.
- Wear heavy, long pants, substantial footwear and well fitting gloves. Do not wear short pants, sandals or go barefoot.
- Do not operate in poor lighting. Use the unit only in daylight or good artificial light.
- Do not overreach or stand on unstable support. Keep good footing and balance at all times. Do not use on ladder.
- Do not force the grass shear / shrubber. It will do the job better and with less likelihood of a risk of injury at the rate for which it was designed.
- Release the trigger, allow the motor to stop, and remove the battery pack before performing maintenance, repair, or making adjustments.
- Use grass shears for cutting grass and light weeds only. Use shrubber for cutting hedges, bushes and shrubs only. Do not use for any other purpose.
- Before starting the unit, make sure the cutting blades will not come in contact with anything. If you strike or become entangled with foreign objects, stop the unit immediately, remove the battery pack and check for damage. Do not

operate before repairing damage. Do not operate the unit with loose or damaged parts.

- Watch what you are doing. Use common sense.
- Maintain grass shear / shrubber with care. Keep cutting edge sharp and clean for best performance and to reduce the risk of injury. Follow instructions for lubricating and changing accessories. Keep handles dry, clean, and free from oil and grease.
- Check damaged parts. Before further use of the grass shear / shrubber, a guard or other part that is damaged should be carefully checked to determine that it will operate properly and perform its intended function. Check for alignment of moving parts, binding of moving parts, breakage of parts, mounting, and any other condition that may affect its operation. A guard or other part that is damaged should be properly repaired or replaced by a Authorised Service Centre unless indicated elsewhere in this manual.
- Risk of cut. Keep hands away from blades. Do not attempt to remove cut material or hold material to be cut when blades are moving. Make sure battery pack is removed and the trigger is released when clearing jammed material from blades. Do not grasp the exposed cutting blades or cutting edges when picking up or holding the unit.



CAUTION:

Blades coast after unit is turned off.

- Keep hands, face, and feet at a safe distance from moving parts. Do not touch or try to stop the cutting blades when they are moving.
- Always stop the motor when cutting is delayed or when walking from one cutting location to another.
- Keep unit clean of grass clippings and other materials. They may become lodged in the cutting blades.
- Store the unit inside in a dry place, either locked up or up high to prevent unauthorised use or damage. Keep out of the reach of children or untrained individuals.
- Replace blade cover when unit is not in use.
- Never douse or squirt the unit with water or any other liquid. Keep handles dry, clean and free from debris. Clean after each use, see Storage instructions.
- Be sure to secure the unit while transporting.
- Keep these instructions. Refer to them often and use them to instruct other users. If you loan someone this unit, also loan them these instructions.

SERVICE

- Service on unit must be performed only by qualified repair personnel. Service or maintenance performed by unqualified personnel could result in a risk of injury to the user, or damage to the unit. It may also void your warranty.

RULES FOR SAFE OPERATION

- When servicing a unit, use only identical replacement parts. Follow instruction in the Maintenance section of this manual. Use of unauthorised parts or failure to follow Maintenance Instructions may create a risk of shock or serious injury to the user, or damage to the unit. It may also void your warranty.

BATTERY TOOL USE AND CARE

- Ensure the switch is in the off position before inserting battery pack. Inserting the battery pack into power tools that have the switch on invites accidents.
- Recharge only with the charger specified by the manufacturer. A charger that is suitable for one type of battery pack may create a risk of fire when used with another battery pack.
- Use power tools only with specifically designated battery packs. Use of any other battery packs may create a risk of injury and fire.
- When battery pack is not in use, keep it away from other metal object like paper clips, coins, keys, nails, screws, or other small metal objects that can make a connection from one terminal to another. Shorting the battery terminals together may cause burns or fire.
- Under abusive conditions, liquid may be ejected from the battery; avoid contact. If contact accidentally occurs, flush with water. If liquid contacts eyes, additionally seek medical help. Liquid ejected from the battery may cause irritation or burns.



WARNING:

If any parts are missing, do not operate unit until the missing parts are replaced. Failure to do so could result in possible serious personal injury.

SAVE THESE INSTRUCTIONS. REFER TO THEM FREQUENTLY AND USE THEM TO INSTRUCT OTHERS WHO MAY USE THIS UNIT. IF YOU LOAN SOMEONE THIS UNIT, LOAN THEM THESE INSTRUCTIONS ALSO.

PRODUCT SPECIFICATIONS

Motor	18V
No Load Speed.....	1200 min ⁻¹
Shrubber blade cutting length.....	200mm
Grass shear blade width.....	100mm
Weight with battery pack	
With grass shear blade	1.75Kg
With shrubber blade	2.1Kg
Battery pack (not included)	BPP-1817M /
.....	BPP-1815M / BPP-1817MG /
.....	ABP1801 / ABP1802 / BPL-1820 / BPL-1820G
Charger (not included)	BC-1800 /
.....	BC-1800M / BC-1815S / BC-1815SMG /
.....	ACR1800 / BCL-1800 / BCL-1800G

FEATURES

Fig. 1

- A. REAR HANDLE
- B. TRIGGER LOCK BUTTON
- C. TRIGGER
- D. SHRUBBER BLADE
- E. SHRUBBER BLADE SHEATH
- F. GRASS SHEAR BLADE SHEATH
- G. GRASS SHEAR BLADE

Fig. 2

- A. BATTERY PACK
- B. COVER

Fig. 3

- A. TRIGGER LOCK BUTTON
- B. TRIGGER

Fig. 5

- A. SHRUBBER BLADE
- B. GRASS SHEAR BLADE
- C. BLADE SECURING KNOB
- D. BLADE POST

OPERATION

INSTALLING THE BATTERY PACK (NOT INCLUDED)

- Place the battery pack in the grass shear / shrubber. Align raised rib on battery pack with groove in grass shear / shrubber. *See Figure 2.*
- Make sure the latches on the battery pack snap in place and that battery pack is secured in grass shear / shrubber before beginning operation.

REMOVING THE BATTERY PACK (NOT INCLUDED)

- Locate latches of battery pack and depress to release the battery pack from the grass shear / shrubber. *See Figure 2.*
- Remove battery pack from the grass shear / shrubber.



CAUTION

When placing battery pack in your grass shear / shrubber, be sure raised rib on battery pack aligns with groove in grass shear / shrubber and latches snap in place properly. Improper assembly of battery pack can cause damage to internal components.

STARTING THE GRASS SHEAR / SHRUBBER

- Remove the blade cover.
- Press and hold the trigger lock button. *See Fig. 3.*
- Release the trigger lock button and continue to squeeze the trigger for extended operation.

STOPPING THE GRASS SHEAR / SHRUBBER

- Release the trigger to stop the grass shear / shrubber.
- Upon release of the trigger, the trigger lock button will be automatically reset to the lock position.

OPERATING TIPS

- Before starting your grass shear / shrubber, hold the unit with the cutting blades directed away from you. Always use the unit properly.
- Keep from trimming too close to dirt, sand or gravel. This can cause the blades to dull, reducing the cutting efficiency.
- Do not force the unit through dense growth. If the blades slow down, reduce your pace.
If blades do become jammed, stop the motor, allow the blades to stop and remove the battery pack before attempting to remove the obstruction.

OPERATION

HOLDING THE GRASS SHEAR / SHRUBBER



WARNING:

Dress properly to reduce the risk of injury when operating this unit. Do not wear loose clothing or jewelry. Always wear eye protection when in use. Wear heavy, long pants, boots and well fitting gloves. Do not wear short pants, sandals or go barefoot.

- Hold the unit by the rear handle with the blade directed away from you. *See Figure 4.*

USING THE GRASS SHEAR

- Use the grass shear for decorative trimming of grass around trees, walkways, flower beds, etc.
With the blade parallel to the ground, start unit and trim grass in a forward motion. *See Figure 4.*



DANGER

If blade jams on any electrical cord or line, DO NOT TOUCH THE BLADE! IT CAN BECOME ELECTRICALLY LIVE AND VERY DANGEROUS.

Continue to hold the grass shear / shrubber by the insulated rear handle or lay it down and away from you in a safe manner. Disconnect the electrical service to the damaged line or cord before attempting to free the blade from the line or cord. Failure to heed this warning will result in serious personal injury or possible death.



WARNING

Clear the area to be cut before each use. Re-move all objects such as cords, lights, wire, or string which can become entangled in the cutting blade and create a risk of serious personal injury.



WARNING

Avoid using solvents when cleaning plastic parts. Most plastics are susceptible to damage from various Types of commercial solvents and may be damaged by their use. Use a clean cloth to remove dirt, oil, grease, etc. When servicing use only identical Ryobi replacement parts. Use of any other parts can create a hazard or cause product damage.



CAUTION

Do not at any time let brake fluids, gasoline, petroleum based products, penetrating oils, etc., come in contact with plastic parts. They contain chemicals that may damage, weaken, or destroy plastics.

MAINTENANCE AND REPAIR

BLADE CARE

- Lubricate the cutting blades after each use.
- Periodically inspect the blades for damage and wear.
- Always use the manufacturer's specified replacement blades.

TO LUBRICATE BLADE

- Remove battery pack from unit.
- For easier operation and longer blade life, lubricate the shrubber blade before and after each use. Before lubricating, remove the battery pack and lay shrubber blade on a flat surface. Apply light weight machine oil along the edge of the top blade.
- Occasionally, you should oil your shrubber blade during use. Before oiling, stop the unit, remove battery pack, then oil. You then can resume trimming. Do not oil while shrubber blade is running.

GRASS SHEAR / SHRUBBER LUBRICATION

All of the gear system in this tool are lubricated with a sufficient amount of high-grade lubricant for the life of the unit under normal operating procedures.

Therefore, no further lubrication is required.



WARNING

Do not attempt to modify this unit or create or mount any accessory not specifically recommended in this manual for use with this unit. Any such alteration or modification is misuse and could result in a hazardous condition leading to possible serious personal injury.



WARNING

Examine shrubber blade frequently to assure all parts are unbroken and securely attached. Make sure all screws and fasteners are securely tightened to prevent the risk of serious personal injury.

CLEANING THE GRASS SHEAR / SHRUBBER

- Remove the battery pack.



WARNING

To prevent serious personal injury, remove the battery pack before servicing, cleaning, or removing material from the unit.

- Clean the unit using a damp cloth with a mild detergent.

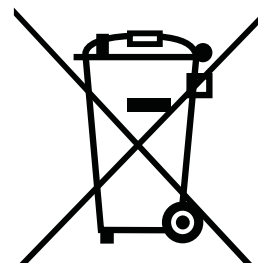
MAINTENANCE AND REPAIR

- Do not use any strong detergents on the plastic housing or the handle. They can be damaged by certain aromatic oils such as pine and lemon, and by solvents such as kerosene.
- Moisture can cause a shock hazard. Wipe off any moisture with a soft dry cloth.
- Use a small brush or the air discharge of a small vacuum cleaner brush to clean the air vents on the battery pack housing and motor housing.
- Keep the air vents free of obstructions.

STORING THE GRASS SHEAR / SHRUBBER

- Clean the unit thoroughly before storing. Store the cutting blade in a dry, well-ventilated place that is inaccessible to children. Keep away from corrosive agents such as garden chemicals and de-icing salts.
- Always place blade cover on cutting blades before storing.
- Store and charge your batteries in a cool area. Temperatures above or below normal room temperature will shorten battery pack life.
- Never store batteries in a discharged condition. Wait for battery pack to cool and charge immediately.
- All batteries gradually lose their charge. The higher the temperature, the quicker they lose their charge. If you store your unit for long periods of time without using it, recharge the batteries every month or two. This practice will prolong battery pack life.

DISPOSAL



Waste electrical products should not be disposed of together with household waste. Please recycle where facilities exist. Check with your local authority or retailer for recycling advice.

LIMITED WARRANTY

TTI warrants this outdoor product to be free of defects in material and workmanship for 24 months from the date of purchase by the original purchaser, subject to the limitations below. Please keep your invoice as proof of date of purchase.

This warranty is only applicable where the product is used for personal and non-commercial purposes. This warranty does not cover damage or liability caused by / due to misuse, abuse, accidental or intentional acts by user, improper handling, unreasonable use, negligence, failure by end user to follow operating procedures outlined in the user's manual, attempted repair by non-qualified professional, unauthorized repair, modification, or use of accessories and/or attachments not specifically recommended by authorized party. Please see your local dealer for list of authorized service centers in your area.

This warranty does not cover belts, brushes, bags, bulbs or any part which ordinary wear and tear results in required replacement during warranty period. This warranty does not cover transportation cost or consumable items such as fuses and batteries.

This limited warranty is void if the product's original identification (trade mark, serial number, etc.) markings have been defaced, altered or removed or if product is not purchased from an authorized reseller or if product is sold AS IS and / or WITH ALL FAULTS.

Where permitted, the provisions of this limited warranty are in lieu of any other written warranty, whether express or implied, written or oral, including any warranty of MERCHANTABILITY OR FITNESS FOR A PARTICULAR PURPOSE. IN NO EVENT SHALL WE BE LIABLE FOR SPECIAL, INCIDENTAL, CONSEQUENTIAL OR INCIDENTAL DAMAGES. OUR MAXIMUM LIABILITY SHALL NOT EXCEED THE ACTUAL PURCHASE PRICE PAID BY YOU FOR THE PRODUCT.

This warranty is applicable only in the European Union, Australia, and New Zealand. Outside these areas, please contact your authorized Ryobi dealer to determine if another warranty applies.

18V

Sound pressure level:	LpA=68dB(A), KpA=3 dB(A)
Sound power level:	LwA=88dB(A), KwA=3 dB(A)
Weighted root mean square acceleration value:	2.3m/s ² , K=1.5 m/s ²

Date of Issuance

Issued by

DECLARATION OF CONFORMITY

We declare under our sole responsibility that this product is in conformity with the following standards or standardized documents.

98/37/EC, 89/336/EEC, 2000/14/EC GUARANTEE

Technical documents are kept by Homelite Far East Co., Ltd. 24/F, 388 Castle Peak Road, Tsuen Wan, N.T., Hong Kong.

Declared in 12/2007 by Homelite Far East Co., Ltd.

RYOBI TECHNOLOGIES (UK) LIMITED.
Medina House,
Fieldhouse Lane, Marlow,
Buckinghamshire,
SL7 1TB,
UNITED KINGDOM
Tel: + 44 (0)1628 894400
Fax: +44 (0)1628 894401
Technical helpline: +44 (0) 800 3890305

RYOBI TECHNOLOGIES SAS
Immeuble Le Grand Roissy
Z.A. du Gué - 35 rue de Guivry
77990 LE MESNILAMELOT FRANCE
Phone: + 33 (0)1 60 94 69 70
Fax: + 33 (0)1 60 94 69 79

RYOBI BELGIUM
Avenue des Pâquerettes, 55
Zoning artisanal - bâtiment 5
B - 1410 Waterloo
BELGIQUE
Tel : + 32 (0) 2 357 81 40
Fax : + 32 (0) 2 357 81 49

RYOBI ITALIA
Via Vincenzo Borelli, 13
I - 41100 Modena
ITALIA
Tel : + 39 (0) 59 23 84 08
Fax : + 39 (0) 59 24 69 60

RYOBI IBÉRICA
Avenida de la Industria 52
28820 Coslada - Madrid
ESPANA
Tel : + 34 (0) 91 627 93 26
Fax : + 34 (0) 91 627 93 29

TECHTRONIC INDUSTRIES (ASIA) CO. LTD.
24/F, CDW Building,
388 Castle Peak Road,
Tsuen Wan, Hong Kong.
Tel : + 852 2402 6888

RYOBI TECHNOLOGIES GMBH
Itterpark 4
D-40724 Hilden
DEUTSCHLAND
Tel: + 49 (0) 2103 2958-0
Fax: + 49 (0) 2103 2958-29

RYOBI TECHNOLOGIES GMBH
Vertriebsbüro Österreich
Schinitzgasse 13
A-8605 Kapfenberg
Tel.: + 43 (0) 3862 23590-0
Fax: + 43 (0) 3862 23590-25

TECHTRONIC INDUSTRIES AUSTRALIA PTY
LIMITED.
Building B, Rosehill Industrial Estate,
3 Shirley Street,
Rosehill NSW 2142
AUSTRALIA
Tel: (02) 8892 1800 or 1300 361 505
Fax: 1800 807 993

TECHTRONIC INDUSTRIES (NZ) LIMITED.
27 Clemow Drive, Mt Wellington
PO Box 12-806, Penrose, Auckland
NEW ZEALAND
Tel: + 64 (0) 9 573 0230 Free Call: +64 0800 279
624
Fax: + 64 (0) 9 573 0231

A&M MIDDLE EAST FZCO
P.O.Box 61254
Jedel Ali, Dubai,
UNITED ARAB EMIRATES
Tel.: + 971 4 8861399
Fax: + 971 4 8861400

Machine: **CORDLESS GRASS SHEAR/SHRUBBER**

Type: **OGS1820**

Name of company: Homelite Far East Co., Ltd.
Address: 24/F, CDW Building,
388 Castle Peak Road,
Tsuen Wan Hong Kong.

Name / title: Andrew Eyre
Vice President, Engineering

Signature: 