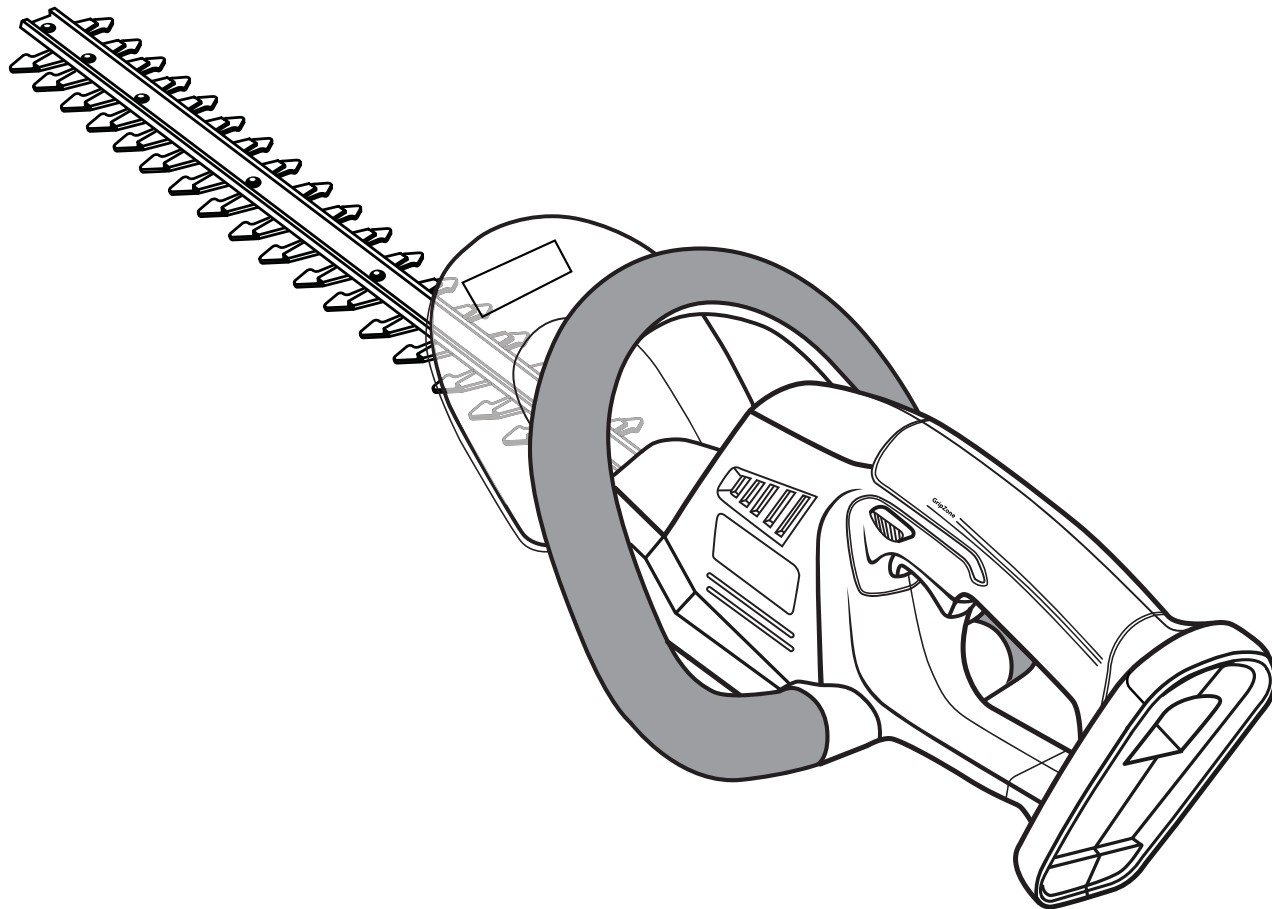




OHT1850

**CORDLESS HEDGE TRIMMER
OPERATOR'S MANUAL**



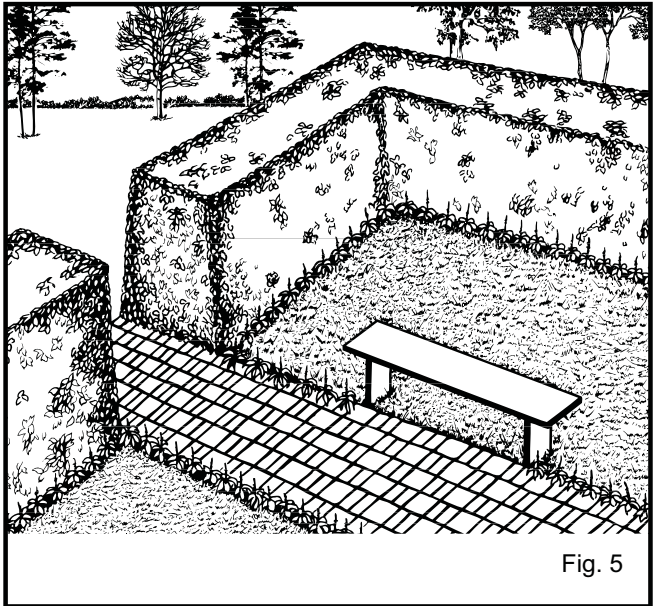
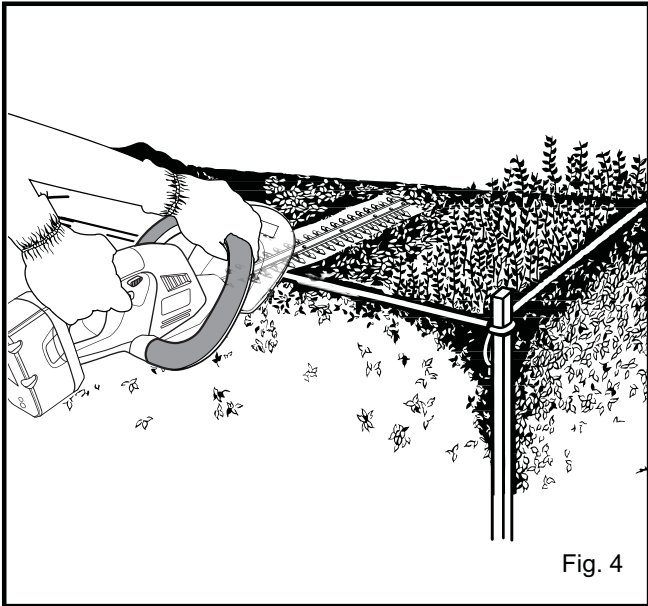
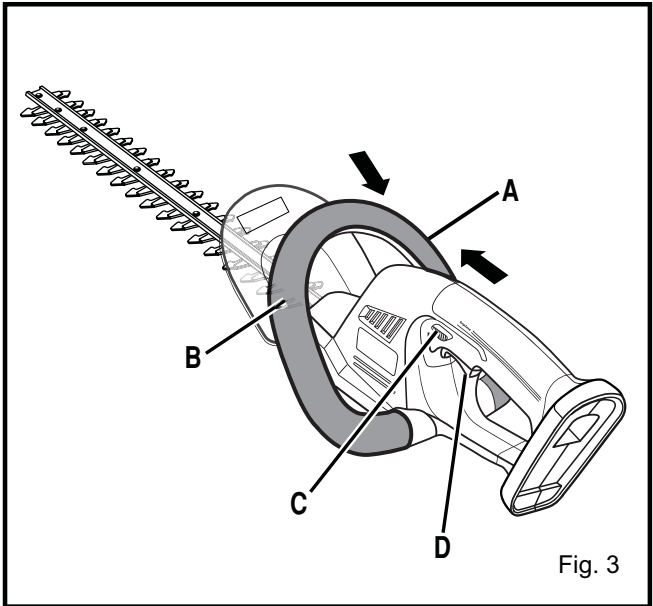
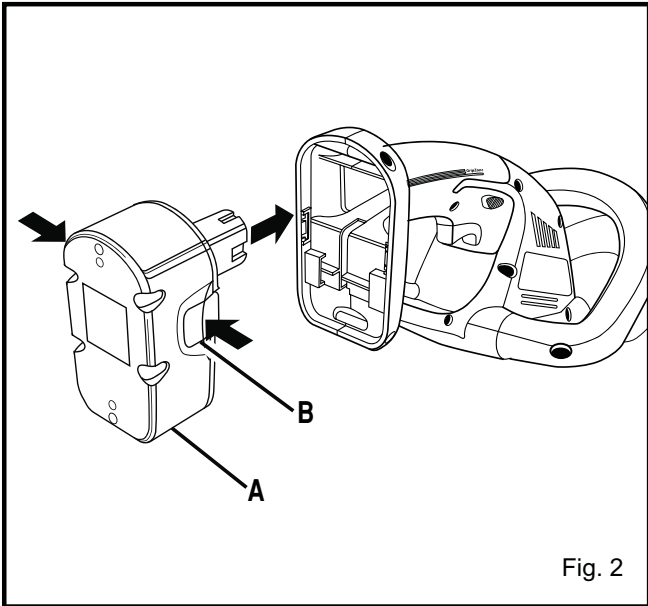
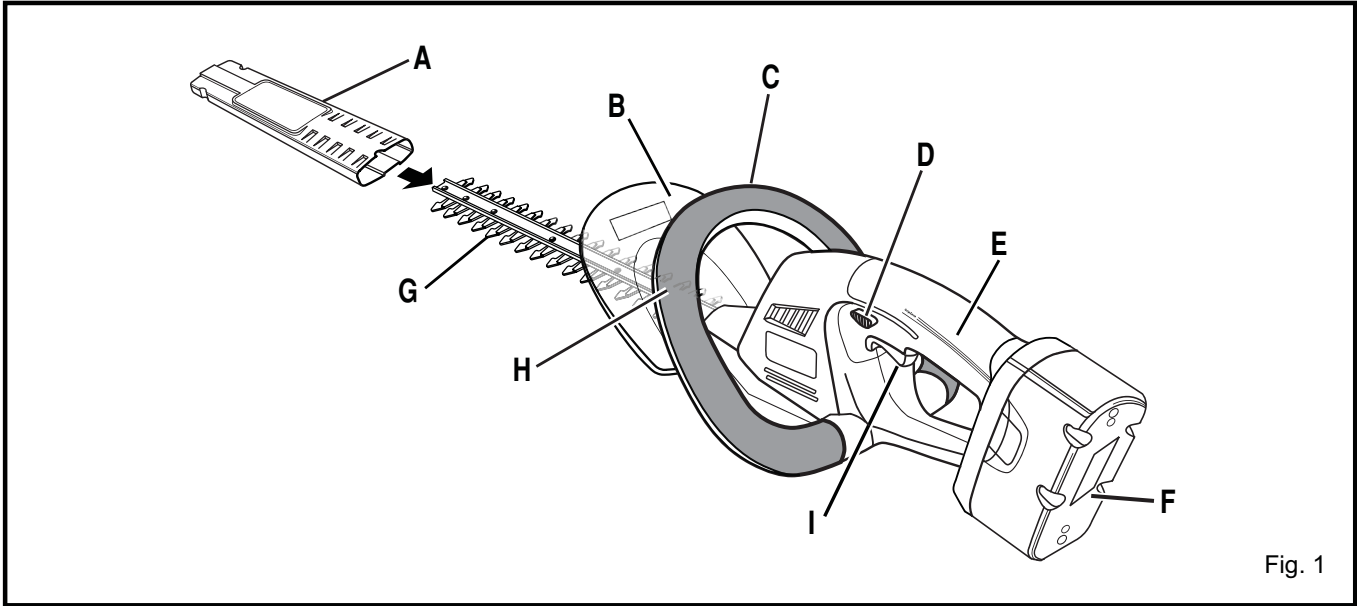
BATTERIES AND CHARGERS SOLD SEPARATELY

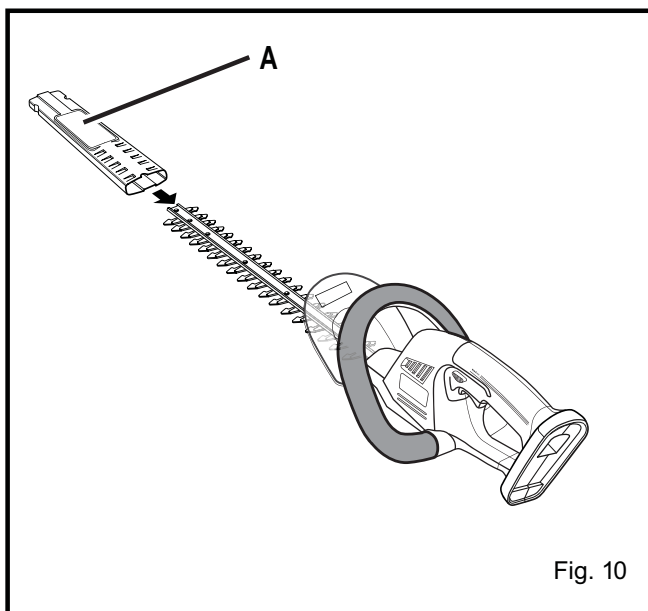
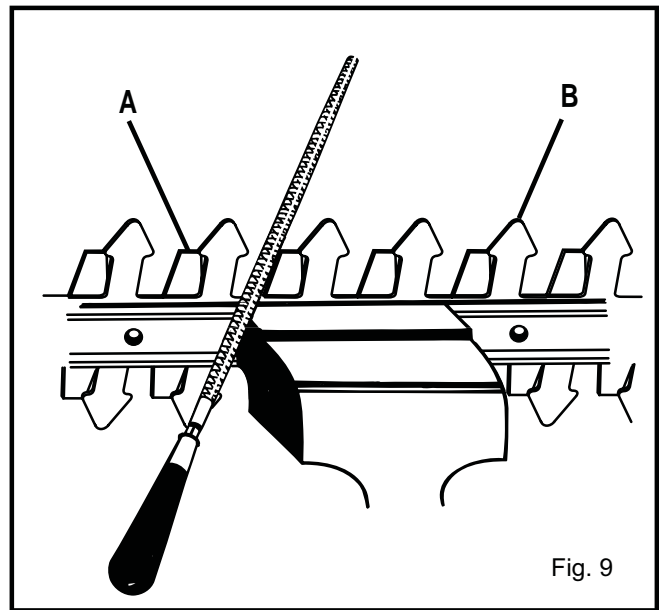
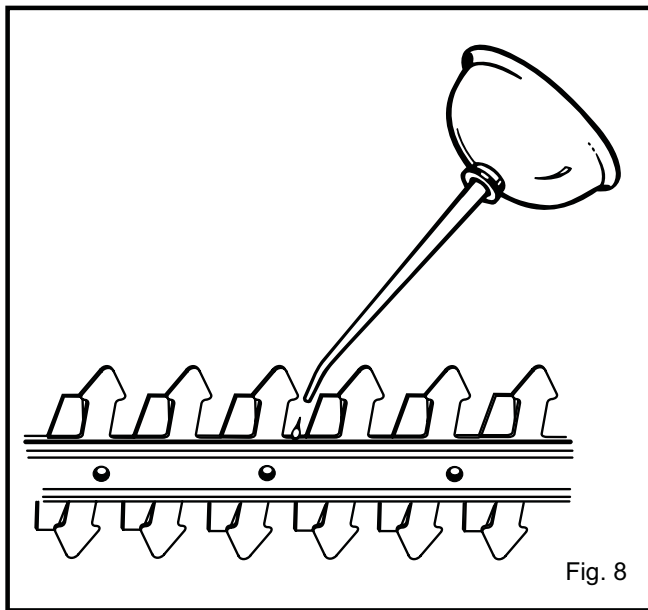
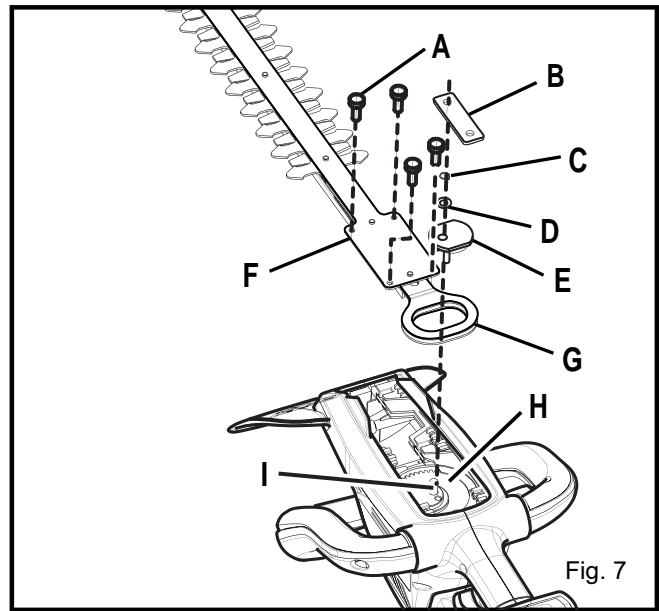
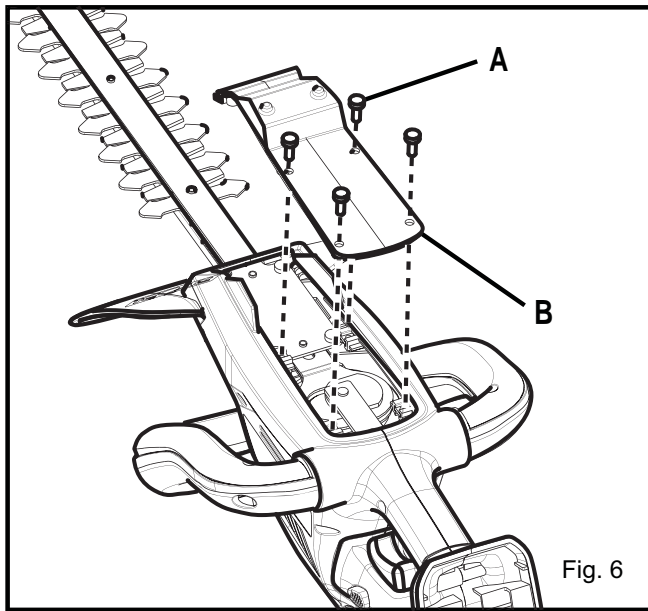


Important!

It is essential that you read the instructions in this manual before mounting and operating this machine.

Subject to technical modifications.





RULES FOR SAFE OPERATION



WARNING:

The tools should be operated with the ONE+ battery pack.

When using battery operated tools basic safety precaution should always be followed to reduce

the risk of fire, leaking batteries and personal injury, including the following.



Read the operation manual and follow all warnings and safety instructions.



Wear eye protection and ear protection.



Do not use this machine in wet weather conditions!



Wear protective clothing and boots



Wear non-slip, heavy duty gloves.



Keep all bystanders at least 15m away.

GENERAL POWER TOOL SAFETY WARNINGS



WARNING:

Read all safety warnings and all instructions. Failure to follow the warnings and instructions may result in electric shock, fire and/or serious injury.

- **Save all warnings and instructions for future reference.**

The term “power tool” in the warnings refers to your mains-operated (corded) power tool or battery-operated (cordless) power tool.

WORK AREA SAFETY

- **Keep work area clean and well lit.** Cluttered or dark areas invite accidents.
- **Do not operate power tools in explosive atmospheres, such as in the presence of flammable liquids, gases or dust.** Power tools create sparks which may ignite the dust or fumes.
- **Keep children and bystanders away while operating a power tool.** Distractions can cause you to lose control.

ELECTRICAL SAFETY

- **Power tool plugs must match the outlet. Never modify the plug in any way. Do not use any adapter plugs with earthed (grounded) power tools.** Unmodified plugs and matching outlets will reduce risk of electric shock.
- **Avoid body contact with earthed or grounded surfaces, such as pipes, radiators, ranges and refrigerators.** There is an increased risk of electric shock if your body is earthed or grounded.
- **Do not expose power tools to rain or wet conditions.** Water entering a power tool will increase the risk of electric shock.
- **Do not abuse the cord. Never use the cord for carrying, pulling or unplugging the power tool. Keep cord away from heat, oil, sharp edges or moving parts.** Damaged or entangled cords increase the risk of electric shock.
- **When operating a power tool outdoors, use an extension cord suitable for outdoor use.** Use of a cord suitable for outdoor use reduces the risk of electric shock.
- **If operating a power tool in a damp location is unavoidable, use a residual current device (RCD) protected supply.** Use of an RCD reduces the risk of electric shock.

NOTE: The term “residual current device (RCD)” may be replaced by the term “ground fault circuit interrupter (GFCI)” or “earth leakage circuit breaker (ELCB)”.

PERSONAL SAFETY

- **Stay alert, watch what you are doing and use common sense when operating a power tool. Do not use a power tool while you are tired or under the influence of drugs, alcohol or medication.** A moment of inattention while operating power tools may result in serious personal injury.
- **Use personal protective equipment. Always wear eye protection.** Protective equipment such as dust mask, non-skid safety shoes, hard hat, or hearing protection used for appropriate conditions will reduce personal injuries.
- **Prevent unintentional starting. Ensure the switch is in the off-position before connecting to power source and/or battery pack, picking up or carrying the tool.** Carrying power tools with your finger on the switch or energizing power tools that have the switch on invites accidents.
- **Remove any adjusting key or wrench before turning the power tool on.** A wrench or a key left attached to a rotating part of the power tool may result in personal injury.
- **Do not overreach. Keep proper footing and balance at all times.** This enables better control of the power tool in unexpected situations.
- **Dress properly. Do not wear loose clothing or jewellery. Keep your hair, clothing and gloves away from moving parts.** Loose clothes, jewellery or long hair can be caught in moving parts.

RULES FOR SAFE OPERATION

- If devices are provided for the connection of dust extraction and collection facilities, ensure these are connected and properly used. Use of dust collection can reduce dust-related hazards.

POWER TOOL USE AND CARE

- Do not force the power tool. Use the correct power tool for your application. The correct power tool will do the job better and safer at the rate for which it was designed.
- Do not use the power tool if the switch does not turn it on and off. Any power tool that cannot be controlled with the switch is dangerous and must be repaired.
- Disconnect the plug from the power source and/or the battery pack from the power tool before making any adjustments, changing accessories, or storing power tools. Such preventive safety measures reduce the risk of starting the power tool accidentally.
- Store idle power tools out of the reach of children and do not allow persons unfamiliar with the power tool or these instructions to operate the power tool. Power tools are dangerous in the hands of untrained users.
- Maintain power tools. Check for misalignment or binding of moving parts, breakage of parts and any other condition that may affect the power tool's operation. If damaged, have the power tool repaired before use. Many accidents are caused by poorly maintained power tools.
- Keep cutting tools sharp and clean. Properly maintained cutting tools with sharp cutting edges are less likely to bind and are easier to control.
- Use the power tool, accessories and tool bits etc. in accordance with these instructions, taking into account the working conditions and the work to be performed. Use of the power tool for operations different from those intended could result in a hazardous situation.

SERVICE

- Have your power tool serviced by a qualified repair person using only identical replacement parts. This will ensure that the safety of the power tool is maintained.

HEDGE TRIMMER SAFETY WARNINGS

- Keep all parts of the body away from the cutter blade. Do not remove cut material or hold material to be cut when blades are moving. Make sure the switch is off when clearing jammed material. A moment of inattention while operating the hedge trimmer may result in serious personal injury.
- Carry the hedge trimmer by the handle with the cutter blade stopped. When transporting or storing the hedge trimmer always fit the cutting device cover.

Proper handling of the hedge trimmer will reduce possible personal injury from the cutter blades.

- **Keep cable away from cutting area.** During operation the cable may be hidden in shrubs and can be accidentally cut by the blade.

ADDITION

- Advice to check the hedge for foreign objects, e.g. wire fences
- Recommendation for the use of a residual current device with a tripping current of 30mA or less.
- Instruction to hold the hedge trimmer properly, e.g. with both hands if two handles are provided.

READ ALL INSTRUCTIONS BEFORE OPERATING

- Read the instructions carefully. Be familiar with the controls and proper use of the unit.
- Do not operate this unit when tired, ill, or under the influence of alcohol, drugs, or medication.
- Inspect the unit before use. Replace damaged parts. Check for battery pack leaks.
- Make sure all fasteners and guards are in place and secure. Replace cutting blades or any other parts that are cracked, chipped, or damaged. Make sure the cutting blade is properly installed and securely fastened. Failure to do so can result in personal injury to the operator and bystanders, as well as damage to the unit.
- Use the right tool. Only use this hedge trimmer for the purpose intended.
- Do not use hedge trimmer if switch will not turn the unit on or off. A unit that cannot be controlled with the switch is dangerous and must be repaired.
- Clear the area to be cut before each use. Remove all objects such as cords, lights, wire, or string which can become entangled in the cutting blade.
- Clear the area of children, bystanders, and pets. At a minimum, keep all children, bystanders and pets outside a 15 m radius; there still may be a risk to bystanders from thrown objects. Bystanders should be encouraged to wear eye protection. If you are approached, stop the unit immediately.
- Do not operate power tools in explosive atmospheres, such as in the presence of flammable liquids, gases or dust. Power tools create sparks which may ignite the dust or fumes.
- To avoid the risk of electric shock, do not operate unit in damp or wet locations.
- Do not handle the unit with wet hands.
- Do not allow children under the age of 15 or untrained individuals to use this hedge trimmer.
- To reduce the risk of injury, always wear full eye protection, footwear, goggles and clothing when using this machine.

RULES FOR SAFE OPERATION

- Wear a face or dust mask if the operation is dusty.
- Dress properly. Do not wear loose clothing or jewellery; they can be caught in moving parts. Use of rubber gloves, substantial footwear and long trousers is recommended when working outdoors.
- To prevent hair from being drawn into nearby air vents and becoming entangled in moving parts, wear protective hair covering to contain long hair or secure covered hair above shoulder level.
- When transporting or storing the machine always fit with blade cover.
- Always be aware of your surroundings and stay alert for possible hazards that you may not hear due to the noise of the machine.
- Form the habit of checking to see that keys and adjusting wrenches are removed from the tool before turning it on.
- Always ensure all the handles and guards are fitted when using the tool.
- Never attempt to use an incomplete machine or one fitted with an unauthorised modification.

WHILE OPERATING

- Do not use trimmer without front handle in place. Keep both hands on handles when unit is in use.
- To avoid accidental starting, never carry your unit with your finger on the trigger.
- Stay alert and pay attention to what you are doing. Use common sense when using this hedge trimmer.
- Wear heavy, long pants, substantial footwear and well fitting gloves. Do not wear short pants, sandals or go barefoot.
- Do not operate in poor lighting. Use the unit only in daylight or good artificial light.
- Do not overreach or stand on unstable support. Keep good footing and balance at all times. Do not use on ladder.
- Do not force the hedge trimmer. It will do the job better and with less likelihood of a risk of injury at the rate for which it was designed.
- Release the trigger, allow the motor to stop, and remove the battery pack before performing maintenance, repair, or making adjustments.
- This hedge trimmer is to be used for cutting hedges, bushes, and shrubs only. Do not use for any other purpose.
- Before starting the unit, make sure the cutting blades will not come in contact with anything. If you strike or become entangled with foreign objects, stop the unit immediately, remove the battery pack and check for damage. Do not

operate before repairing damage. Do not operate the unit with loose or damaged parts.

- Watch what you are doing. Use common sense.
- Maintain hedge trimmer with care. Keep cutting edge sharp and clean for best performance and to reduce the risk of injury. Follow instructions for lubricating and changing accessories. Keep handles dry, clean, and free from oil and grease.
- Check damaged parts. Before further use of the hedge trimmer, a guard or other part that is damaged should be carefully checked to determine that it will operate properly and perform its intended function. Check for alignment of moving parts, binding of moving parts, breakage of parts, mounting, and any other condition that may affect its operation. A guard or other part that is damaged should be properly repaired or replaced by a Authorised Service Centre unless indicated elsewhere in this manual.
- Risk of cut. Keep hands away from blades. Do not attempt to remove cut material or hold material to be cut when blades are moving. Make sure battery pack is removed and the trigger is released when clearing jammed material from blades. Do not grasp the exposed cutting blades or cutting edges when picking up or holding the unit.



CAUTION:

Blades coast after unit is turned off.

- Keep hands, face, and feet at a safe distance from moving parts. Do not touch or try to stop the cutting blades when they are moving.
- Always stop the motor when cutting is delayed or when walking from one cutting location to another.
- Keep unit clean of grass clippings and other materials. They may become lodged in the cutting blades.
- Store the unit inside in a dry place, either locked up or up high to prevent unauthorised use or damage. Keep out of the reach of children or untrained individuals.
- Replace blade cover when unit is not in use.
- Never douse or squirt the unit with water or any other liquid. Keep handles dry, clean and free from debris. Clean after each use, see Storage instructions.
- Be sure to secure the unit while transporting.
- Keep these instructions. Refer to them often and use them to instruct other users. If you loan someone this unit, also loan them these instructions.

SERVICE

- Service on unit must be performed only by qualified repair personnel. Service or maintenance performed by unqualified personnel could result in a risk of injury to the user, or damage to the unit. It may also void your warranty.

ENGLISH

RULES FOR SAFE OPERATION

- When servicing a unit, use only identical replacement parts. Follow instruction in the Maintenance section of this manual. Use of unauthorised parts or failure to follow Maintenance Instructions may create a risk of shock or serious injury to the user, or damage to the unit. It may also void your warranty.
- When replacing the blade the whole blade assembly should be changed.

BATTERY TOOL USE AND CARE

- Ensure the switch is in the off position before inserting battery pack. Inserting the battery pack into power tools that have the switch on invites accidents.
- Recharge only with the charger specified by the manufacturer. A charger that is suitable for one type of battery pack may create a risk of fire when used with another battery pack.
- Use power tools only with specifically designated battery packs. Use of any other battery packs may create a risk of injury and fire.
- When battery pack is not in use, keep it away from other metal object like paper clips, coins, keys, nails, screws, or other small metal objects that can make a connection from one terminal to another. Shorting the battery terminals together may cause burns or fire.
- Under abusive conditions, liquid may be ejected from the battery; avoid contact. If contact accidentally occurs, flush with water. If liquid contacts eyes, additionally seek medical help. Liquid ejected from the battery may cause irritation or burns.
- Disconnect the plug from the power source and/or the battery pack from the power tool before making any adjustments, changing accessories, or storing power tools. Such preventive safety measures reduce the risk of starting the power tool accidentally.



WARNING:

If any parts are missing, do not operate unit until the missing parts are replaced. Failure to do so could result in possible serious personal injury.

SAVE THESE INSTRUCTIONS. REFER TO THEM FREQUENTLY AND USE THEM TO INSTRUCT OTHERS WHO MAY USE THIS UNIT. IF YOU LOAN SOMEONE THIS UNIT, LOAN THEM THESE INSTRUCTIONS ALSO.

PRODUCT SPECIFICATIONS

Motor	18V
No Load Speed.....	1200 min ⁻¹
Blade Length	457 mm
Cutting Capacity	10 mm
Weight With Battery Pack.....	3,2 kg
Battery pack (not included)	BPP-1817M /
.....	BPP-1815M / BPP-1817MG /
.....	ABP1801 / ABP1802 / BPL-1820 / BPL-1820G
Charger (not included)	BC-1800 /
.....	BC-1800M / BC-1815S / BC-1815SMG /
.....	ACR1800 / BCL-1800 / BCL-1800G

FEATURES

Fig. 1

- A. BLADE COVER
- B. GUARD
- C. FRONT HANDLE
- D. TRIGGER LOCK BUTTON
- E. REAR HANDLE
- F. BATTERY PACK (Not Included)
- G. BLADE
- H. SENSOR SWITCH
- I. TRIGGER

Fig. 2

- A. BATTERY PACK (Not Included)
- B. LATCHES

Fig. 3

- A. FRONT HANDLE
- B. SENSOR SWITCH
- C. TRIGGER LOCK BUTTON
- D. TRIGGER

Fig. 6

- A. BLADE COVER SCREWS
- B. BLADE COVER

Fig. 7

- A. BLADE SCREWS
- B. BAR PLATE
- C. RETAINING RING
- D. WASHER
- E. RETAINING PLATE
- F. CUTTER BLADE ASSEMBLY

FEATURES

- G. YOKES
- H. CAMS
- I. PINS

Fig. 9

- A. CUTTER BLADE
- B. GUARD

Fig. 10

- A. BLADE COVER

OPERATION

INSTALLING THE BATTERY PACK (NOT INCLUDED)

- Place the battery pack in the hedge trimmer. Align raised rib on battery pack with groove in hedge trimmer. See Figure 2.
- Make sure the latches on the battery pack snap in place and that battery pack is secured in hedge trimmer before beginning operation.

REMOVING THE BATTERY PACK (NOT INCLUDED)

- Locate latches of battery pack and depress to release the battery pack from the hedge trimmer. See Figure 2.
- Remove battery pack from the hedge trimmer.

 **CAUTION**

When placing battery pack in your hedge trimmer, be sure raised rib on battery pack aligns with groove in hedge trimmer and latches snap in place properly. Improper assembly of battery pack can cause damage to internal components.

STARTING THE HEDGE TRIMMER

- Remove the blade cover.
- For added safety, there is a sensor switch in the upper handle. See Fig. 3 . When operating, hold the trimmer with both hands, one hand to push the trigger lock button forward, and the other hand to squeeze the front handle.
- Release the trigger lock button and continue to squeeze the trigger for extended operation.

STOPPING THE HEDGE TRIMMER

- Release the trigger to stop the hedge trimmer.

- Upon release of the trigger, the trigger lock button will be automatically reset to the lock position.

OPERATING TIPS

- Do not force the hedge trimmer through heavy shrubbery. This can cause the blades to bind and slow down. If the blades slow down, reduce the pace.
- Do not try to cut stems or twigs that are larger than 10 mm thick, or those obviously too large to feed into the cutting blade. Use a non-powered hand saw or pruning saw to trim large stems.
- If desired, you can use a string to help cut your hedge level. Decide how high you want the hedge. Then, stretch a piece of string along the hedge at this height. Trim the hedge just above this guide line of string. See Figure 4. Trim the side of a hedge so that it will be slightly narrower at the top. See Figure 5. More of the hedge will be exposed when shaped this way, and it will be more uniform. If blades do become jammed, stop the motor, allow the blades to stop and remove the battery pack before attempting to remove the obstruction.
- Wear gloves when trimming thorny or prickly growth. When trimming new growth, use a wide sweeping action, so that the stems are fed directly into the cutting blade. Older growth will have thicker stems and will be trimmed easiest by using a sawing movement.

 **DANGER**

If blade jams on any electrical cord or line, **DO NOT TOUCH THE BLADE! IT CAN BECOME ELECTRICALLY LIVE AND VERY DANGEROUS.**

Continue to hold the hedge trimmer by the insulated rear handle or lay it down and away from you in a safe manner. Disconnect the electrical service to the damaged line or cord before attempting to free the blade from the line or cord. Failure to heed this warning will result in serious personal injury or possible death.

 **WARNING**

Clear the area to be cut before each use. Remove all objects such as cords, lights, wire, or string which can become entangled in the cutting blade and create a risk of serious personal injury.

 **WARNING**

Avoid using solvents when cleaning plastic parts. Most plastics are susceptible to damage from various Types of commercial solvents and may be damaged by their use. Use a clean cloth to remove dirt, oil,

OPERATION

grease, etc. When servicing use only identical Ryobi replacement parts. Use of any other parts can create a hazard or cause product damage.



CAUTION

Do not at any time let brake fluids, gasoline, petroleum based products, penetrating oils, etc., come in contact with plastic parts. They contain chemicals that may damage, weaken, or destroy plastics.

MAINTENANCE AND REPAIR

REPLACING BLADES



WARNING

Blades are sharp. When handling blade assembly, do not place your hand or fingers between blades or in any position where they could get pinched or cut. NEVER touch blades or service unit with battery pack installed.

REMOVING THE BLADE (Fig. 6 & 7)

- Remove battery pack from hedge trimmer.
- Place hedge trimmer upside down on a workbench and remove four (4) blade cover screws.
- Remove blade cover. See Figure 6.
- Remove bar plate from the two pins. See Figure 7.
- Remove retaining ring, washer and retaining plate. See Figure 7.
- Align the cams.

NOTE: The yokes can not be lifted unless it clears the lip of the cams.

- Remove the four (4) blade screws.
- Each blade has an oval yoke attached at one end. Slide the blades into position so the yokes align. Remove the blade from the housing.

INSTALLING THE BLADE (Fig. 6 & 7)

- Align the cams.
- Place new blade on housing and align yokes to drop into place. Rotate the blade so that it drops past the lower cam.
NOTE: When properly aligned, the blade assembly fits in recessed slot in motor housing.
- Re-Install the four (4) blade screws and tighten securely.

- Re-Install retaining plate, washer and retaining ring.
- Re-Install the bar plate over the two pins.
- Install the blade cover using the 4 blade cover screws. Tighten securely.



WARNING

Make sure bottom plate is replaced before inserting the battery pack, and starting the hedge trimmer. Failure to do so will expose internal parts, which could cause an accident or electrical shock, resulting in serious injury.

NOTE: If binding occurs after replacing the blade assembly, repeat the steps under Removing the Blade and Installing the Blade.

BLADE MAINTENANCE – HEDGE TRIMMER



WARNING

Battery units do not have to be plugged into an electrical outlet; therefore, they are always in operating condition. To prevent serious personal injury, always remove the battery and take extra precautions and care when performing maintenance, service or for changing the cutting blade.



WARNING

To prevent serious personal injury, remove the battery pack before servicing, cleaning, or removing material from the unit.

BLADE CARE

- Lubricate the cutting blades after each use.
- Periodically inspect the blades for damage and wear.
- Always use the manufacturer's specified replacement blades.

TO LUBRICATE BLADE

- Remove battery pack from hedge trimmer.
- For easier operation and longer blade life, lubricate the hedge trimmer blade before and after each use. Before lubricating, remove the battery pack and lay hedge trimmer on a flat surface. Apply light weight machine oil along the edge of the top blade. See Figure 8.
- Occasionally, you should oil your hedge trimmer during use. Before oiling, stop hedge trimmer, remove battery pack, then oil. You then can resume trimming. Do not oil while hedge trimmer is running.

MAINTENANCE AND REPAIR

SHARPENING BLADE

- Allow the blades of hedge trimmer to come to a stop in the position shown in Figure 9. This will allow clearance for the file between cutter teeth and guard teeth.
- Remove battery pack from hedge trimmer.
- Clamp blade assembly in a vice and file the exposed cutting surface of each blade tooth with an 203 mm (8 inch) smooth round file, 6.4 mm (1/4 inch) or 5.6 mm (7/32 inch) diameter. Be sure to retain the original angle of tooth when filing.
- Remove the hedge trimmer from the vice, replace battery pack and restart the hedge trimmer. Allow the blades of the hedge trimmer to come to a stop so that the unsharpened edges of the cutter blade teeth are exposed.
- Remove battery pack from hedge trimmer and repeat the sharpening procedure as described above.

HEDGE TRIMMER LUBRICATION

All of the bearings in this tool are lubricated with a sufficient amount of high-grade lubricant for the life of the unit under normal operating procedures.

Therefore, no further lubrication is required.



WARNING

Do not attempt to modify this unit or create or mount any accessory not specifically recommended in this manual for use with this hedge trimmer. Any such alteration or modification is misuse and could result in a hazardous condition leading to possible serious personal injury.



WARNING

Examine hedge trimmer frequently to assure all parts are unbroken and securely attached. Make sure all screws and fasteners are securely tightened to prevent the risk of serious personal injury.

CLEANING THE HEDGE TRIMMER

- Remove the battery pack.



WARNING

To prevent serious personal injury, remove the battery pack before servicing, cleaning, or removing material from the unit.

- Clean the unit using a damp cloth with a mild detergent.
- Do not use any strong detergents on the plastic housing

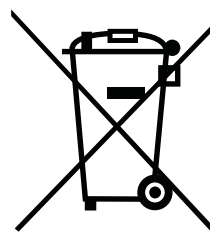
or the handle. They can be damaged by certain aromatic oils such as pine and lemon, and by solvents such as kerosene.

- Moisture can cause a shock hazard. Wipe off any moisture with a soft dry cloth.
- Use a small brush or the air discharge of a small vacuum cleaner brush to clean the air vents on the battery pack housing and motor housing.
- Keep the air vents free of obstructions.

STORING THE HEDGE TRIMMER

- Clean the hedge trimmer thoroughly before storing. Store the hedge trimmer in a dry, well-ventilated place that is inaccessible to children. Keep away from corrosive agents such as garden chemicals and de-icing salts.
- Always place blade cover on cutting blades before storing. See Figure 10.
- Store and charge your batteries in a cool area. Temperatures above or below normal room temperature will shorten battery pack life.
- Never store batteries in a discharged condition. Wait for battery pack to cool and charge immediately.
- All batteries gradually lose their charge. The higher the temperature, the quicker they lose their charge. If you store your unit for long periods of time without using it, recharge the batteries every month or two. This practice will prolong battery pack life.

DISPOSAL



Waste electrical products should not be disposed of together with household waste. Please recycle where facilities exist. Check with your local authority or retailer for recycling advice.

LIMITED WARRANTY

TTI warrants this outdoor product to be free of defects in material or workmanship for 24 months from the date of purchase by the original purchaser, subject to the limitations below. Please keep your invoice as proof of date of purchase.

This warranty is only applicable where the product is used for personal and non-commercial purposes. This warranty does not cover damage or liability caused by / due to misuse, abuse, accidental or intentional acts by user, improper handling, unreasonable use, negligence, failure by end user to follow operating procedures outlined in the user's manual, attempted repair by non-qualified professional, unauthorized repair, modification, or use of accessories and/or attachments not specifically recommended by authorized party.

This warranty does not cover belts, brushes, bags, bulbs or any part which ordinary wear and tear results in required replacement during warranty period. Unless specifically provided under applicable law, this warranty does not cover transportation cost or consumable items such as fuses.

This limited warranty is void if the product's original identification (trade mark, serial number, etc.) markings have been defaced, altered or removed or if product is not purchased from an authorized reseller or if product is sold AS IS and / or WITH ALL FAULTS.

Subject to all applicable local regulations, the provisions of this limited warranty are in lieu of any other written warranty, whether express or implied, written or oral, including any warranty of MERCHANTABILITY OR FITNESS FOR A PARTICULAR PURPOSE. IN NO EVENT SHALL WE BE LIABLE FOR SPECIAL, INCIDENTAL, CONSEQUENTIAL OR INCIDENTAL DAMAGES. OUR MAXIMUM LIABILITY SHALL NOT EXCEED THE ACTUAL PURCHASE PRICE PAID BY YOU FOR THE PRODUCT.

This warranty is valid only in the European Union, Australia and New Zealand. Outside these areas, please contact your authorized Ryobi dealer to determine if another warranty applies.

18V

Sound pressure level:	LpA=71dB(A), KpA=3 dB(A)
Sound power level:	LwA=91dB(A), KwA=3 dB(A)
Weighted root mean square acceleration value:	1.0m/s ² , K=1.5 m/s ²
Date of Issuance	
Issued by	

DECLARATION OF CONFORMITY

We declare under our sole responsibility that this product is in conformity with the following standards or standardized documents.

98/37/EC, 89/336/EEC, 2000/14/EC GUARANTEE

DECLARATION OF CONFORMITY

We declare under our sole responsibility that this product is in conformity with the following standards or standardized documents.

98/37/EC, 89/336/EEC, 2000/14/EC GUARANTEE

Technical documents are kept by Homelite Far East Co., Ltd. 24/F, 388 Castle Peak Road, Tsuen Wan, Hong Kong.

RYOBI TECHNOLOGIES (UK) LIMITED.

Medina House, Fieldhouse Lane, Marlow,
Buckinghamshire, SL7 1TB,
UNITED KINGDOM
Tel: + 44 (0) 1628 894400
Fax: + 44 (0) 1628 894401
Technical Helpline: +44 (0) 800 389 0305

RYOBI TECHNOLOGIES SAS

Immeuble Le Grand Roissy
Z.A. du Gué - 35 rue de Guivry
77990 LE MESNIL AMELOT FRANCE
Phone: + 33 (0)1 60 94 69 70
Fax: + 33 (0)1 60 94 69 79

RYOBI BELGIUM

Avenue des Pâquerettes, 55
Zoning artisanal - bâtiment 5
B - 1410 Waterloo
BELGIQUE
Tel : + 32 (0) 2 357 81 40
Fax : + 32 (0) 2 357 81 49

RYOBI ITALIA

Via Vincenzo Borelli, 13
I - 41100 Modena
ITALIA
Tel : + 39 (0) 59 23 84 08
Fax : + 39 (0) 59 24 69 60

RYOBI IBÉRICA

Avenida de la Industria 52
28820 Coslada - Madrid
ESPANA
Tel : + 34 (0) 91 627 93 26
Fax : + 34 (0) 91 627 93 29

TECHTRONIC INDUSTRIES (ASIA) CO. LTD.

24/F, CDW Building,
388 Castle Peak Road,
Tsuen Wan, Hong Kong.
Tel : + 852 2402 6888

RYOBI TECHNOLOGIES GMBH

Itterpark 4
D-40724 Hilden
DEUTSCHLAND
Tel: + 49 (0) 2103 2958-0
Fax: + 49 (0) 2103 2958-29

RYOBI TECHNOLOGIES GMBH

Vertriebsbüro Österreich
Schinitzgasse 13
A-8605 Kapfenberg
Tel.: + 43 (0) 3862 23590-0
Fax: + 43 (0) 3862 23590-25

TECHTRONIC INDUSTRIES AUSTRALIA PTY LIMITED.

Building B, Rosehill Industrial Estate,
3 Shirley Street,
Rosehill NSW 2142
AUSTRALIA
Tel: (02) 8892 1800 or 1300 361 505
Fax: 1800 807 993

TECHTRONIC INDUSTRIES (NZ) LIMITED.

27 Clemow Drive, Mt Wellington
PO Box 12-806, Penrose, Auckland
NEW ZEALAND
Tel: + 64 (0) 9 573 0230 Free Call: +64 0800 279 624
Fax: + 64 (0) 9 573 0231

A&M MIDDLE EAST FZCO

P.O.Box 61254
Jedel Ali, Dubai,
UNITED ARAB EMIRATES
Tel.: + 971 4 8861399
Fax: + 971 4 8861400

Machine: **CORDLESS HEDGE TRIMMER**

Name of company: Homelite Far East Co., Ltd.
Address: 24/F, CDW Building,
388 Castle Peak Road,
Tsuen Wan, Hong Kong.

Type: **OHT1850**

Name/Title: Andrew Eyre
Vice President, Engineering

Signature:

